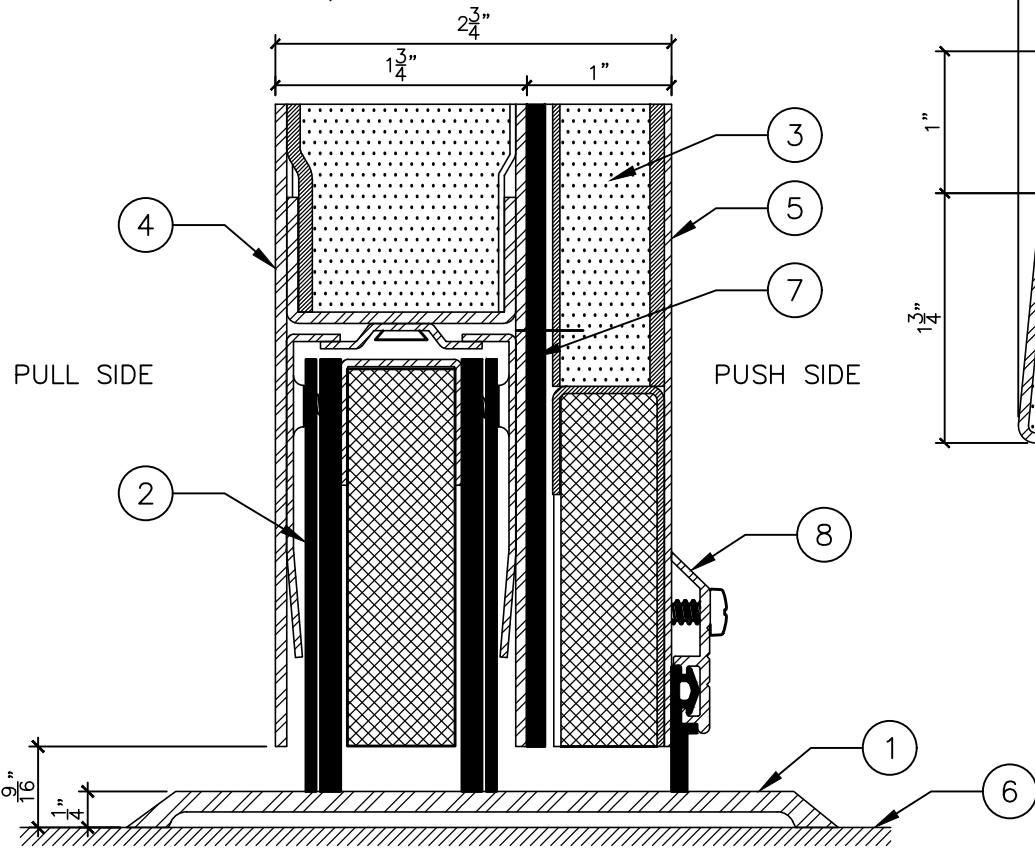


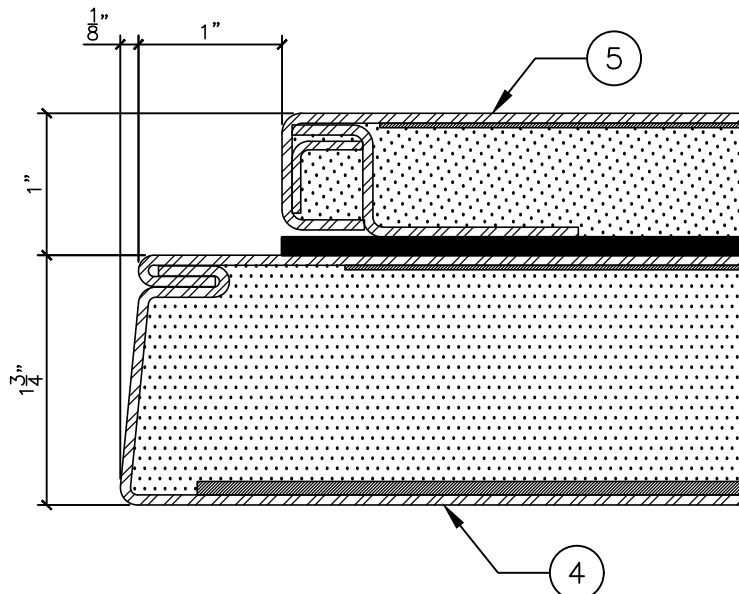
TOP DETAIL

3/4" = 1"



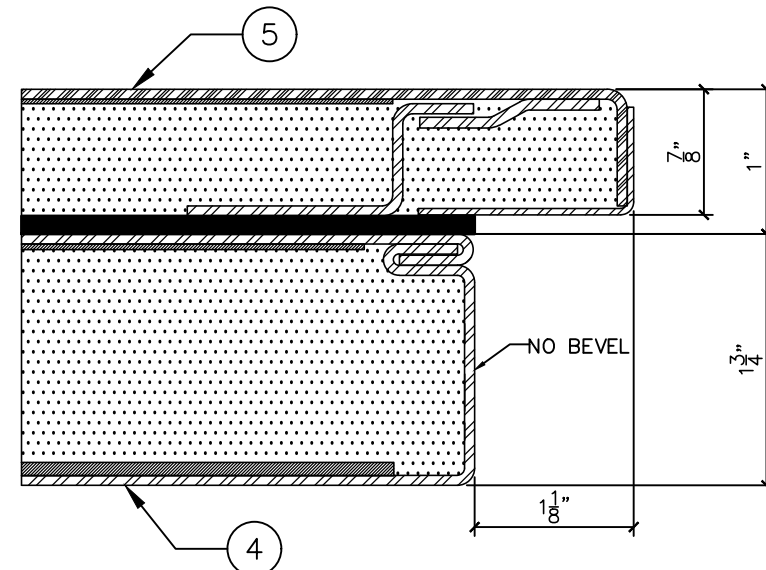
DOOR BOTTOM DETAIL

3/4" = 1"



HINGE EDGE DETAIL

3/4" = 1"



LATCH/MEETING EDGE DETAIL

3/4" = 1"

LEGEND:

1. 1/4" HIGH X 5" WIDE ACOUSTIC THRESHOLD.
2. MORTISED FIXED DOOR BOTTOM SEAL.
3. ACOUSTIC CORE.
4. ACOUSTIC FRONT PANEL.
5. ACOUSTIC BACK PANEL.
6. FINISHED FLOOR COVERING MATERIAL.
7. ACOUSTIC BARRIER.
8. SURFACE APPLIED SWEEP SEAL.

NOTES:

- APPROXIMATE DOOR WEIGHT IS 23LB/SQ.FT
- DOORS TO BE PREPARED FOR CAMLIFT HINGES. HINGES SUPPLIED LOOSE BY AMBICO.



DRAWING TITLE:

**ACOUSTIC STEEL DOOR AND DOOR BOTTOM
STC 56-59 PAIRS**

DATE: 2022-09-23

DRAWN BY: GV

REVISION: 1