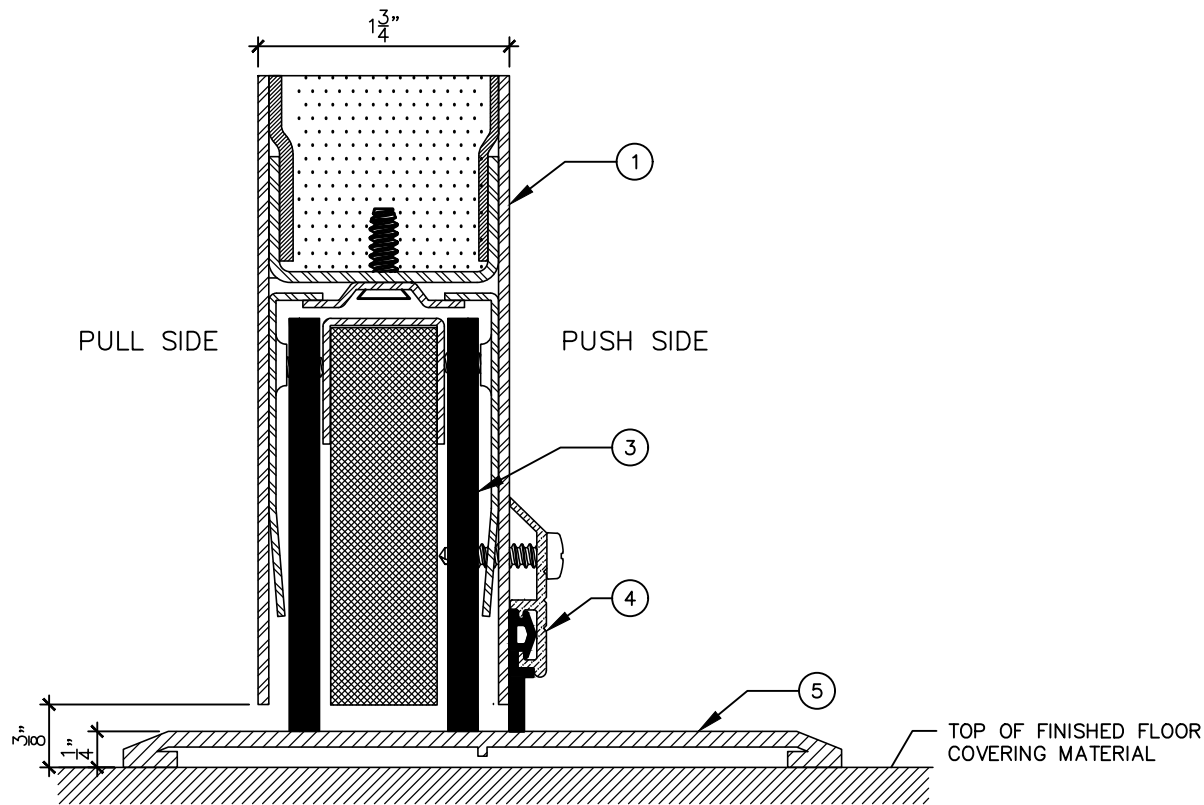


TOP DETAIL

3/4" = 1"

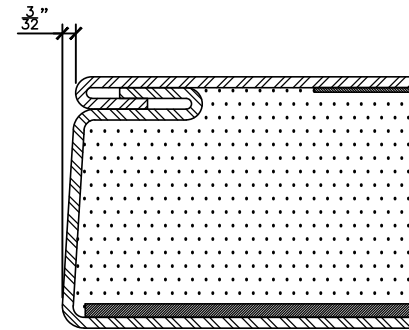


DOOR BOTTOM DETAIL

3/4" = 1"

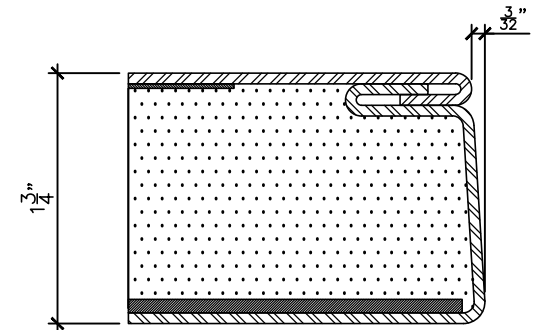
LEGEND:

1. ACOUSTIC STEEL DOOR
2. ACOUSTIC CORE.
3. FULLY MORTISED ACOUSTIC DOOR BOTTOM SEAL.
4. SURFACE MOUNTED SWEEP SEAL – SHIPPED LOOSE.
5. 1/4" HIGH ACOUSTIC THRESHOLD X 5" WIDE TO BE INSTALLED AT TOP LEVEL OF FINISHED FLOOR COVERING MATERIAL.



HINGE EDGE DETAIL

3/4" = 1"



LATCH EDGE DETAIL

3/4" = 1"

NOTES:

- TOP MUST BE SEAMLESS.
- EDGES MUST BE SEAMLESS OR FULLY WELDED
- DOORS TO BE PREPARED FOR CAMLIFT HINGES. HINGES SUPPLIED LOOSE BY AMBICO..



DRAWING TITLE:

**ACOUSTIC STEEL DOOR AND DOOR BOTTOM
STC53**

DATE: 2022-09-23

DRAWN BY: GV

REVISION: 1