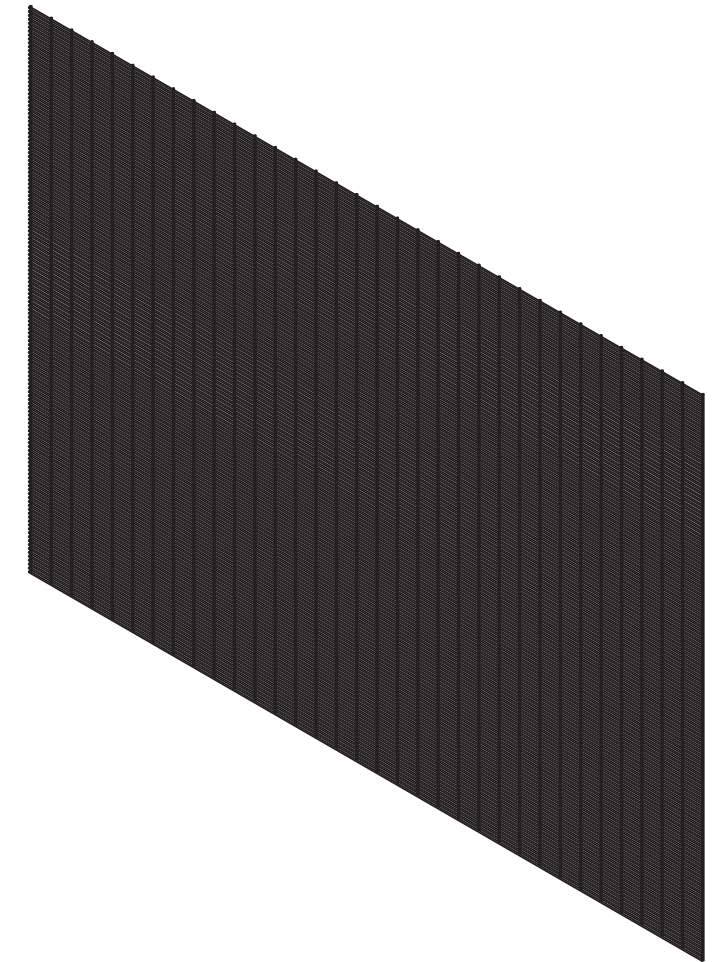
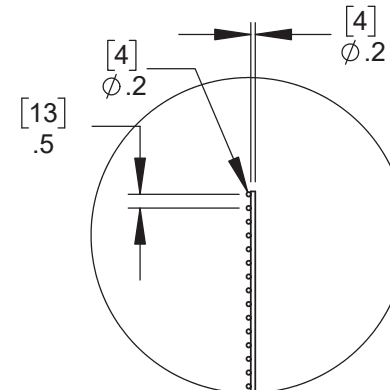
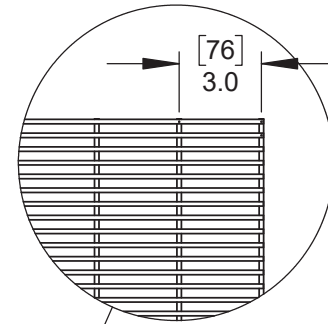
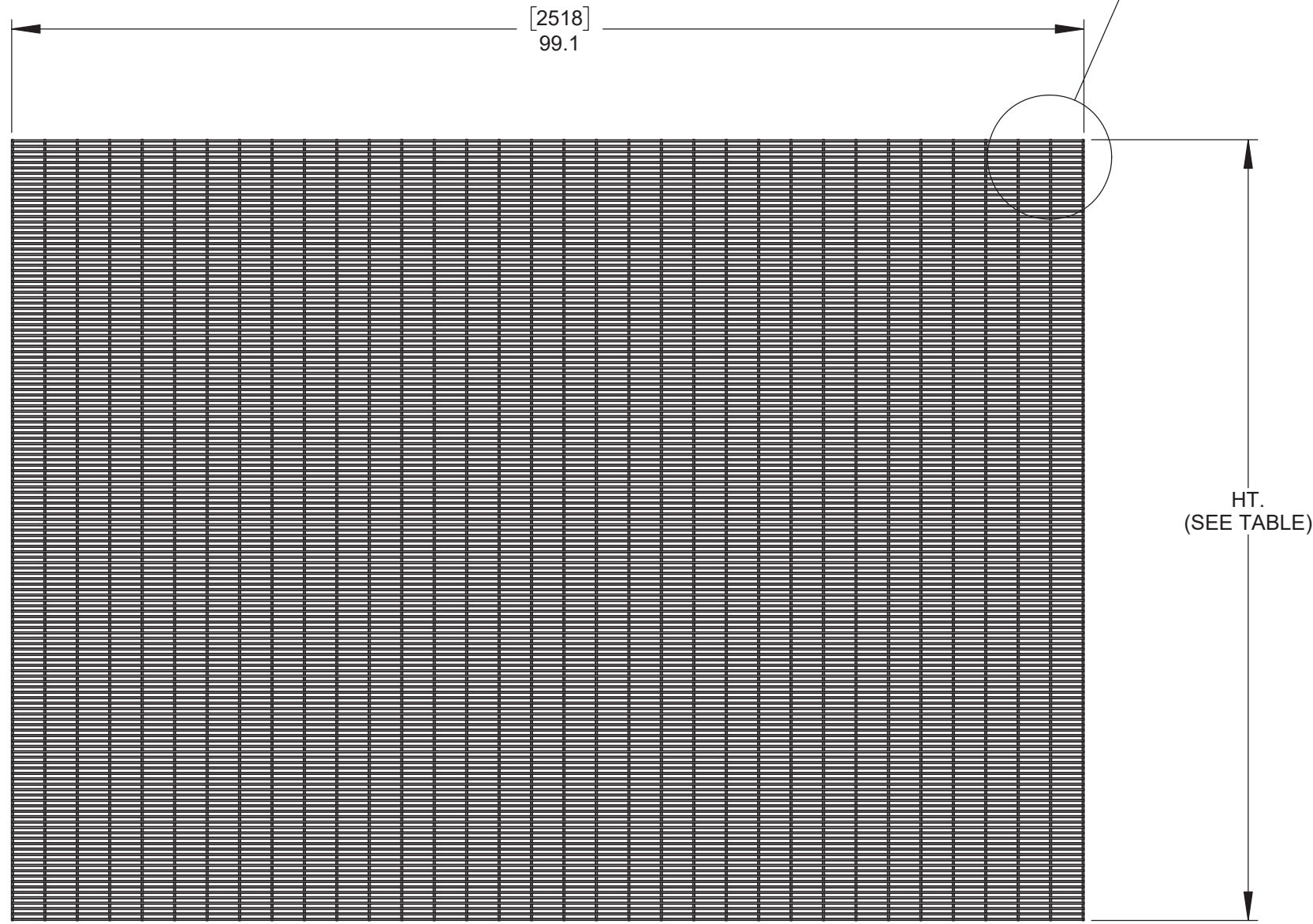


DETAIL A

DETAIL B



	<u>HT.</u>
4' [1.2M]	48.7 [1236]
6' [1.8M]	72.2 [1833].
8' [2.4M]	95.7 [2430]

Description:		RAMPART 358 - SECURITY	
		WELDED WIRE PANEL	
Material			
Finish:		POWDER COAT BLACK	Date:
			11/6/2019
Drawing No.		Rev.	Sheet:
RAMPART 358			1 of 1



115 Lawson Crescent
 Winnipeg, Manitoba, Canada, R3P 1A6
 Phone: 1-866-300-1110
 Fax: 1-204-284-1868
 Web: www.wallaceperimetersecurity.com