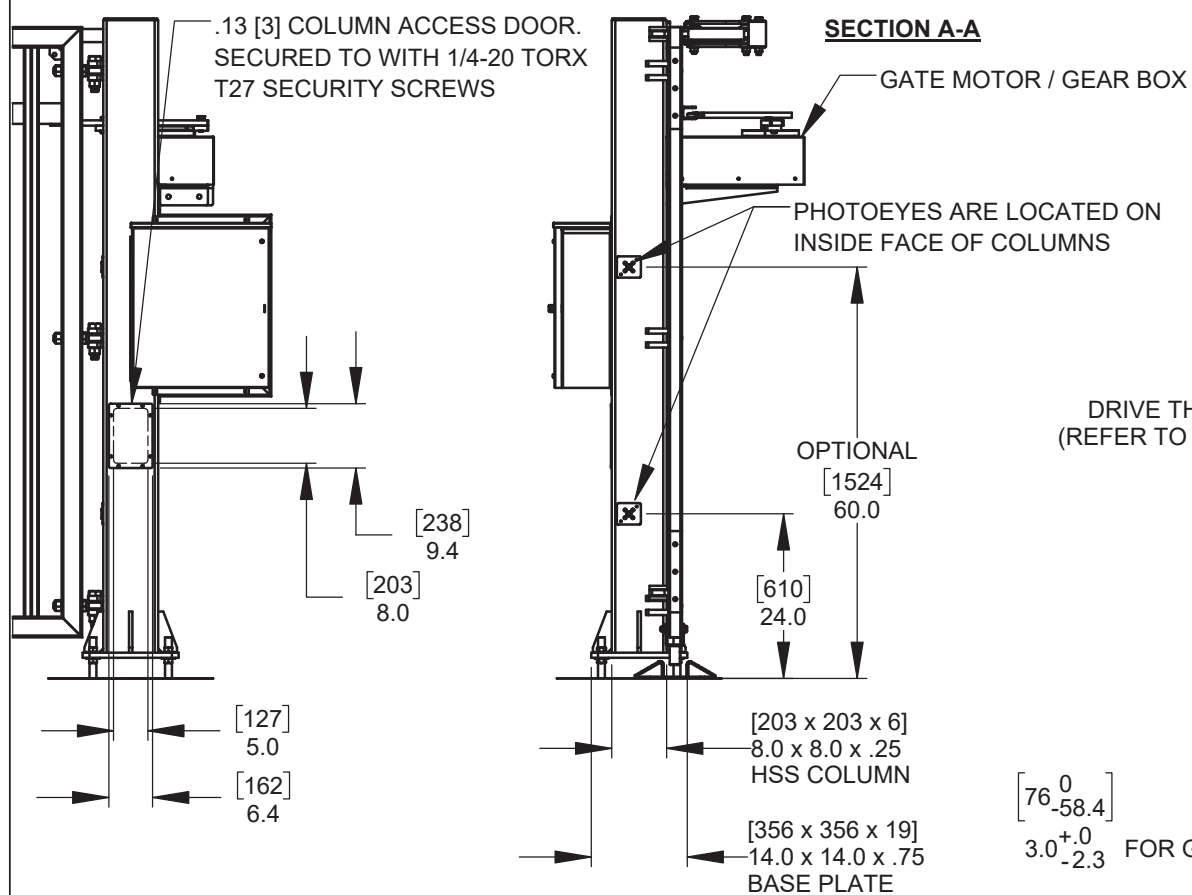


**DETAIL A - VERTICAL PANEL CATCH**

.13 [3] STEEL CATCH — NYLON CATCH BLOCK

ELECTRICAL CONTROLLERS ARE MOUNTED IN A 24" [610] x 20" [508] x 8 [203] NEMA 3R ENCLOSURE. (1 PER GATE OPERATOR)  
**POWER REQUIREMENTS: 115VAC / 230 VAC, SINGLE PHASE, 20A**  
 ENCLOSURES MUST BE MOUNTED WITHIN 10' [3048] OF GATE MOTOR / GEAR BOX.  
 ENCLOSURES ARE SHOWN IN RECOMMENDED COLUMN MOUNTING LOCATION USING SUPPLIED MOUNTING BRACKETS.

CLEAR OPENING WIDTH 6' [1829] HT. 12' [3658] MIN. - 30' [9144] MAX.  
 8' [2438] HT. 12' [3658] MIN. - 26' [7925] MAX.  
 10' [3048] HT. 12' [3658] MIN. - 18' [5486] MAX.



DRIVE THRU HEIGHTS (REFER TO CHART BELOW)

[76<sup>0</sup><sub>-58.4</sub>] 6.0 FOR GATE LEVELING

MANUAL OPERATION RELEASE POINT REFER TO SHEET 3

OPTION GROUND CATCH REFER TO SHEET 3

COLUMNS  $\varnothing$  TO  $\varnothing$  = CLEAR OPENING + 32.0 [813]

O.A. GATE WIDTH = CLEAR OPENING + 56.2 [1427]

**NOTES:**

DIMENSIONS ARE IN INCHES, DIMENSIONS SHOWN IN [ ] ARE IN MILLIMETERS.

**FINISH NOTES:**

STANDARD FINISH: HOT DIPPED GALVANIZED ON ALL STEEL COMPONENTS

OPTIONAL FINISH: POWDER COAT PAINT, CUSTOM COLORS AVAILABLE RAL # MUST BE SPECIFIED AT TIME OF ORDER

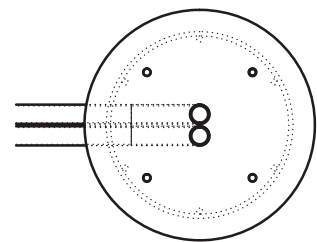
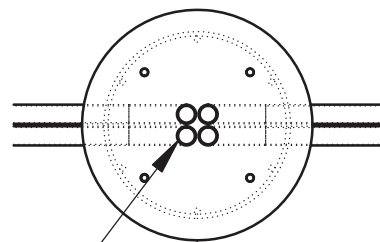
**DRIVE THRU HEIGHTS**

6ft	72" [1829]
8ft	96" [2438]
10ft	120" [3048]



115 Lowson Crescent  
 Winnipeg, Manitoba, Canada, R3P 1A6  
 Phone: 1-866-300-1110  
 Fax: 1-204-284-1868  
 Web: www.wallaceperimetersecurity.com

Description: <b>FOLDSMART XT TRACKLESS BI-FOLDING GATE SYSTEM STANDARD DIMENSIONS</b>		
Customer / Project Name:		
Finish: <b>SEE FINISH NOTES</b>	Date: <b>4/13/2020</b>	
Drawing No. <b>FSXT-01-30-19</b>	Rev. <b>A</b>	Sheet: <b>1 of 5</b>



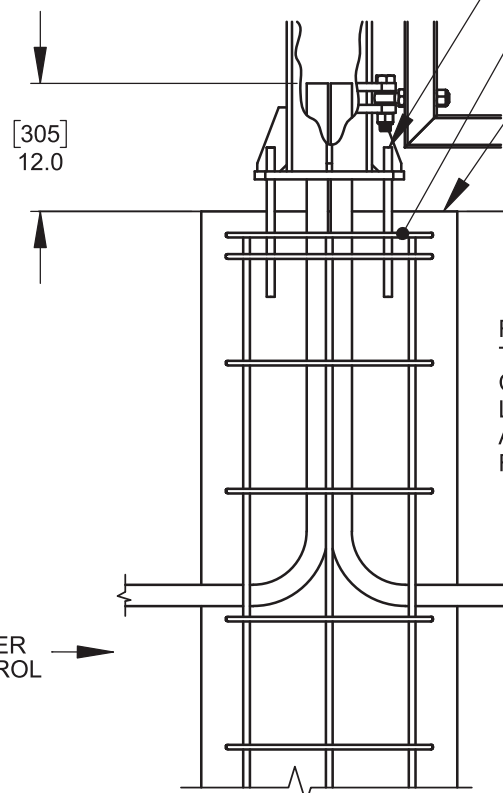
**NOTE:**  
PRIMARY COLUMN IS THE COLUMN WITH INCOMING POWER AND ACCESS CONTROL CONDUIT.

4 PCES. 1" [25] CONDUIT - BY OTHERS  
2 IN PRIMARY COLUMN, FROM INCOMING POWER SUPPLY / ACCESS CONTROL.  
2 IN SECONDARY COLUMN FROM PRIMARY COLUMN.

.75" [19] HILTI HAS 5.8 x 17" [432] ANCHOR BOLTS  
ADHESIVE: HILTI HVU OR APPROVED EQUIVALENT

REINFORCING STEEL:  
10M  $\phi$  19 [493] REBAR RINGS SPACED @ 12 [305] O/C  
DOUBLE RINGS AT TOP. 8 - 15M REBAR VERTICALS

CONCRETE TYPE 50 32 Mpa OR LOCAL EQUIVALENT. THE TOP 72.0 [1828] OF FOUNDATION TO BE ENCASED IN  $\phi$  24.0" [610] SONO TUBE.  
RECOMMENDED FOUNDATION DEPTH IS 36.0 [914] BELOW LOCAL FROST LINE.  
MINIMUM FOUNDATION DEPTH 96.0" [2438]



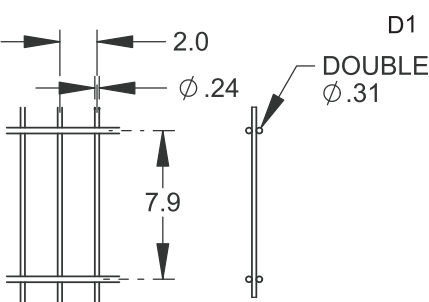
RECOMMENDED CONDUIT DEPTH 36.0 [914] TO SUIT FACTORY SUPPLIED WIRE HARNESS  
CONDUIT DEPTH CAN BE INCREASED TO SUIT LOCAL CODE REQUIREMENTS. MUST BE SPECIFIED AT TIME OF ORDER. REFER TO CONTROLLER NOTE FOR MAX. WIRE HARNESS LENGTH.

INCOMING POWER / ACCESS CONTROL

TO SECONDARY GATE COLUMN

**DETAIL B - COLUMN FOUNDATIONS**

**DETAIL D1**



DOUBLE  $\phi$  .31

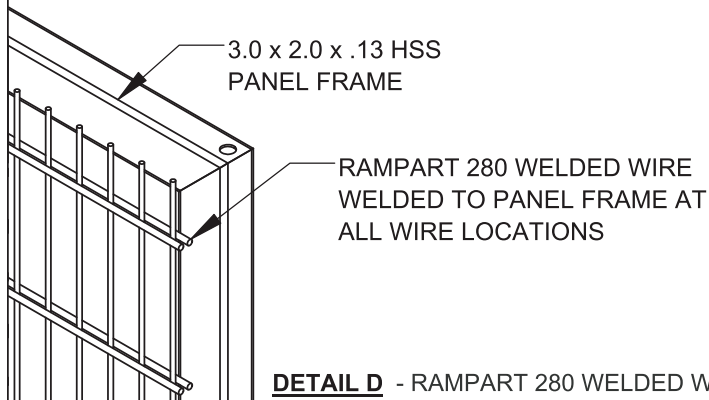
2.0

$\phi$  .24

7.9

GATES LARGER THAN 20' [6M] WILL HAVE ADDITIONAL VERTICAL 2.0 [51] x 3.0 [76] x .13 [3] HSS WELDED @  $\phi$  OF PANEL

**DETAIL D2**



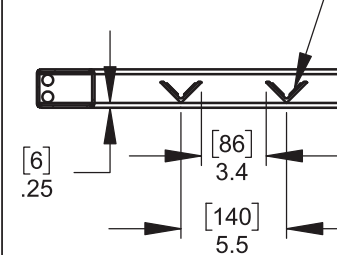
3.0 x 2.0 x .13 HSS PANEL FRAME

RAMPART 280 WELDED WIRE WELDED TO PANEL FRAME AT ALL WIRE LOCATIONS

**DETAIL D - RAMPART 280 WELDED WIRE INFILL**

**DETAIL E1**

PICKETS ARE WELDED TO GATE PANEL ON INNER FACE OF PICKET



[6]

.25

[86]

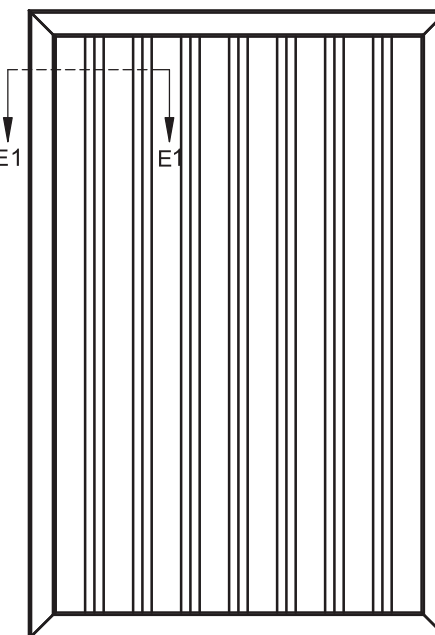
3.4

[140]

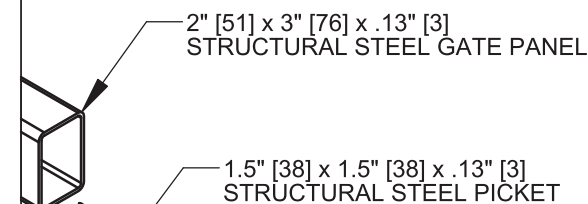
5.5

E1

E1



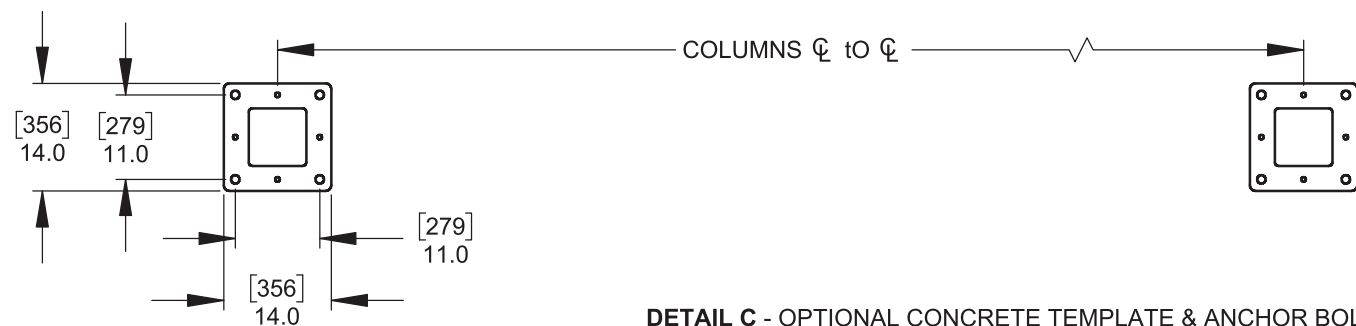
**DETAIL E2**



2" [51] x 3" [76] x .13" [3] STRUCTURAL STEEL GATE PANEL

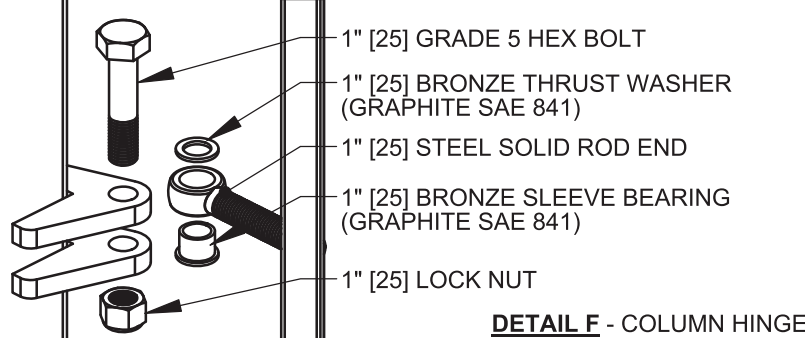
1.5" [38] x 1.5" [38] x .13" [3] STRUCTURAL STEEL PICKET

**DETAIL E - VERTICAL PICKET INFILL**



COLUMNS  $\phi$  TO  $\phi$

**DETAIL C - OPTIONAL CONCRETE TEMPLATE & ANCHOR BOLT KIT**



1" [25] GRADE 5 HEX BOLT

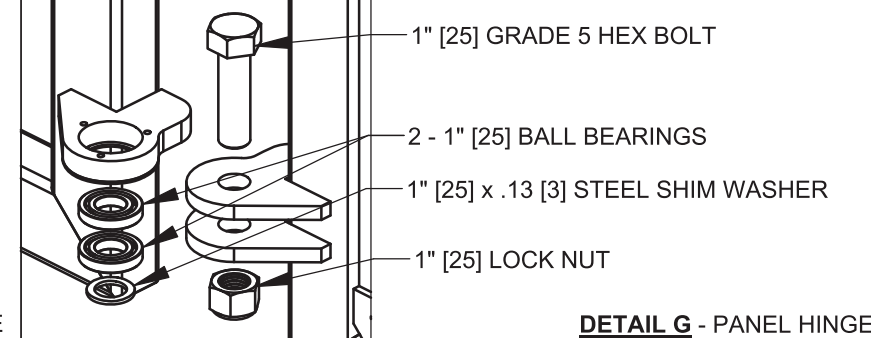
1" [25] BRONZE THRUST WASHER (GRAPHITE SAE 841)

1" [25] STEEL SOLID ROD END

1" [25] BRONZE SLEEVE BEARING (GRAPHITE SAE 841)

1" [25] LOCK NUT

**DETAIL F - COLUMN HINGE**



1" [25] GRADE 5 HEX BOLT

2 - 1" [25] BALL BEARINGS

1" [25] x .13 [3] STEEL SHIM WASHER

1" [25] LOCK NUT

**DETAIL G - PANEL HINGE**

**INCLUDED WITH FOLDSMART**

- 2 - ELECTRICAL OPERATORS MOUNTED IN 24" [610] x 20" [508] x 8" [203] NEMA 3R ENCLOSURES.
- KEY FOR MANUAL PANEL RELEASE

**OPTIONS:**

- CONCRETE TEMPLATE & ANCHOR BOLT KIT
- VEHICLE DETECTION LOOP RELAYS
- VEHICLE DETECTION LOOPS, DIRECT BURIAL OR SAW CUT
- SURFACE MOUNTED CENTER CATCH
- 4" [102] RED / GREEN LED TRAFFIC LIGHT
- AMBER STROBE LIGHT
- ALUMINUM SERRATED ANTI - CLIMB
- BARBED WIRE

Description:  
**FOLDSMART XT TRACKLESS BI-FOLDING GATE SYSTEM STANDARD DIMENSIONS**

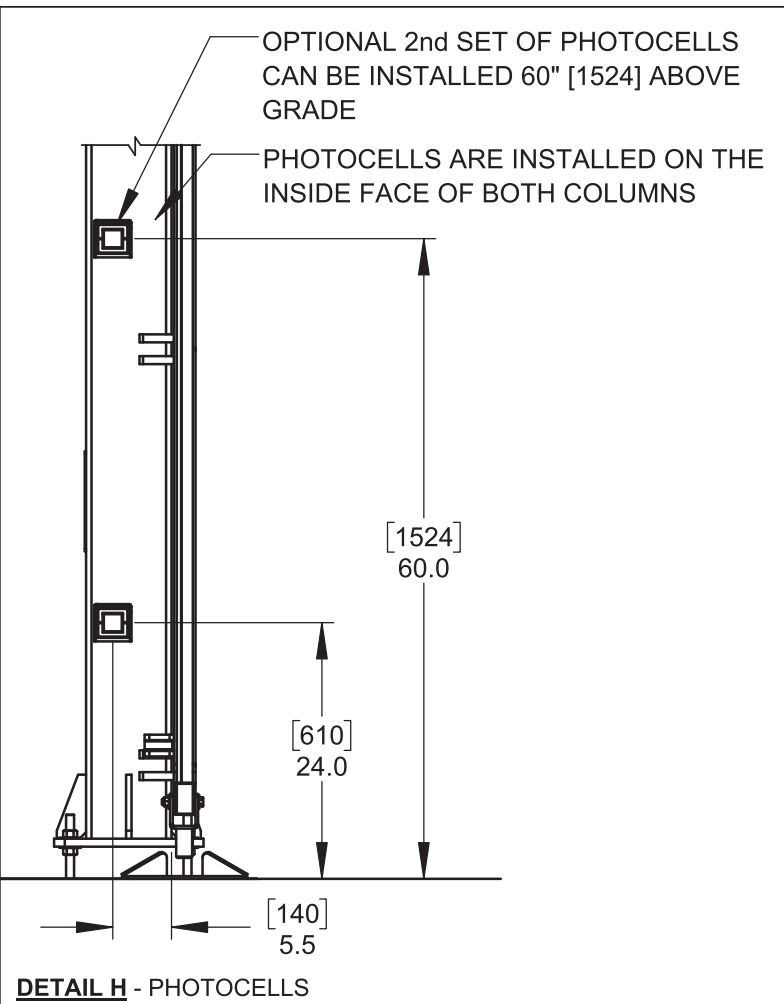
Customer / Project Name:

Finish:  
**SEE SHEET 1**

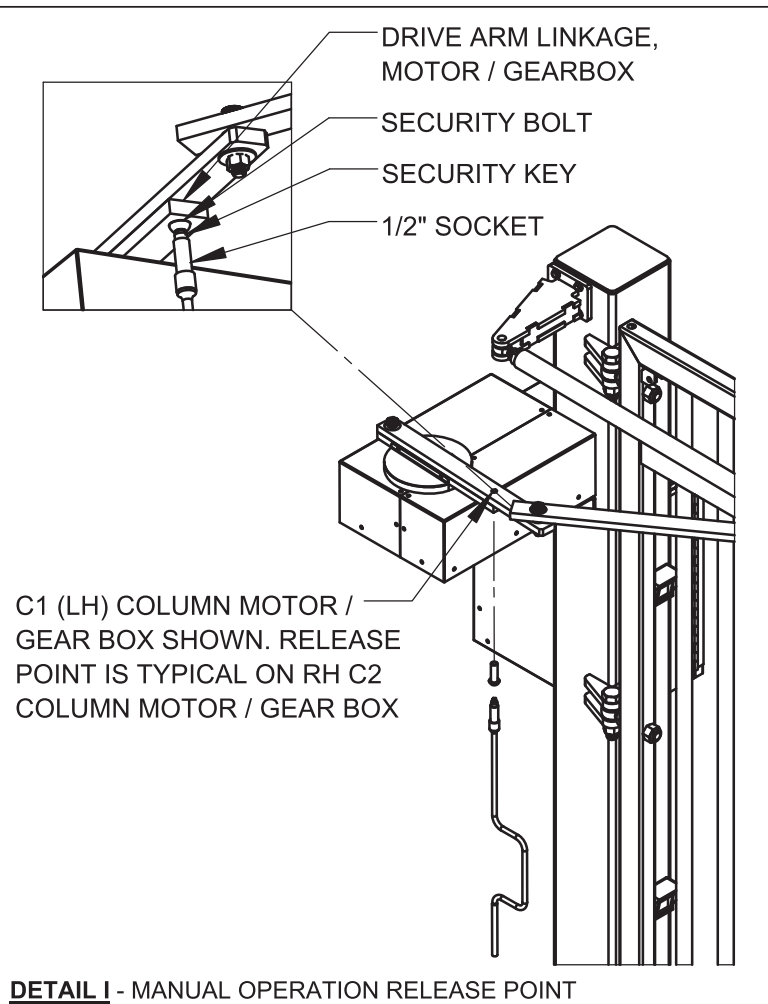
Date:  
**1/30/2019**

Drawing No. **FSXT-01-30-19** Rev. **A** Sheet: **2 of 6**

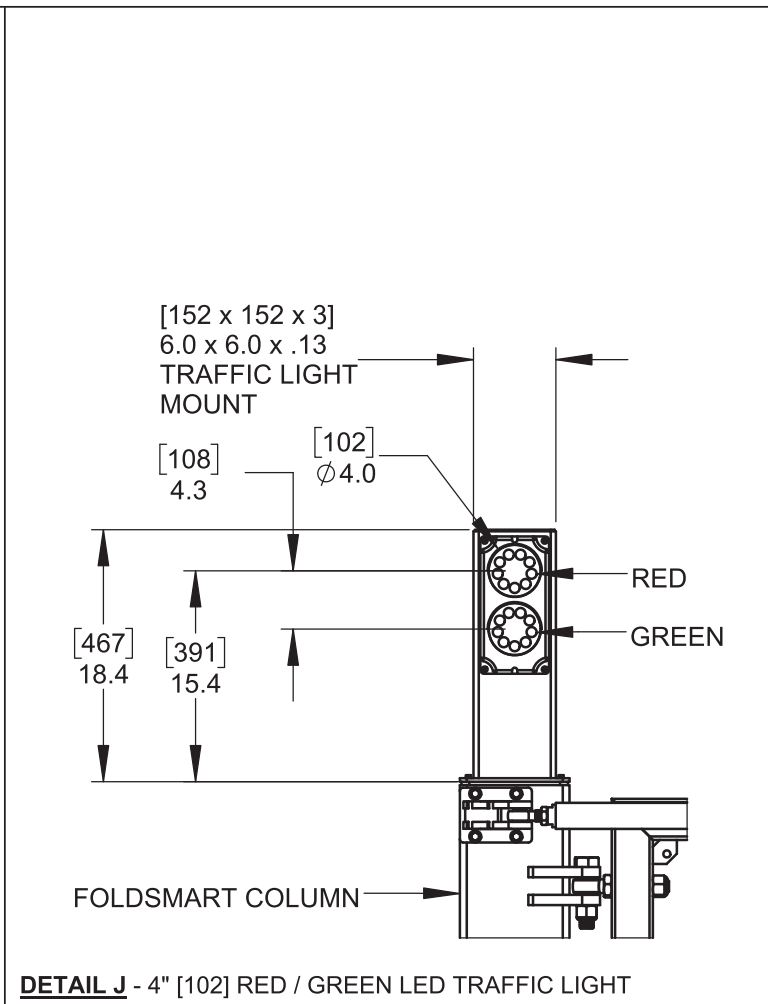
115 Lowson Crescent  
Winnipeg, Manitoba, Canada, R3P 1A6  
Phone: 1-866-300-1110  
Fax: 1-204-284-1868  
Web: www.wallaceperimetersecurity.com



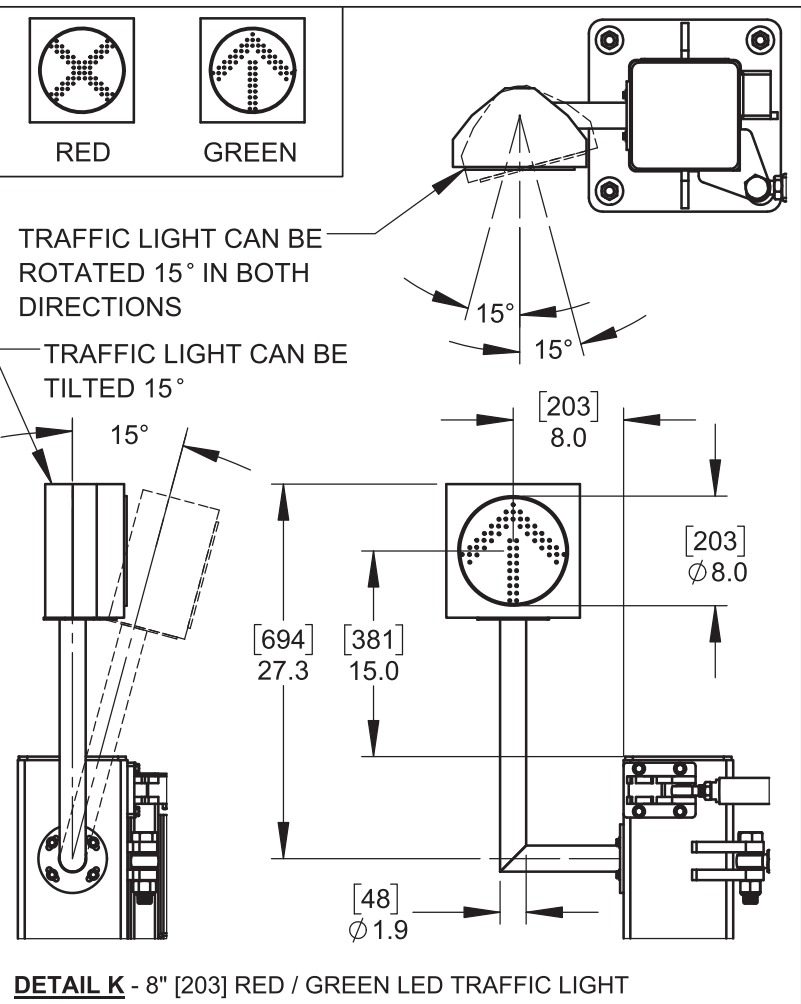
**DETAIL H** - PHOTOCELLS



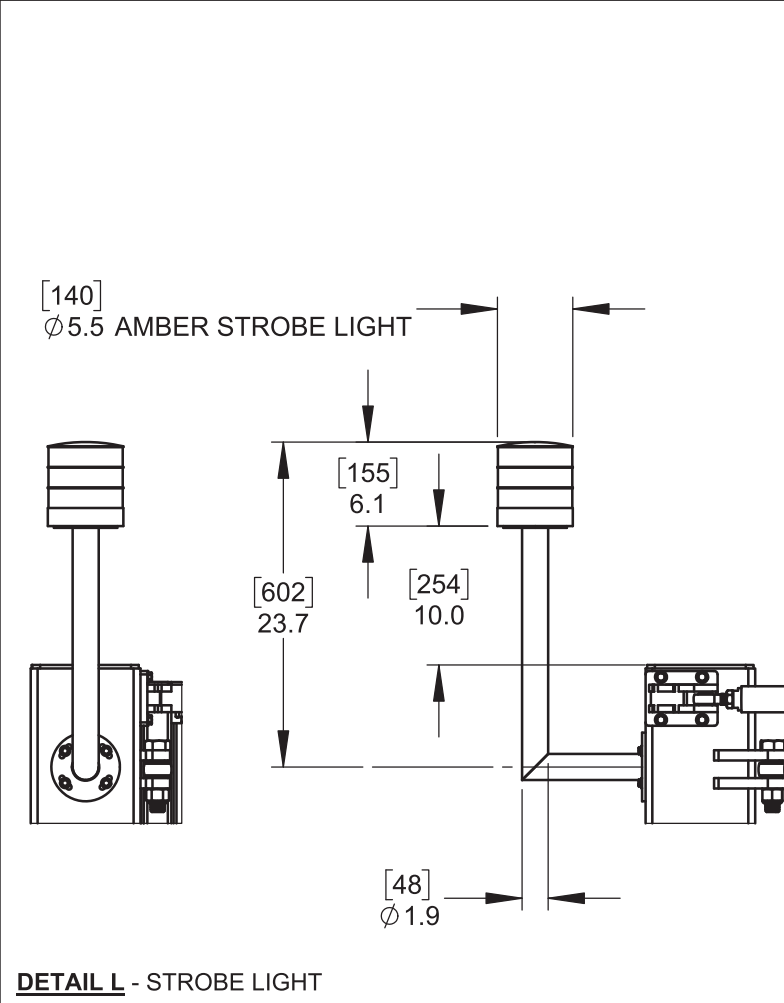
**DETAIL I** - MANUAL OPERATION RELEASE POINT



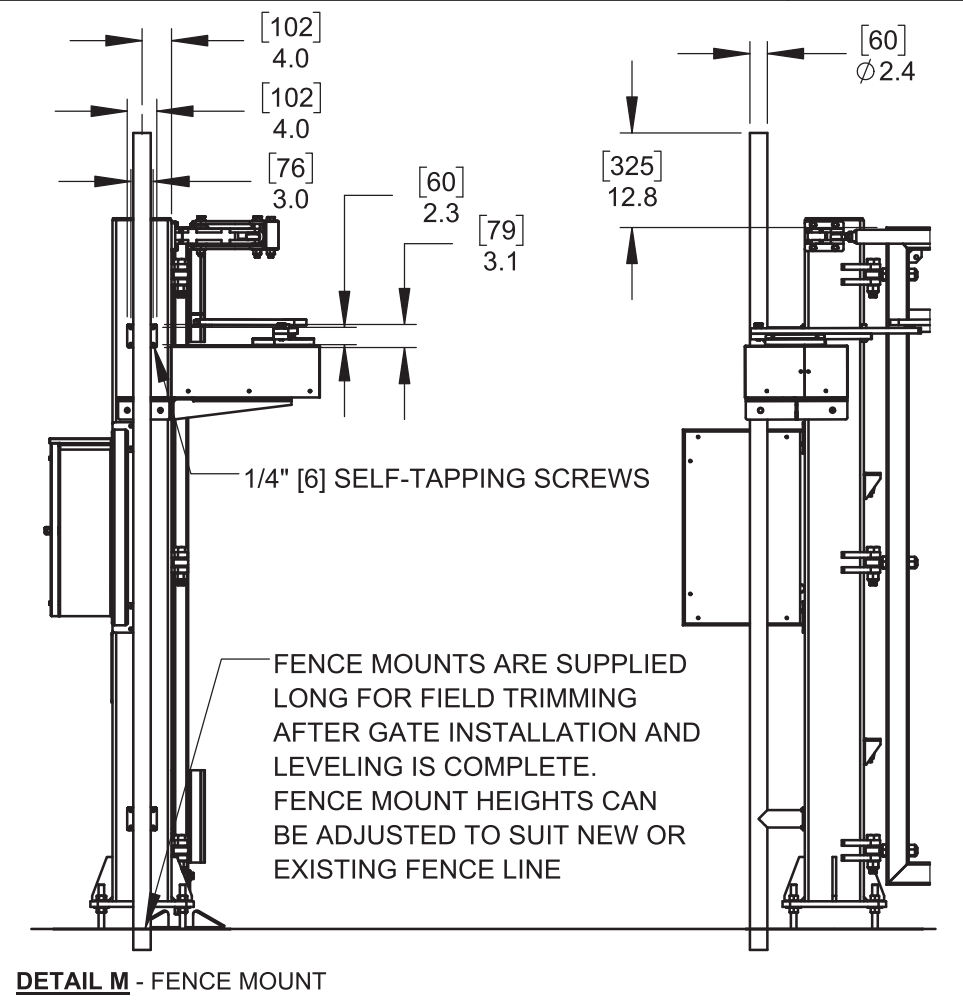
**DETAIL J** - 4" [102] RED / GREEN LED TRAFFIC LIGHT



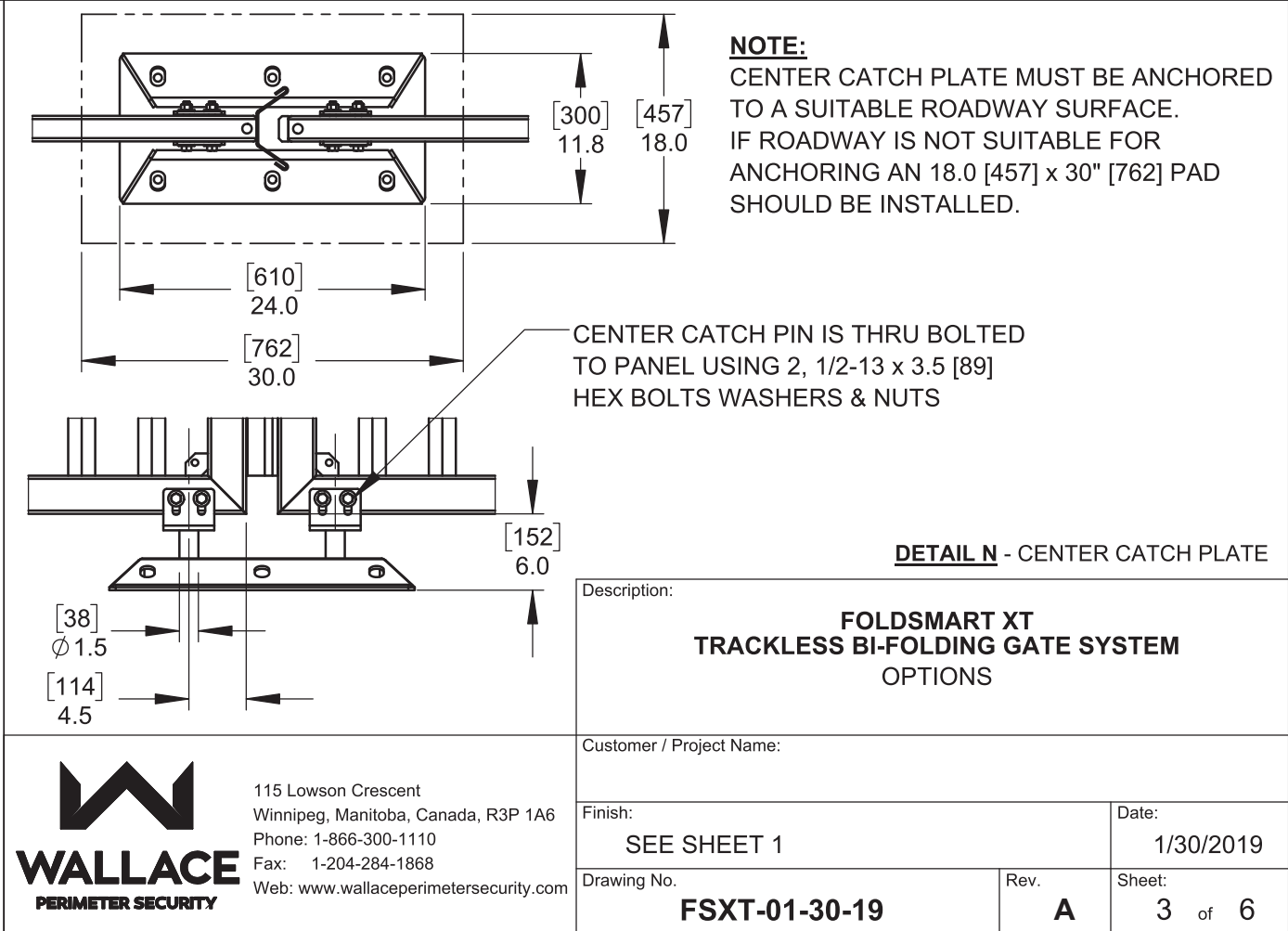
**DETAIL K** - 8" [203] RED / GREEN LED TRAFFIC LIGHT



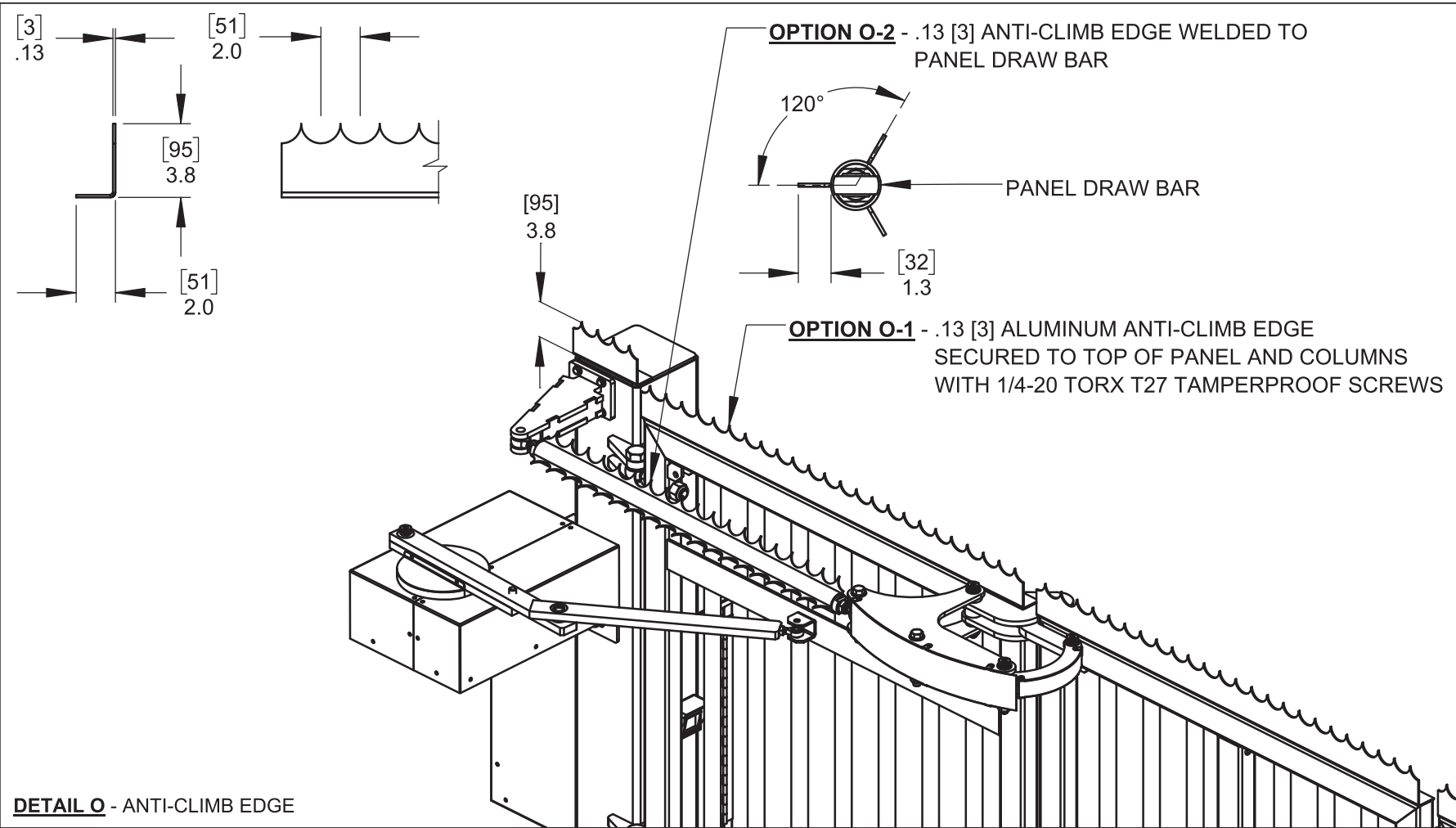
**DETAIL L** - STROBE LIGHT



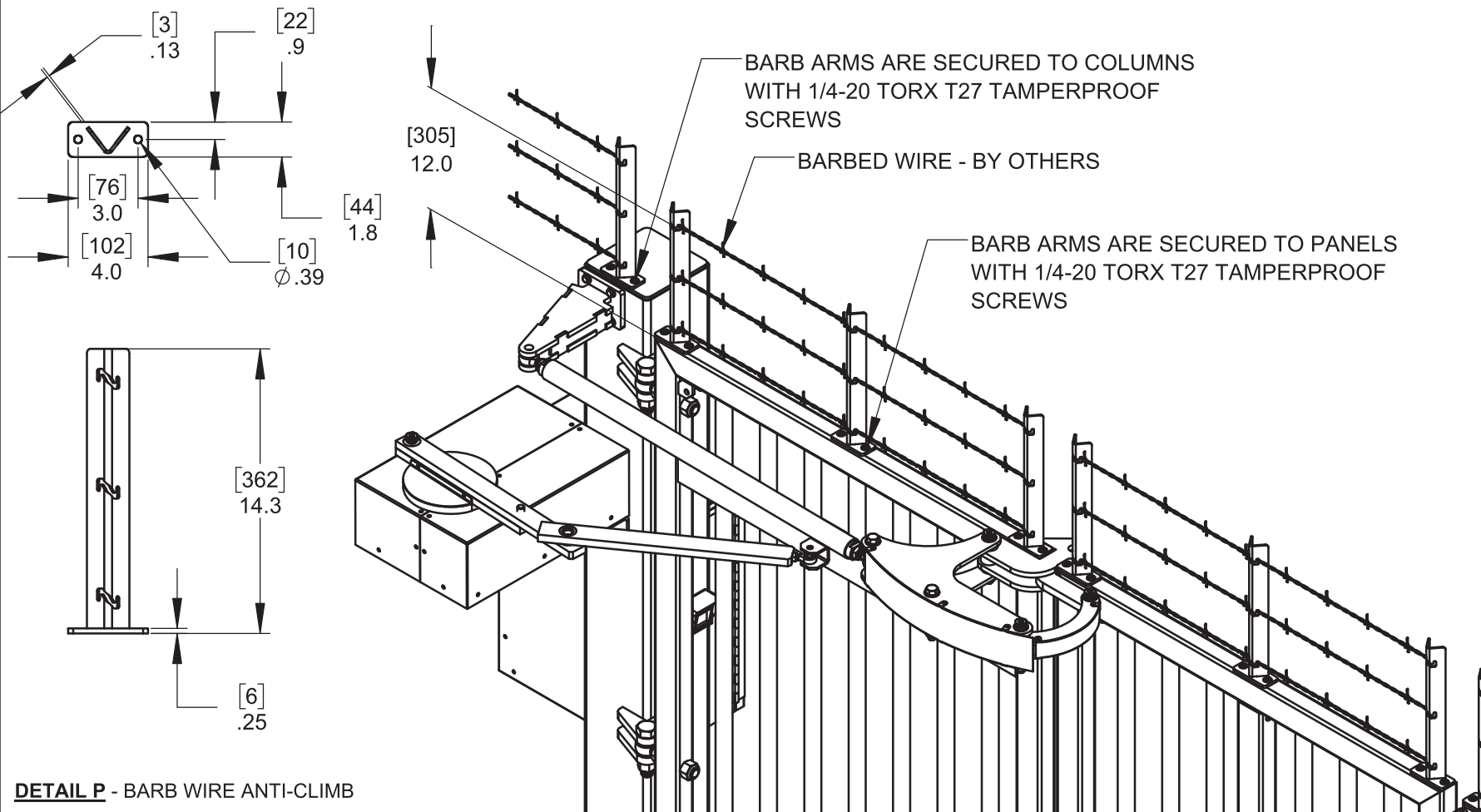
**DETAIL M** - FENCE MOUNT



115 Lowson Crescent  
Winnipeg, Manitoba, Canada, R3P 1A6  
Phone: 1-866-300-1110  
Fax: 1-204-284-1868  
Web: www.wallaceperimetersecurity.com



**DETAIL O - ANTI-CLIMB EDGE**

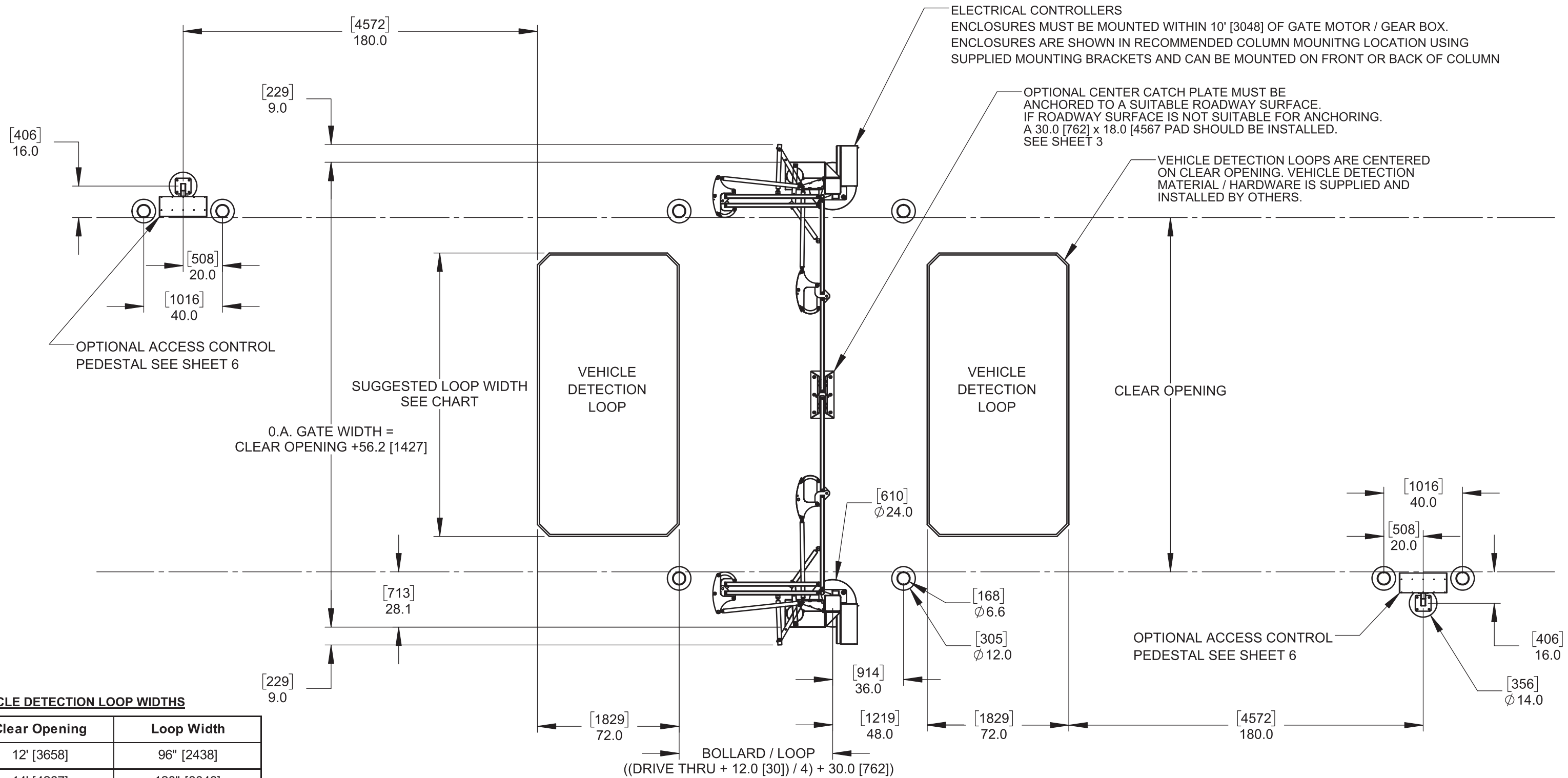


**DETAIL P - BARB WIRE ANTI-CLIMB**



115 Lawson Crescent  
 Winnipeg, Manitoba, Canada, R3P 1A6  
 Phone: 1-866-300-1110  
 Fax: 1-204-284-1868  
 Web: www.wallaceperimetersecurity.com

Description:		
<b>FOLDSMART XT TRACKLESS BI-FOLDING GATE SYSTEM OPTIONS</b>		
Customer / Project Name:		
Finish:	Date:	
SEE SHEET 1	1/30/2019	
Drawing No.	Rev.	Sheet:
<b>FSXT-01-30-19</b>	<b>A</b>	4 of 6



**VEHICLE DETECTION LOOP WIDTHS**

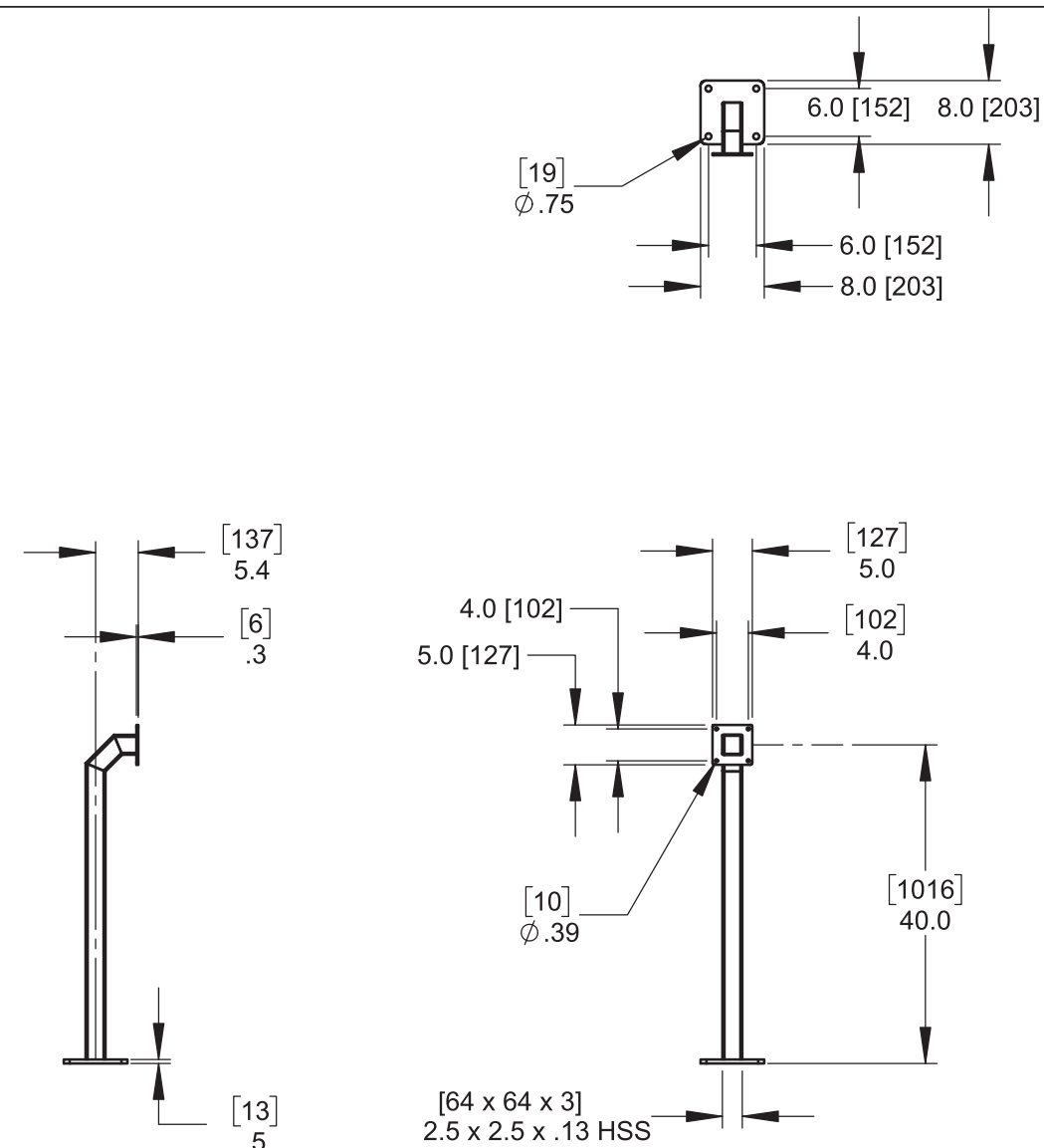
Clear Opening	Loop Width
12' [3658]	96" [2438]
14' [4267]	120" [3048]
16' [4877]	144" [3658]
18' [5486]	168" [4267]
20' [6096]	192" [4877]
22' [6706]	216" [5486]
24' [7315]	240" [6096]
26' [7925]	264" [6706]
28' [8534]	288" [7315]
30' [9144]	312" [7925]

**NOTE:**  
BOLLARDS ARE SHOWN AS A REFERENCE ONLY. ALL FINAL DIMENSIONS  
AND MATERIALS ARE SUPPLIED AND INSTALLED BY OTHERS

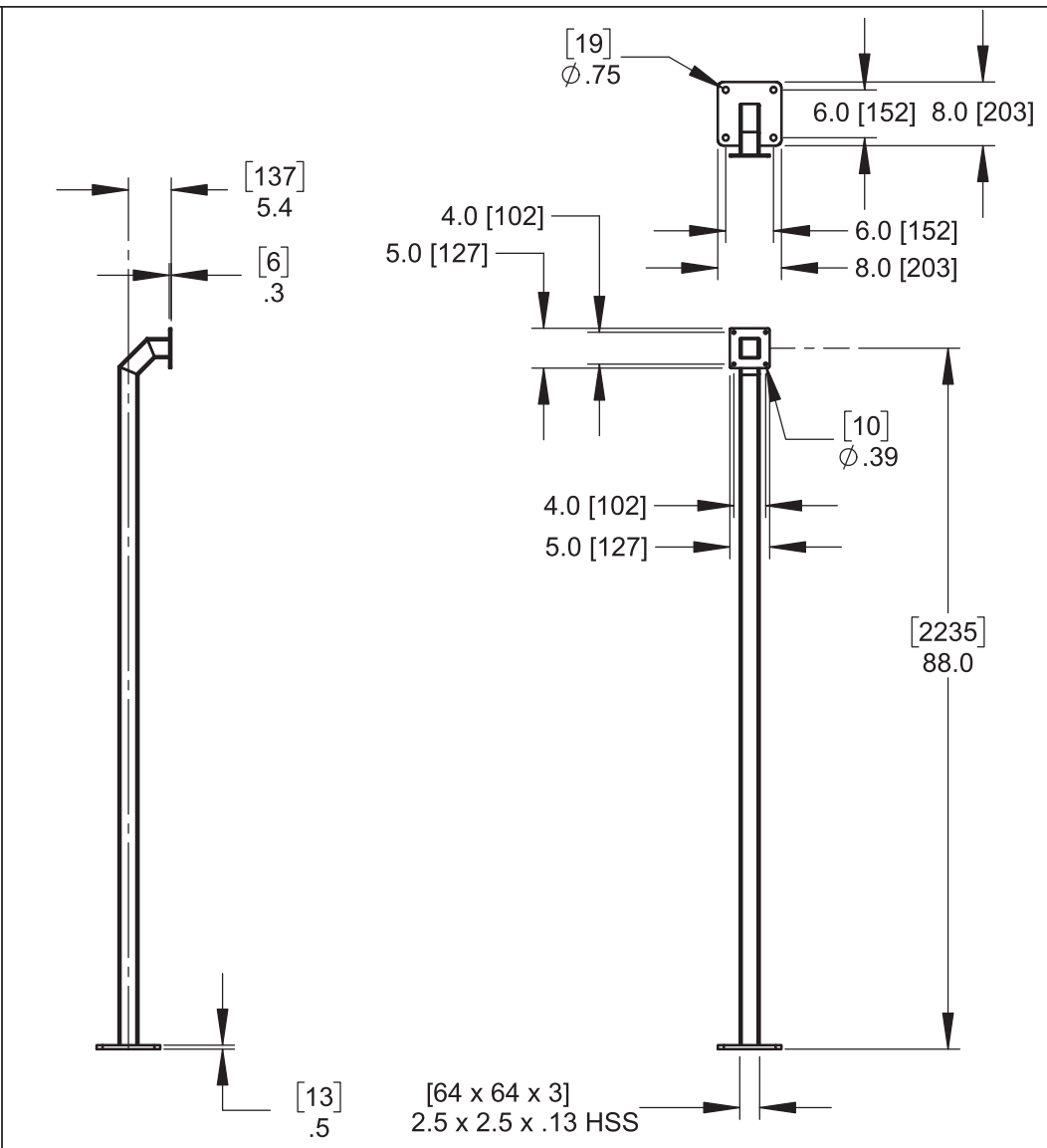


115 Lawson Crescent  
Winnipeg, Manitoba, Canada, R3P 1A6  
Phone: 1-866-300-1110  
Fax: 1-204-284-1868  
Web: www.wallaceperimetersecurity.com

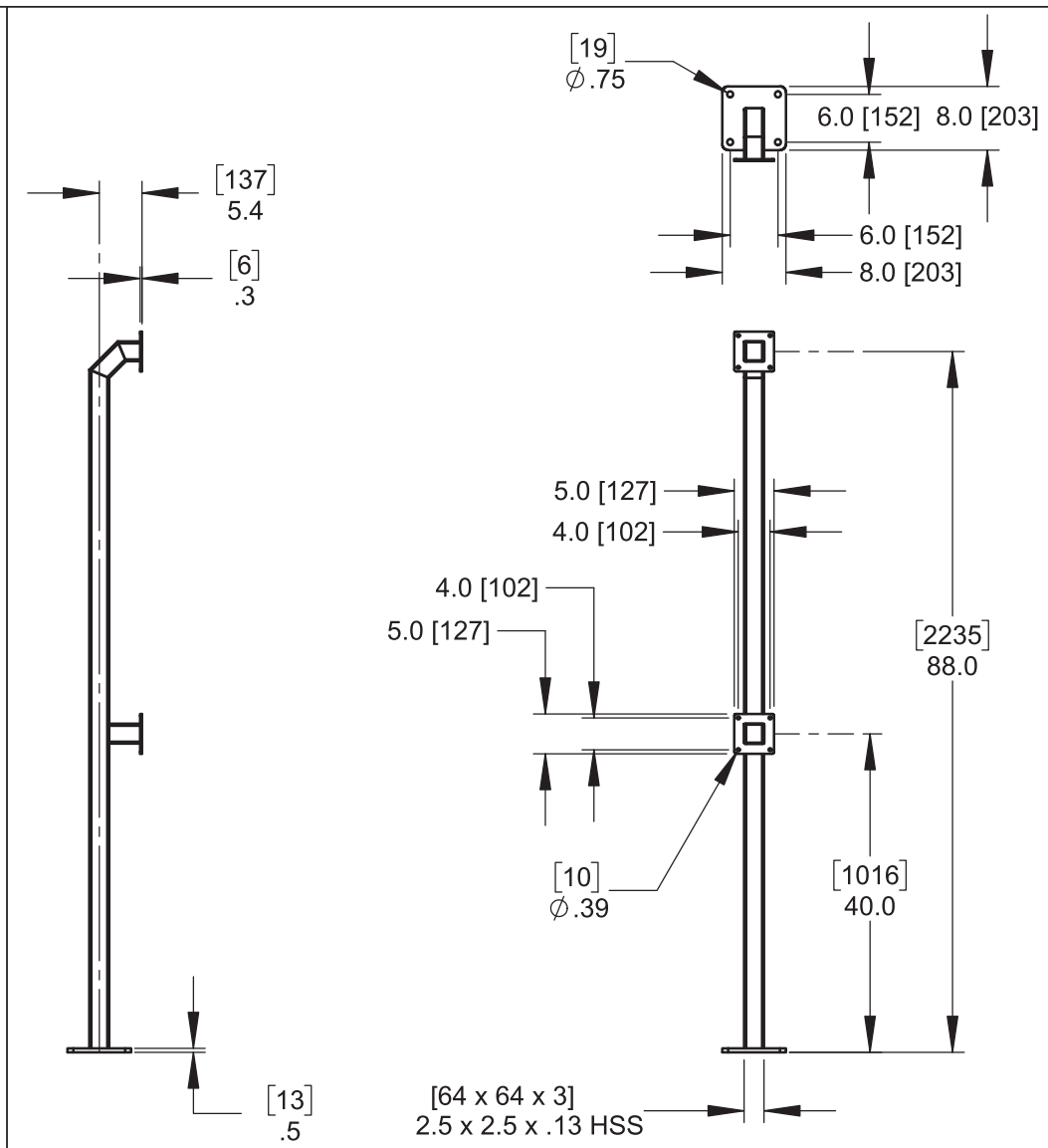
Description: <b>FOLDSMART XT TRACKLESS BI-FOLDING GATE SYSTEM GENERIC SITE LAYOUT</b>		
Customer / Project Name:		
Finish: <b>SEE SHEET 1</b>	Date: <b>1/30/2019</b>	
Drawing No. <b>FSXT-01-30-19</b>	Rev. <b>A</b>	Sheet: <b>5 of 6</b>



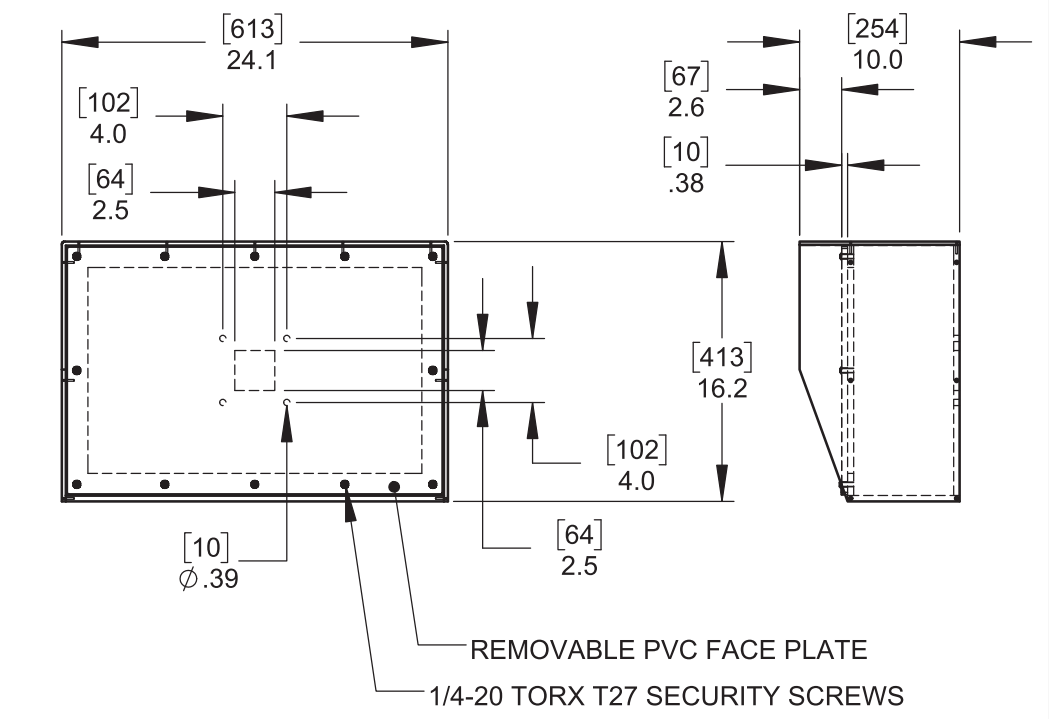
**DETAIL Q-1 - SINGLE HEIGHT PEDESTAL STAND 40.0" [1016]**



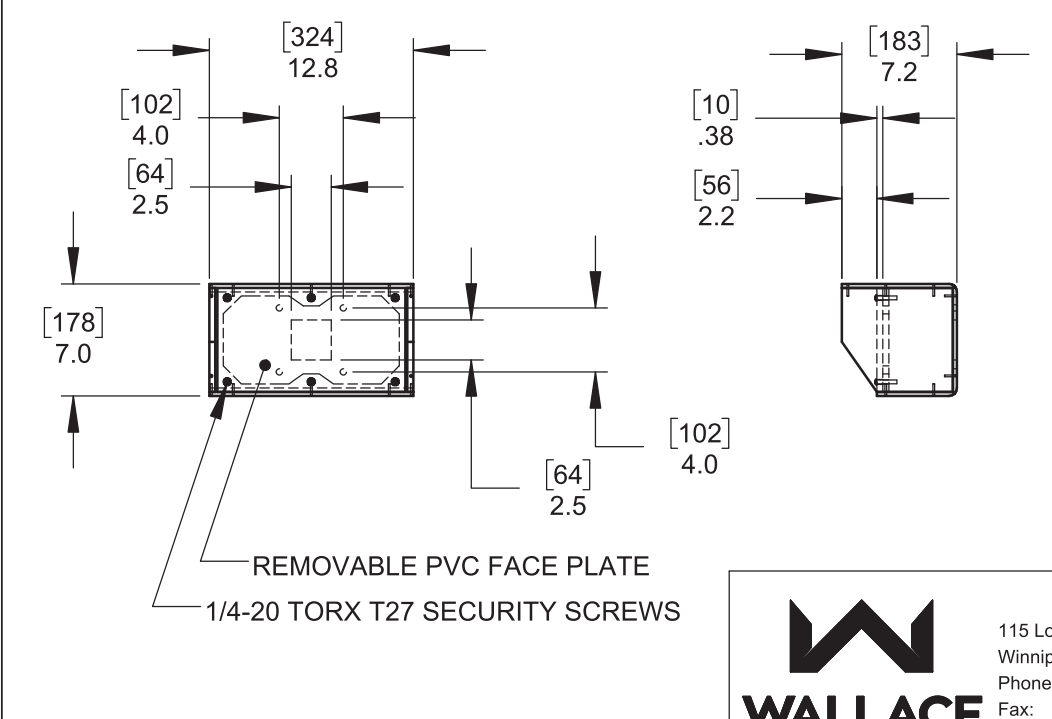
**DETAIL Q-2 - SINGLE HEIGHT PEDESTAL STAND 88.0" [2235]**



**DETAIL Q-3 - DUAL HEIGHT PEDESTAL STAND 40.0" [1016] / 88.0" [2235]**



**DETAIL R-1 - LARGE POLYCARBONATE PEDESTAL HEAD**



**DETAIL R-2 - SMALL POLYCARBONATE PEDESTAL HEAD**

**WALLACE PERIMETER SECURITY**

115 Lowson Crescent  
 Winnipeg, Manitoba, Canada, R3P 1A6  
 Phone: 1-866-300-1110  
 Fax: 1-204-284-1868  
 Web: www.wallaceperimetersecurity.com

Description: <b>FOLDSMART XT TRACKLESS BI-FOLDING GATE SYSTEM OPTIONAL ACCESS CONTROL PEDESTALS</b>		
Customer / Project Name:		
Finish:	Date:	1/30/2019
Drawing No. <b>FSXT-01-30-19</b>	Rev. <b>A</b>	Sheet: 6 of 6