

PRODUCT OVERVIEW

SPEC:

ASTM F3016 S20
X-Frame Bollard 60"

Finish:

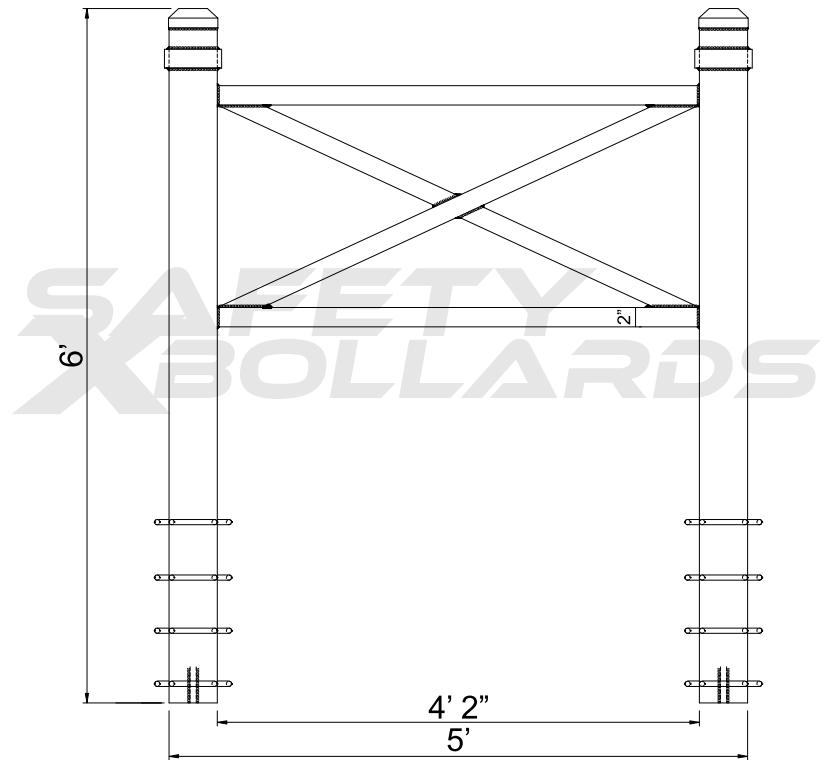
Hot Dipped Galvanized
or Powder Coated

HEIGHT ABOVE GRADE:

36 in

CRASH TEST RATING:

ASTM F3016 S20
Certified to stop a 5000lb
vehicle traveling at 20mph



60" X-Frame S20 Safety X Bollard

Product Number: 190-SMSXF-60x72-HDG

COMPONENT	DESCRIPTION
Core	S20 Deep Steel Core