

SAFETY X BOLLARDS



PRODUCT OVERVIEW

SPEC:

ASTM F3016 S20
72" Square Safety X Bollard

Finish:

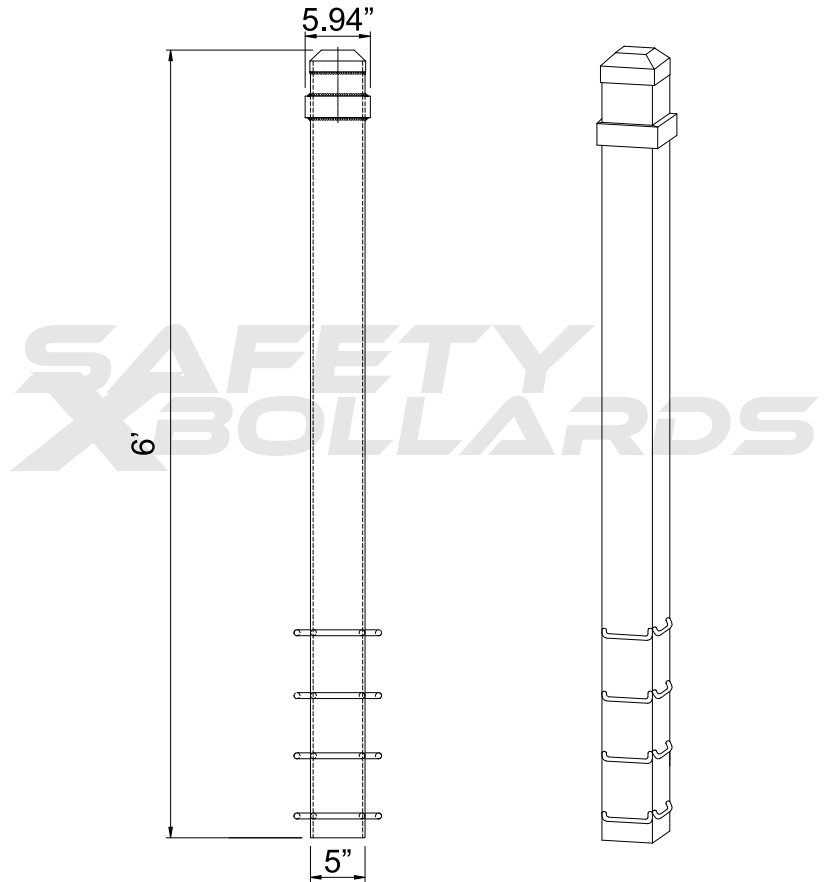
Hot Dipped Galvanized or
Powder Coated Upon Request

HEIGHT ABOVE GRADE:

72" in

CRASH TEST RATING:

ASTM F3016 S20
Certified to stop a 5000lb
vehicle traveling at 20mph

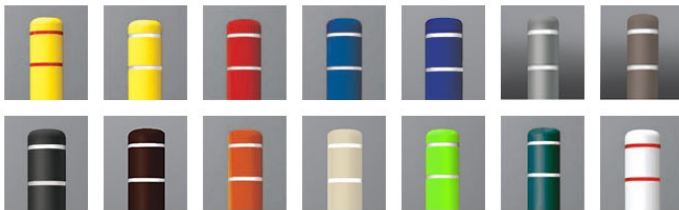


Product: 190-SQSB-5x72-HDG

COMPONENT	DESCRIPTION
-----------	-------------

Core	S20 Safety X
Cover Options	HDPE Post Covers with Foam Tape (variety of colors and materials available upon request)

Change the Appearance by adding a Round Cover to Your Square Bollard



Sign Post Add-On (ADA Sign with Blue Cover)

COMPONENT	DESCRIPTION
-----------	-------------

Sign Post Kit	Safety X Bollard Sign Post Add-on
---------------	-----------------------------------



*Handicap Sign Not Included