


LEGEND

SHEET 1	LEGEND
SHEET 2	ELEVATION RSS3000
SHEET 3	FOUNDATION RSS3000
SHEET 4	FOUNDATION RSS3000(2)
SHEET 5	FOUNDATION RSS3000(3)
SHEET 6	FOUNDATION LAYOUT RSS3000
SHEET 7	RSS3000 LAYOUT
SHEET 8	RSS3000 CONDUIT CONTROL PANEL
SHEET 9	WIRE AND CONDUIT LEGEND
SHEET 10	1 UNIT CONTROL PANEL FOUNDATION
SHEET 11	TRAFFIC LIGHT FOUNDATION

DATE: 6-21-16
PROJECT NO.
SHEET NO. 1

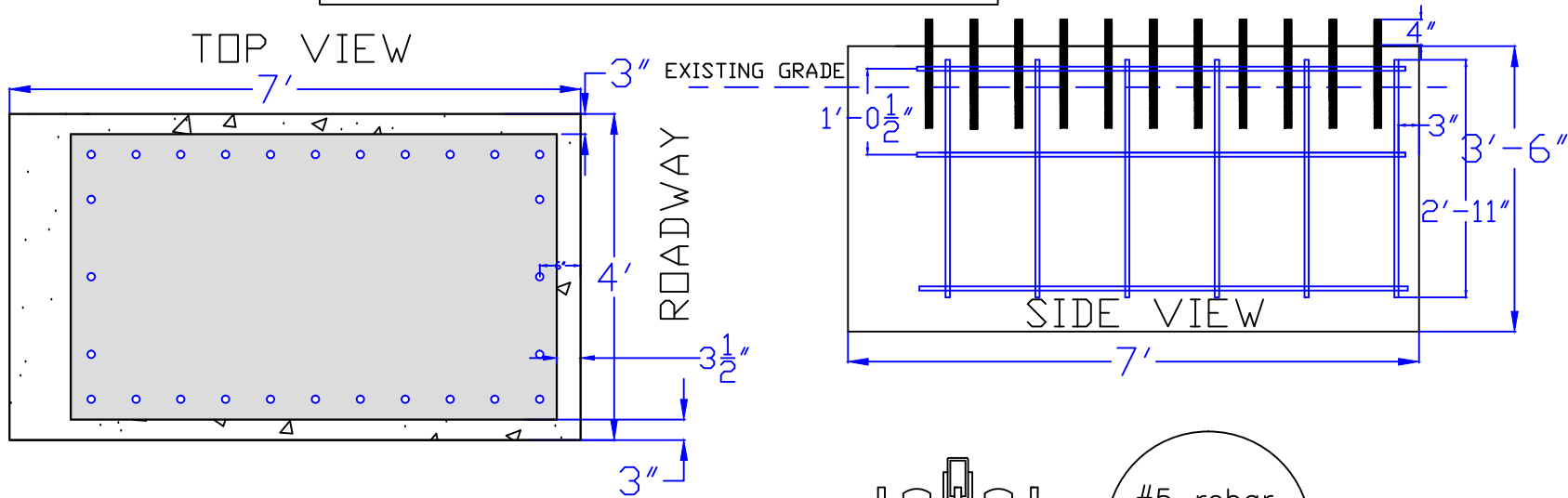
PROJECT NAME: RSS3000 SAMPLE DRAWINGS, 6-21-16
SHEET TITLE: LEGEND


 RSSB BARRIERS, LLC
 6530 HWY. 22
 PANAMA CITY, FL. 32404
 (850)871-9300
 866.249.1029
 www.rssbarriers.com

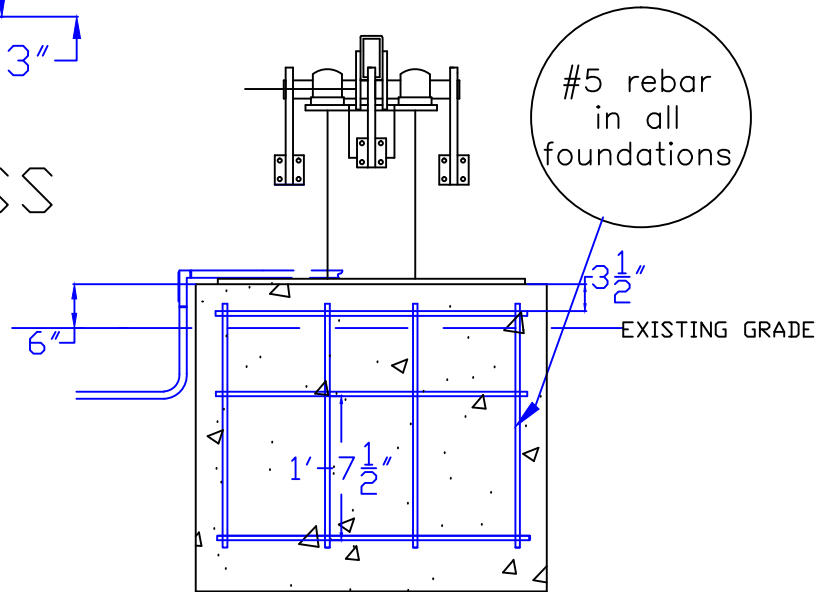
REV.	DESCRIPTION	BY:	DATE

DRILL 1 1/8" HOLE FOR ANCHOR BOLT
 USE 1"X16" 4140 THREADED ROD WITH
 12" PENETRATION. ANCHOR WITH MKT
 LIQUIDROC 500 EPOXY (or Equivalent)

USE DOUBLE NUT WITH
 WASHER ON TOP OF PLATE.



BEAM BUTTRESS




ROADWAY

DATE	6-21-16
PROJECT NO.	
SHEET NO.	3

PROJECT NAME: RSS3000 SAMPLE DRAWINGS, 6-21-16
 SHEET TITLE: FOUNDATION RSS3000

RSSI BARRIERS, LLC
 6630 HWY. 22
 PANAMA CITY, FL. 32404
 (850)871-9300
 www.rssibarrriers.com

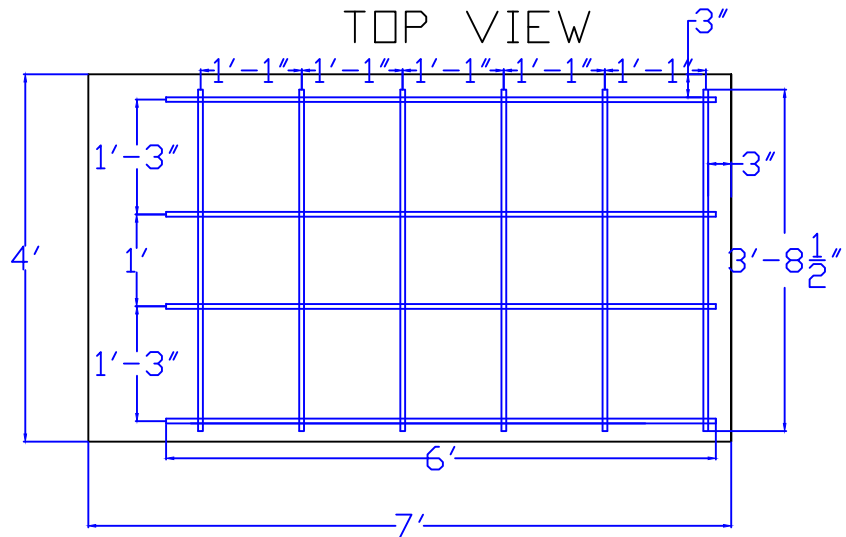


RSSI BARRIERS, LLC
 866.249.1029
 www.rssibarrriers.com

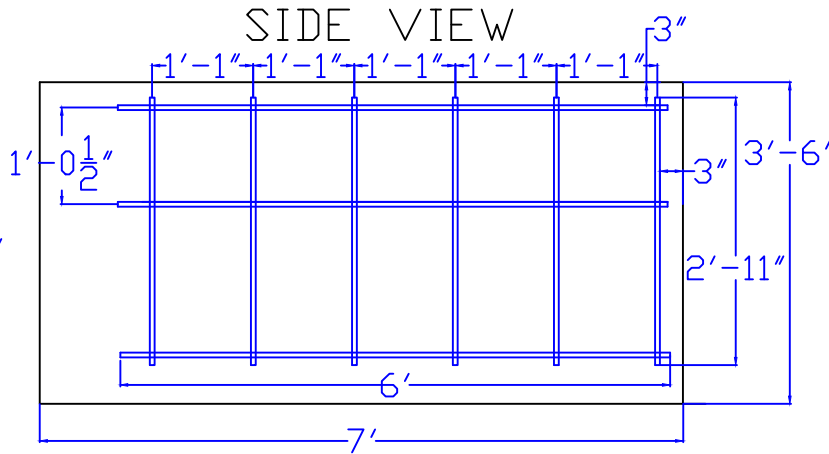
REV.	DESCRIPTION	DATE

BEAM BUTTRESS REBAR PLAN

REBAR TOP VIEW



REBAR SIDE VIEW



DATE	6-21-16
PROJECT NO.	
SHEET NO.	4

PROJECT NAME: RSS3000 SAMPLE DRAWINGS, 6-21-16
 SHEET FOUNDATION RSS3000
 TITLE:

RSSI BARRIERS, LLC
 6530 HWY. 22
 PANAMA CITY, FL. 32404
 (850)871-9300

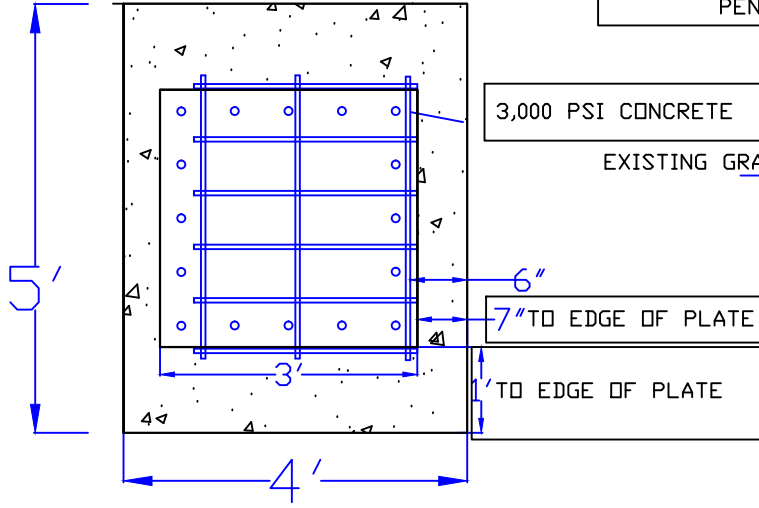
RSSI
 RSSI BARRIERS, LLC
 866.249.1029
 www.rssi barriers.com

REV.	DESCRIPTION	DATE

BUTTRESS END, REBAR AND FOUNDATION PLAN

DATE: 6-21-16	PROJECT NO.	SHEET NO.
		5

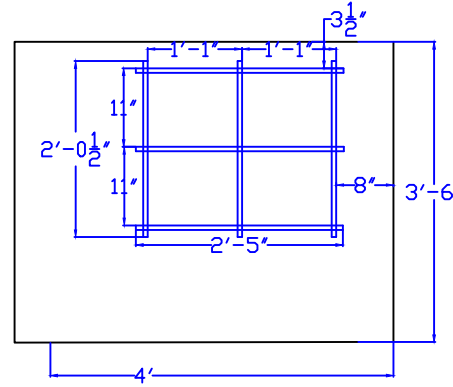
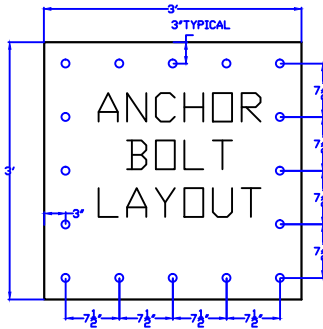
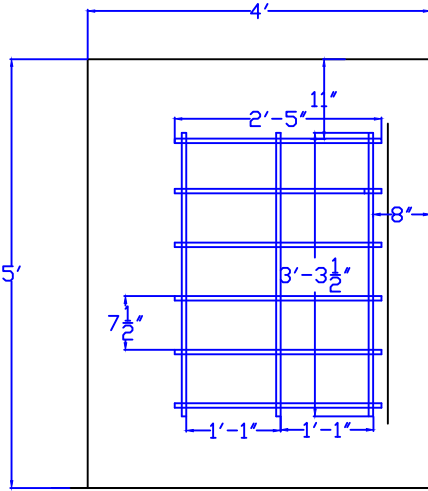
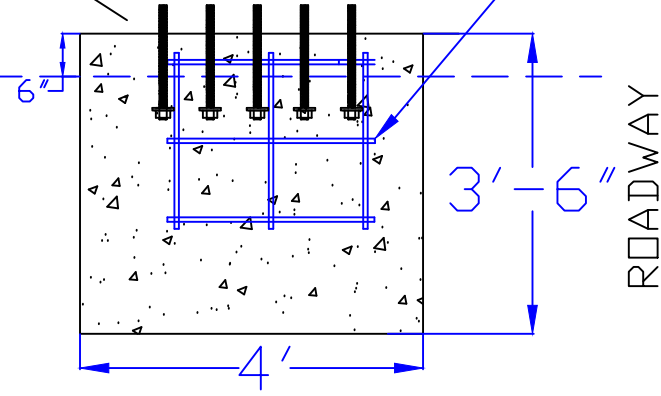
TOP VIEW



EMBED 1"X16" 4140 THREADED ROD WITH 3"X3"X3/8" SQUARE WASHER AND NUT WITH 12" PENETRATION

#5 rebar in all foundations

END VIEW




PROJECT NAME: RSS3000 SAMPLE DRAWINGS, 6-21-16

SHEET FOUNDATION RSS3000

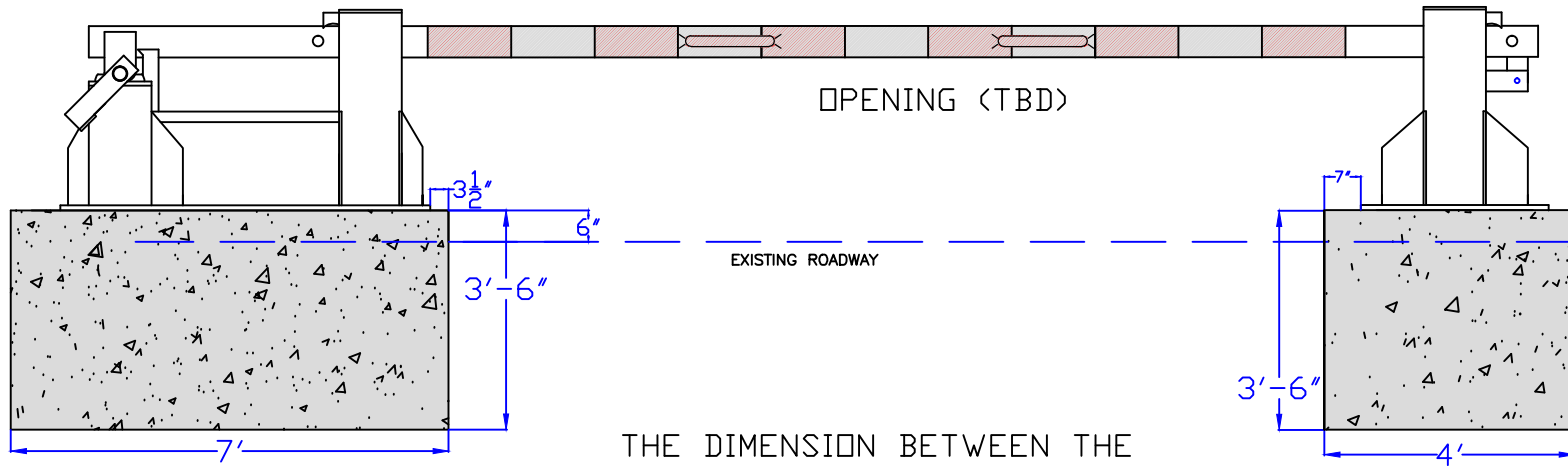
TITLE:

RSSI BARRIERS, LLC
6530 HWY. 22
PANAMA CITY, FL. 32404
(850)871-9300



RSSI BARRIERS, LLC
866.249.1029
www.rssi barriers.com

REV.	DESCRIPTION	DATE




THE DIMENSION BETWEEN THE FOUNDATIONS IS CRITICAL FOR THE MEASUREMENT OF THE BEAM FOR FABRICATION.

DATE: 6-21-16	PROJECT NO.	SHEET NO.
		6

PROJECT NAME: RSS3000 SAMPLE DRAWINGS, 6-21-16
SHEET TITLE: FOUNDATION LAYOUT RSS3000

RSSI BARRIERS, LLC
 6530 HWY. 22
 PANAMA CITY, FL. 32404
 (850)871-9300



RSSI BARRIERS, LLC
 866.249.1029
 www.rssi barriers.com

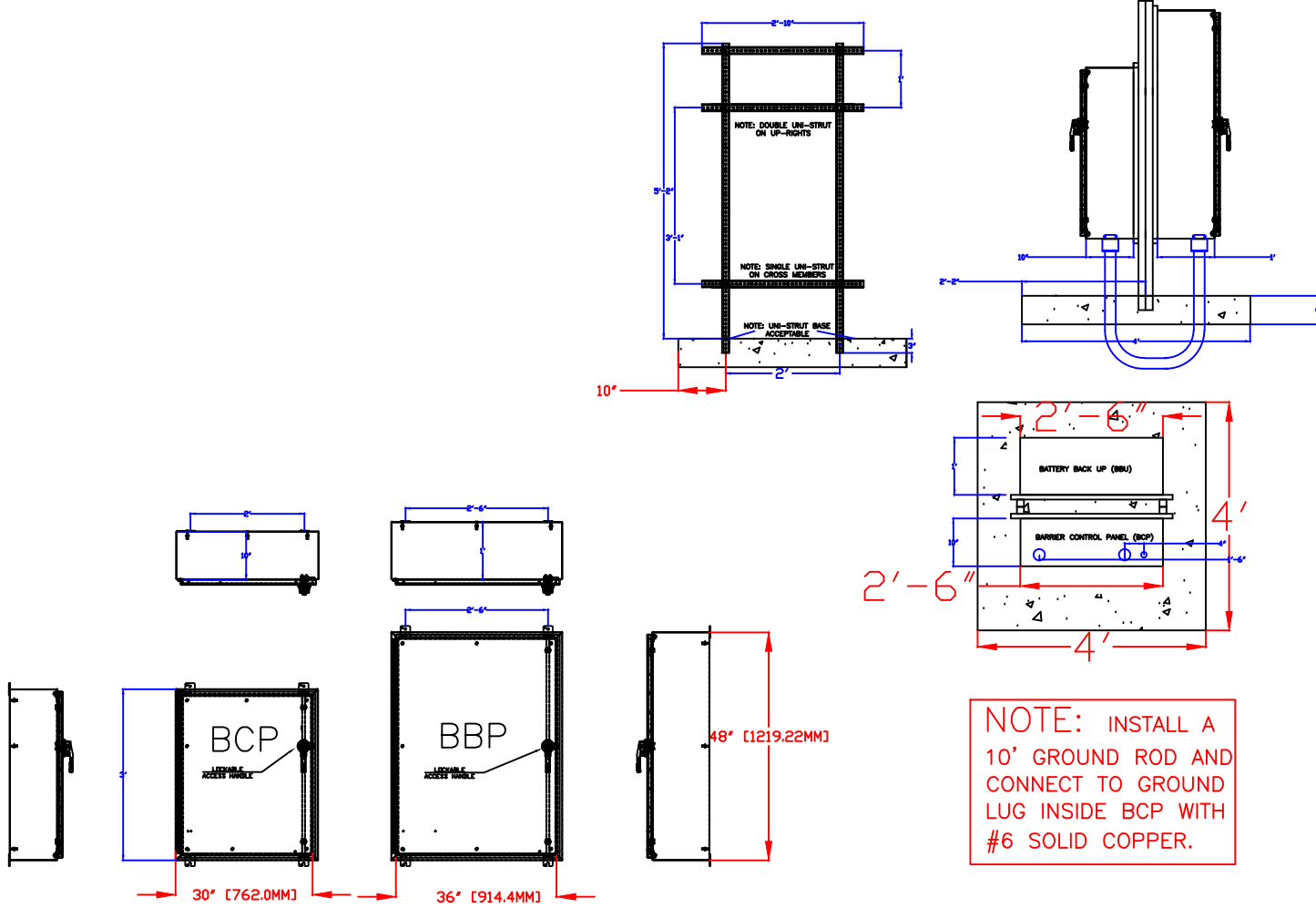
REV.	DESCRIPTION	DATE

REV.	DESCRIPTION	BY	DATE

CONDUIT SCHEDULE

CONDUIT ID	FROM	TO	CONDUIT SIZE	WIRE SPECS	PURPOSE
C-0	MAIN POWER SOURCE	BARRIER CONTROL PANEL	BY INSTALLER	4-#10 THHN L1 L2 N & GND	MAIN POWER SOURCE
C-3	BARRIER CONTROL PANEL	BARRIER POWER J-BOX	1"	SERVO DRIVE MOTOR CABLE	SERVO DRIVE, GROUND
C-4	BARRIER CONTROL PANEL	BARRIER CONTROL J-BOX	1"	SERVO DRIVE FEEDBACK CABLE	COMMUNICATIONS WARNING LED'S
C-5	BARRIER CONTROL PANEL	BARRIER SAFETY LOOPS	1"	#16 TYPE XLPE TWISTED PAIRS	LOOPS
C-6	BARRIER CONTROL PANEL	TRAFFIC SIGNALS	1"	4-#14 THHN	TRAFFIC SIGNALS
C-7	BARRIER CONTROL PANEL	DRY CONTACT INTERFACE	1"	TBD	ACCESS CONTROL BY OTHERS

ALL FIELD WIRING TO BE THHN STRANDED CONDUCTORS.
 ALL CAT5e CABLE IN CONDUIT TO BE TYPE CMXF.



NOTE: INSTALL A 10' GROUND ROD AND CONNECT TO GROUND LUG INSIDE BCP WITH #6 SOLID COPPER.

DATE: 6-21-16	PROJECT NO.	SHEET NO.
DATE: 6-21-16		10

PROJECT NAME: RSS3000 SAMPLE DRAWINGS, 6-21-16
 SHEET TITLE: 1 UNIT CONTROL PANEL FOUNDATION

RSSI BARRIERS, LLC
 6530 HWY. 22
 PANAMA CITY, FL. 32404
 (850)871-9300
 www.rssibarrriers.com



REV.	DESCRIPTION	DATE

