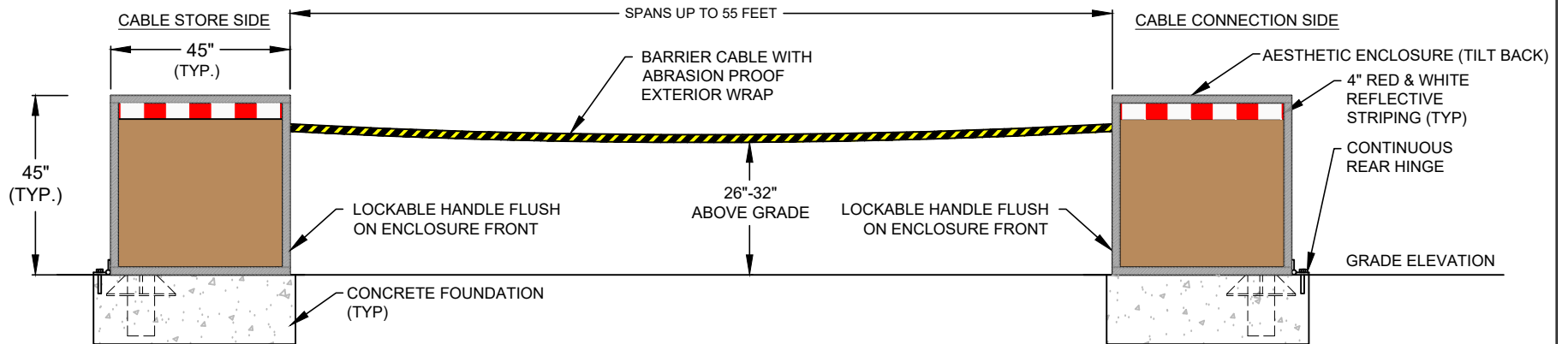


QUICK CONNECT CABLE BARRIER - MODEL QCB-MAN-400 (MANUALLY OPERATED BY 1 PERSON)

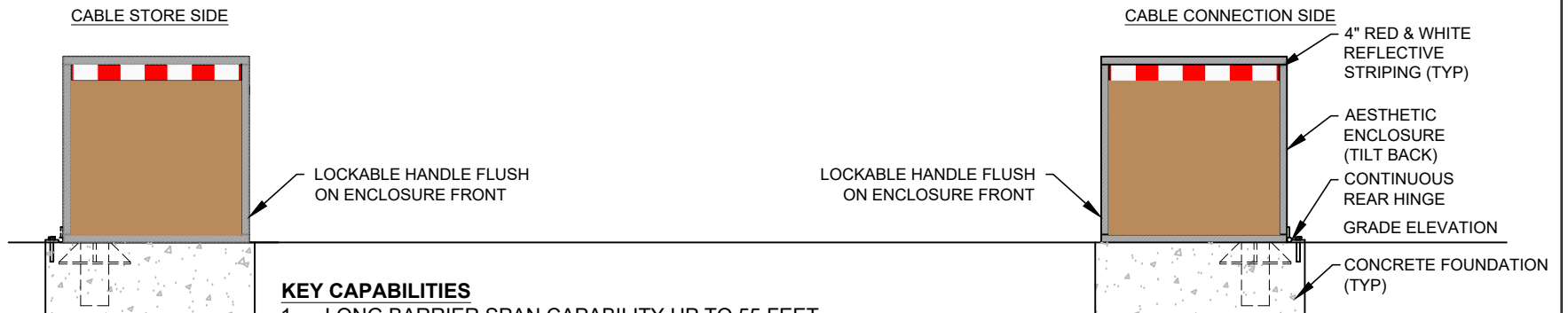
STOPS 15,000 LB. VEHICLE AT 30 MPH IMPACT (LONG SPAN CAPABILITY, 3 MINUTES TO CONNECT OR DISCONNECT)

ASTM F2656-07 M30 P2(K4) ENGINEERED, CRASH TESTED COMPONENTS

FRONT VIEW - BARRIER CABLE IN PLACE ACROSS ROADWAY



FRONT VIEW - BARRIER CABLE STORED INSIDE COVER



KEY CAPABILITIES

1. LONG BARRIER SPAN CAPABILITY UP TO 55 FEET.
2. CONNECT OR DISCONNECT IN ABOUT 4 MINUTES BY 1 PERSON MANUALLY.
3. HIGH STRENGTH CABLE WITH ABRASION PROOF EXTERIOR WRAP.
4. QUICK INSTALLATION IN 1-1/2 DAYS (PREFABRICATED COMPONENTS).
5. BARRIER CAN REMAIN IN "UP" OR "DOWN" POSITIONS.
6. SMALL LOCKABLE AESTHETIC ENCLOSURES (STORE BARRIER CABLE INSIDE)
7. CUSTOM AESTHETIC ENCLOSURE COLORS AVAILABLE. NON RUSTING ALUMINUM.
8. ALL WEATHER USE.
9. SIMPLE TO OPERATE WITH MINIMAL MAINTENANCE.



BARRIER1 SYSTEMS, INC.
 8015 THORNDIKE ROAD
 GREENSBORO, NC 27409
 (336) 617-8478 (336) 617-8471 FAX
 miamore@barrier1.us www.barrier1.us

THE DRAWINGS AND INFORMATION CONTAINED HEREIN ARE PROPRIETARY AND CONFIDENTIAL AND FOR USE BY ONLY PERSONS WORKING ON PROJECT WITH BARRIER1 SYSTEMS, INC. DO NOT COPY OR REPRODUCE. ALL RIGHTS RESERVED.

**QUICK CONNECT
 CABLE BARRIER
 MODEL QCB-MAN-400**

SAMPLE DRAWINGS

SHEET: 1 OF 4

09062017

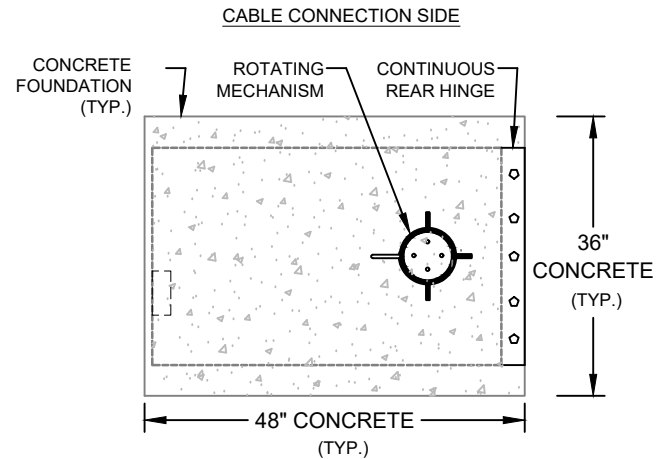
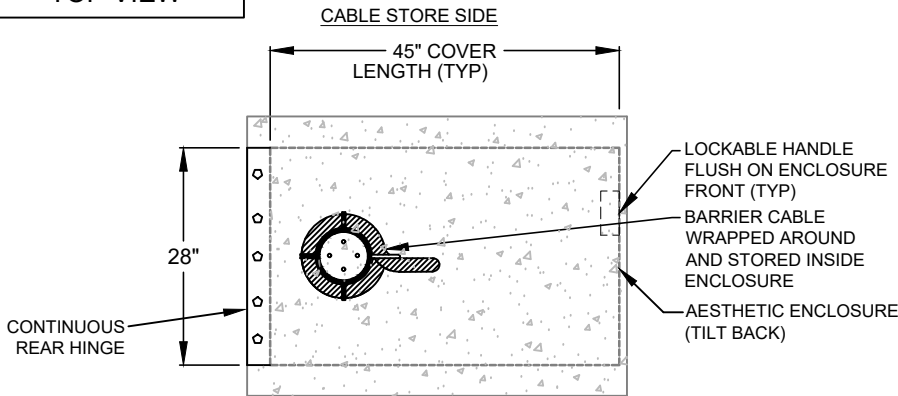
SCALE: N.T.S.

QUICK CONNECT CABLE BARRIER - MODEL QCB-MAN-400 (MANUALLY OPERATED BY 1 PERSON)

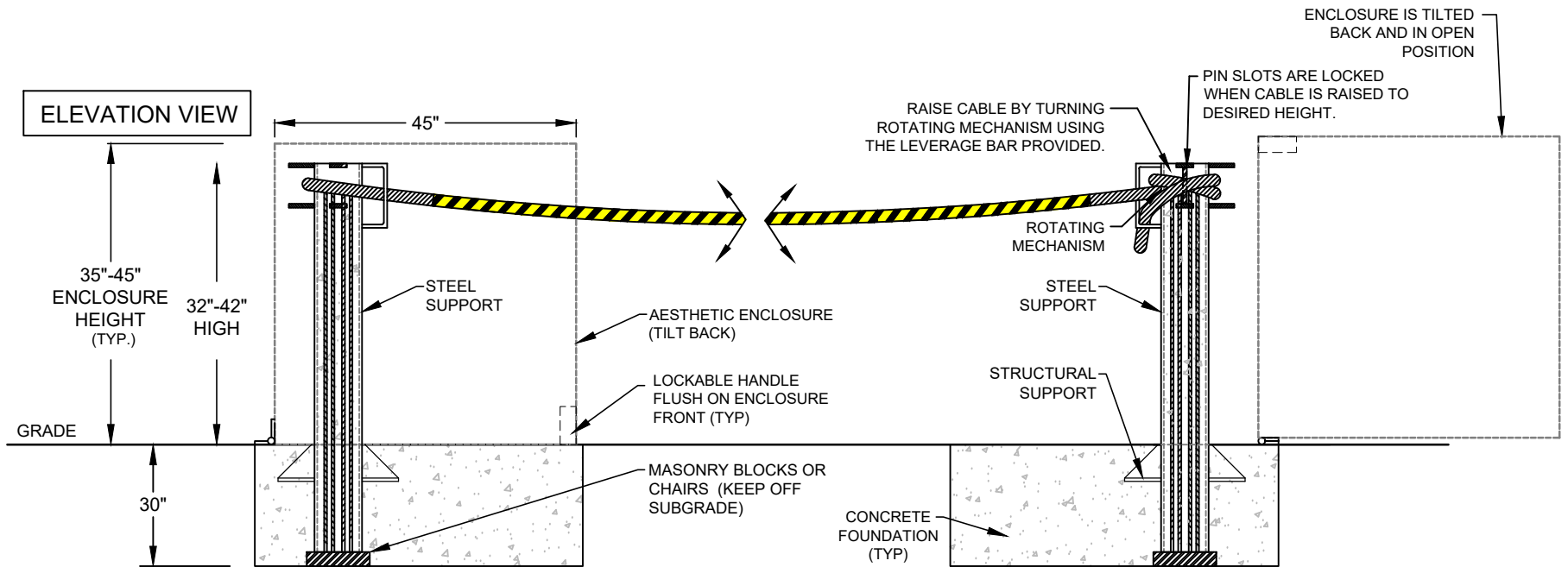
STOPS 15,000 LB. VEHICLE AT 30 MPH IMPACT (LONG SPAN CAPABILITY, 3 MINUTES TO CONNECT OR DISCONNECT)

ASTM F2656-07 M30 P2(K4) ENGINEERED, CRASH TESTED COMPONENTS

TOP VIEW



ELEVATION VIEW



BARRIER1 SYSTEMS, INC.
 8015 THORNDIKE ROAD
 GREENSBORO, NC 27409
 (336) 617-8478 (336) 617-8471 FAX
 mlamore@barrier1.us www.barrier1.us

THE DRAWINGS AND INFORMATION CONTAINED HEREIN ARE PROPRIETARY AND CONFIDENTIAL AND FOR USE BY ONLY PERSONS WORKING ON PROJECT WITH BARRIER1 SYSTEMS, INC. DO NOT COPY OR REPRODUCE. ALL RIGHTS RESERVED.

**QUICK CONNECT
 CABLE BARRIER
 MODEL QCB-MAN-400**

SAMPLE DRAWINGS

SHEET: 2 OF 4

09062017

SCALE: N.T.S.

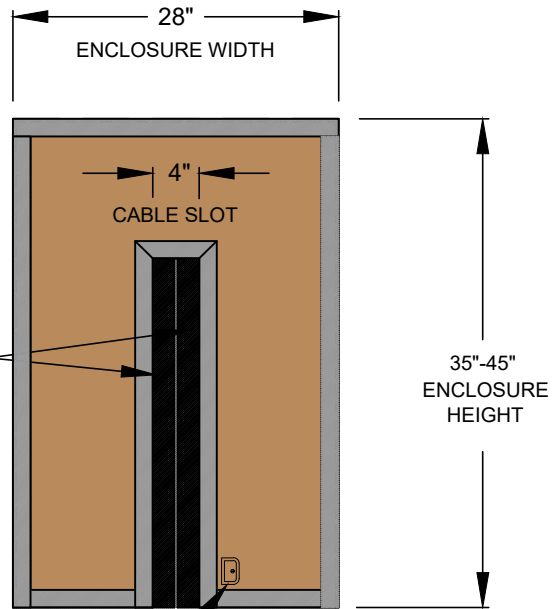
QUICK CONNECT CABLE BARRIER - MODEL QCB-MAN-400 (MANUALLY OPERATED BY 1 PERSON)

STOPS 15,000 LB. VEHICLE AT 30 MPH IMPACT (LONG SPAN CAPABILITY, 3 MINUTES TO CONNECT OR DISCONNECT)

ASTM F2656-07 M30 P2(K4) ENGINEERED, CRASH TESTED COMPONENTS

AESTHETIC ENCLOSURE

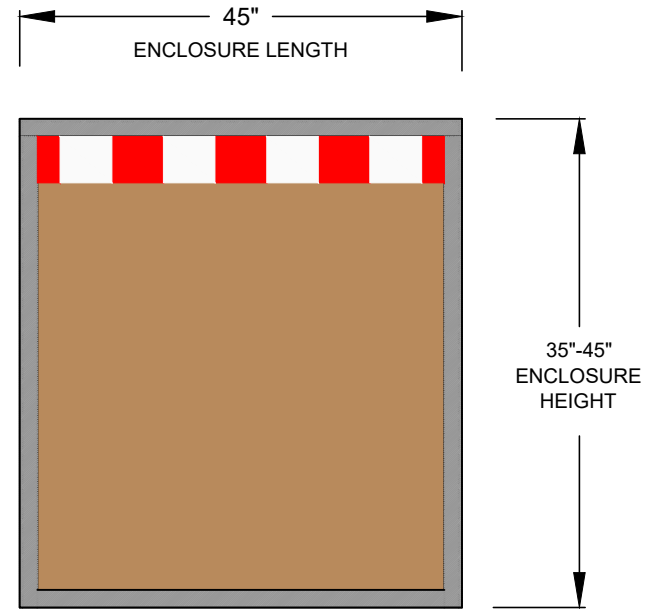
FRONT VIEW



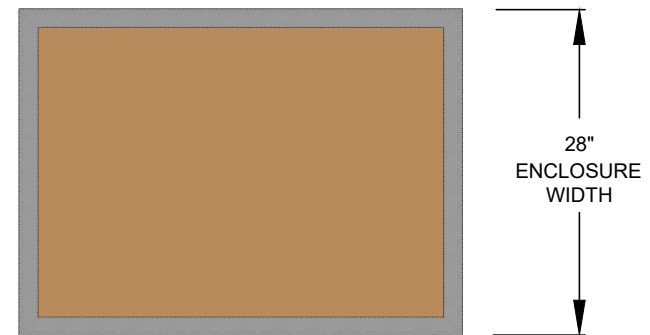
CABLE SLOT, DURABLE RUBBER PLY CLOSURE (TYP)

LOCKABLE HANDLE FLUSH ON ENCLOSURE FRONT

SIDE VIEW



TOP VIEW



AESTHETIC ENCLOSURE FEATURES

1. NON-RUSTING ALUMINUM.
2. LOCKED IN CLOSED POSITION.
3. EASILY TILTED BACK WHEN CONNECTING OR DISCONNECTING CABLE.
4. REFLECTIVE 4" STRIPPING.
5. CUSTOM ENCLOSURE COVERS AVAILABLE.
6. OPTIONAL BOLLARDS TO PROTECT ENCLOSURES ARE AVAILABLE.



BARRIER1 SYSTEMS, INC.
 8015 THORNDIKE ROAD
 GREENSBORO, NC 27409
 (336) 617-8478 (336) 617-8471 FAX
 mlamore@barrier1.us www.barrier1.us

THE DRAWINGS AND INFORMATION CONTAINED HEREIN ARE PROPRIETARY AND CONFIDENTIAL AND FOR USE BY ONLY PERSONS WORKING ON PROJECT WITH BARRIER1 SYSTEMS, INC. DO NOT COPY OR REPRODUCE. ALL RIGHTS RESERVED.

QUICK CONNECT CABLE BARRIER MODEL QCB-MAN-400

SAMPLE DRAWINGS

SHEET: 3 OF 4

09062017

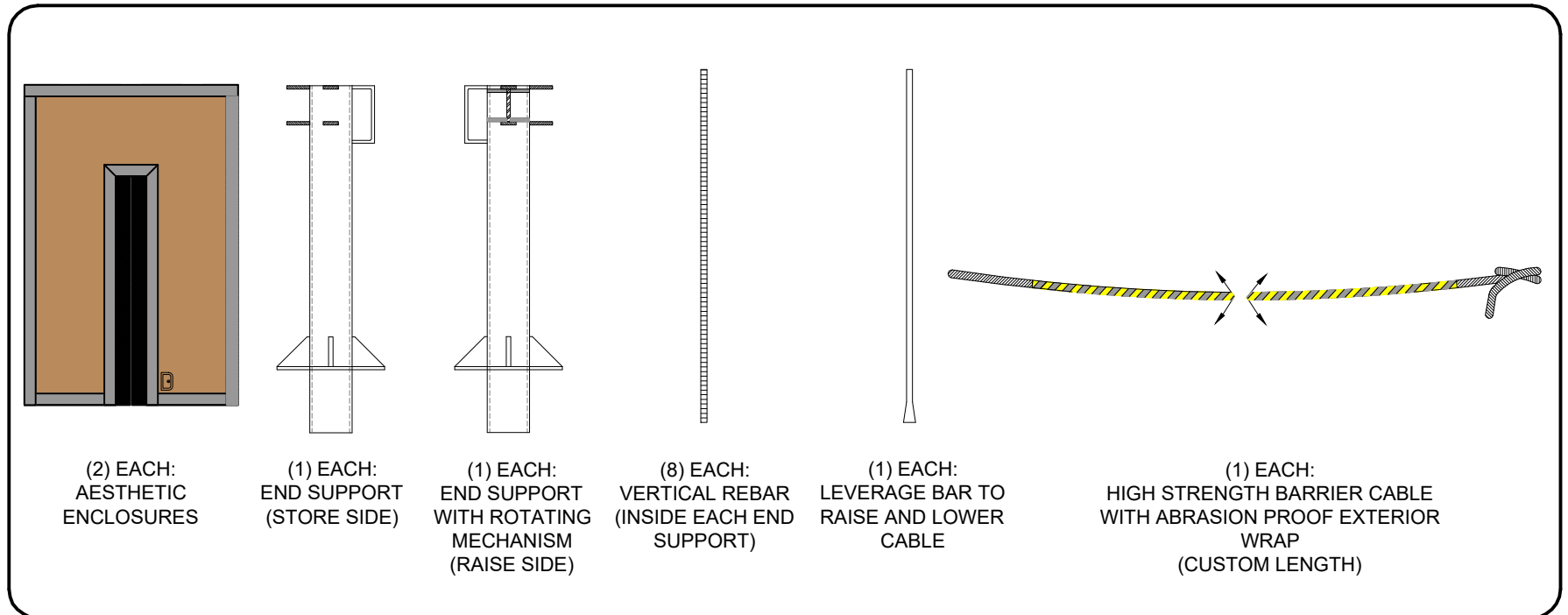
SCALE: N.T.S.

QUICK CONNECT CABLE BARRIER - MODEL QCB-MAN-400 (MANUALLY OPERATED BY 1 PERSON)

STOPS 15,000 LB. VEHICLE AT 30 MPH IMPACT (LONG SPAN CAPABILITY, 3 MINUTES TO CONNECT OR DISCONNECT)

ASTM F2656-07 M30 P2(K4) ENGINEERED, CRASH TESTED COMPONENTS

PREFABRICATED COMPONENTS PER SYSTEM PROVIDED BY BARRIER1 SYSTEMS



MATERIALS PROVIDED BY INSTALLATION CONTRACTOR

1. INSTALLATION CONTRACTOR TO PROVIDE ABOUT 2.2 TOTAL CUBIC YARDS OF CONCRETE.



BARRIER1 SYSTEMS, INC.

8015 THORNDIKE ROAD
GREENSBORO, NC 27409
(336) 617-8478 (336) 617-8471 FAX
mlamore@barrier1.us www.barrier1.us

THE DRAWINGS AND INFORMATION CONTAINED HEREIN ARE
PROPRIETARY AND CONFIDENTIAL AND FOR USE BY ONLY
PERSONS WORKING ON PROJECT WITH BARRIER1 SYSTEMS, INC.
DO NOT COPY OR REPRODUCE. ALL RIGHTS RESERVED.

**QUICK CONNECT
CABLE BARRIER
MODEL QCB-MAN-400**

SAMPLE DRAWINGS

SHEET: 4 OF 4

09062017

SCALE: N.T.S.