

**NOTES:**



1. Fence System have been designed for a 105mph wind load
2. Fence designed as exposure category C in accordance with ASCE 7-10
3. Rapid Deploy Quick Install
4. No Brackets

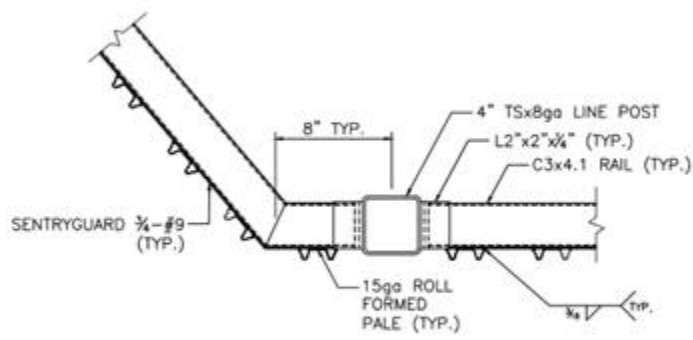
**IFI-14 Palisade Fence**

NOT TO SCALE

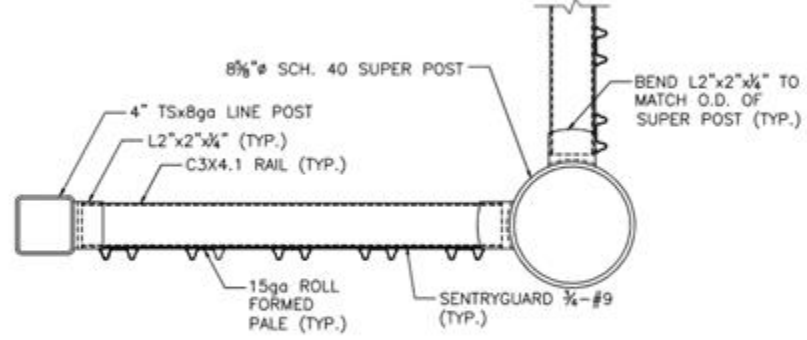
**Perimeter Security Solutions**

1300 S Kilbourn Avenue, Chicago IL 60623 Main:773-521-9900  
www.perimetersecuritysolutions

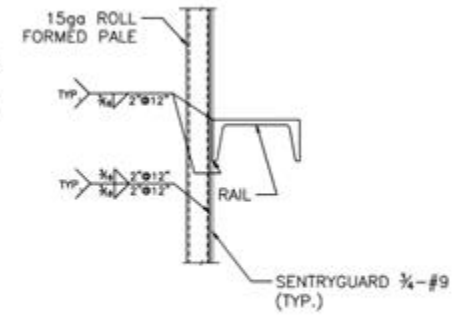




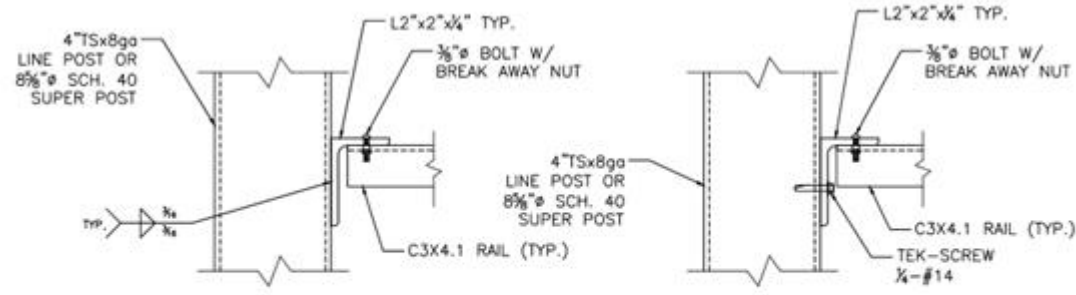
1 CORNER DETAIL  
SCALE: NTS



2 SUPER POST CORNER DETAIL  
SCALE: NTS



3 MESH ATTACHMENT  
SCALE: NTS



OPTION 1

OPTION 2

4 RAIL TO POST CONNECTION  
SCALE: NTS

**NOTES:**



1. Fence System have been designed for a 105mph wind load
2. Fence designed as exposure category C in accordance with ASCE 7-10
3. Rapid Deploy Quick Install
4. No Brackets

**IFI-14 Palisade Fence**

NOT TO SCALE

**Perimeter Security Solutions**

1300 S Kilbourn Avenue. Chicago IL 60623 Main:773-521-9900  
www.perimetersecuritysolutions

