



PERIMETER
SECURITY
PARTNERS

Perimeter Security Partners
5038 Thoroughbred Lane
Brentwood, TN 37027
<http://www.perimetersecuritypartners.com>

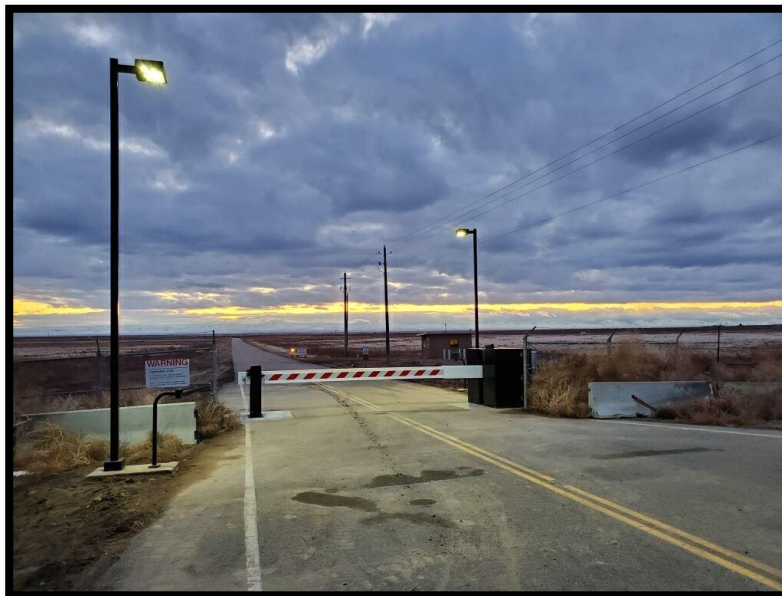


Model SATYR-12
MANUAL (CW)
HYDRAULIC (H)
ELECTRIC (E)

SATYR-12

Crash Rated Beam

The model SATYR-12 crash rated beam is ASTM F2656-07 M50-P1 certified (equivalent to US Department of State K12; 15,000lbs, 50mph, less than 1m penetration). The SATYR-12 standard assembly consists of a receiver stanchion, hinge stanchion, aluminum arm, stanchion covers, and operator. The system is designed for smooth operation, low maintenance, and long life. The SATYR-12 is available with clear opening widths from 10 to 30 feet and can be operated manually with a counter-weight mechanism (SATYR-12CW) or powered using a hydraulic pumping unit (SATYR-12H), or via electrical motor (SATYR-12E).



Description

Control of the SATYR-12CW pivot arm/beam is accomplished through manual operation with the assistance of a counter-weight (CW) mechanism. Designed for easy set-up and operation, the CW system is provided to the customer pre-balanced from the factory with easily adjustable on-site calibration options to ensure the system works smoothly and is easily operable at any site.

Automated operation for the SATYR-12H is driven from a Hydraulic Pumping Unit (HPU). Designed for ease of access and maintenance, the HPU contains a 2.5-gallon tank for heat dispersion, internal electrical box, and a PLC for long life and reliability. The standard dimensions are 42" H X 12" W X 30" L with a weight of 200 lbs.

Controlling the SATYR-12E is a robust and reliable electrical power unit designed to operate crash beams and other single point operations.

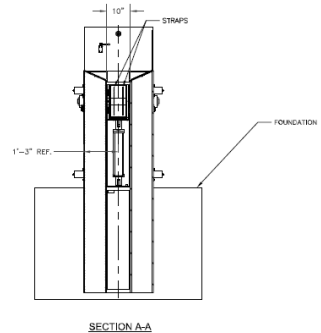
**For more
information:**

**Main: (615) 953-8872
Fax: (615) 468-6311**

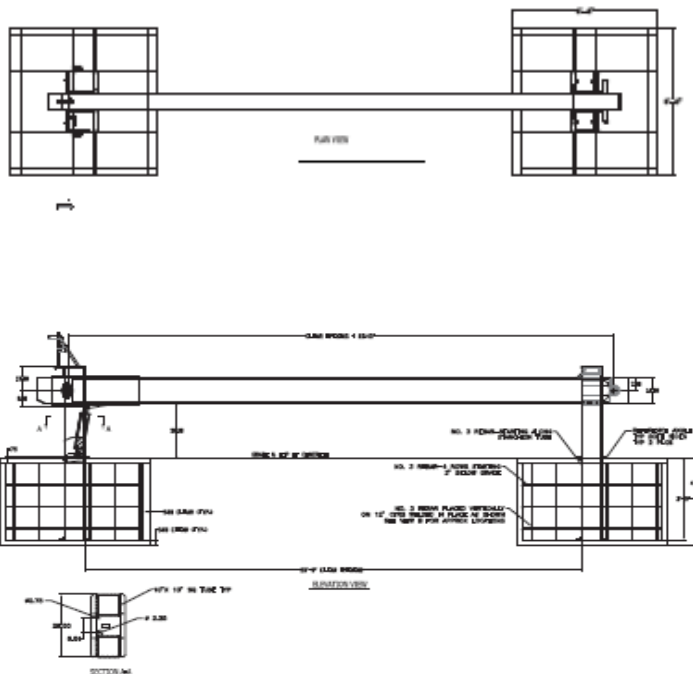
sales@perimetersecuritypartners.com
<http://www.perimetersecuritypartners.com>

Product Information

- ASTM F2656-07 M50-P1 Certified (equivalent to US Department of State K12)
15,000lbs; 50mph; less than 1m penetration; tested at 12.9' opening;
- ASTM F2656-07 M50-P2 Certified (equivalent to US Department of State K12)
15,000lbs; 50mph; less than 2m penetration; tested at 28' opening;
- Operation: Manual (SATYR-12CW), Hydraulic (SATYR-12H), or Electric (SATYR-12E)
- UL Compliant (SATYR-12E)
- PLC Controlled (SATYR-12H/E)
- 208VAC/240VAC/480VAC, single or three phase power
- Standard industrial grade protective coatings
- Optional zinc-arc galvanization
- Customer specific painting and markings optional
- Hydraulic/Electric drawing shown



Features & Options



	STANDARD	OPTIONAL
NEMA 4 All-Weather Enclosure	●	●
Manual Hand Pump	●	●
Prewired for Loop Detectors	●	●
Traffic Lights	●	●
Main Operator Panel	●	●
Remote Operator Panel	●	●
Hydraulic Oil Heater	●	●
PLC Logic Controller	●	●
Barrier Lights	●	●
Warning Beacons, Alarms	●	●
Power 208-240V, 3PH, 60Hz	●	●
Other Power Available	●	●
Custom Paint	●	●
Safety Detectors	●	●
Magnetic Lock	●	●
Auxiliary Limit Switches	●	●
Buttress Heaters	●	●
Battery Backup	●	●

For more
information:

Main: (615) 953-8872
Fax: (615) 468-6311

sales@perimetersecuritypartners.com
<http://www.perimetersecuritypartners.com>