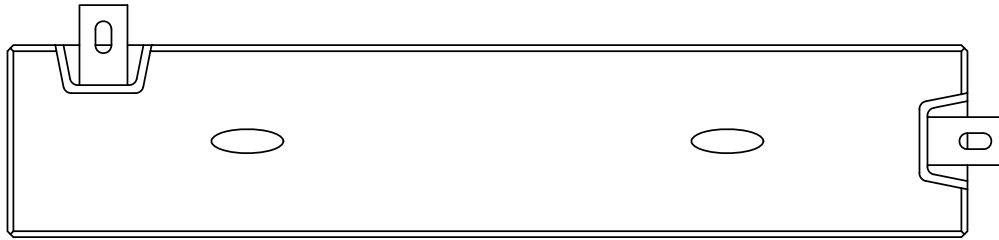
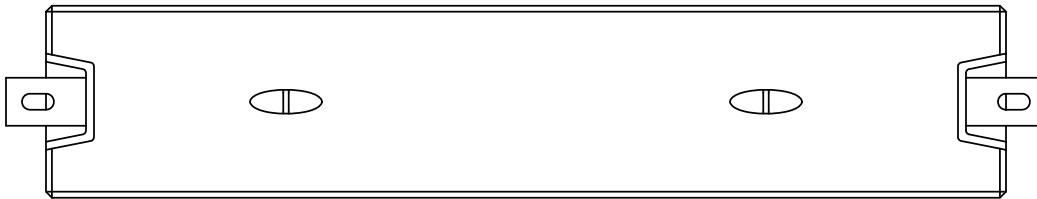


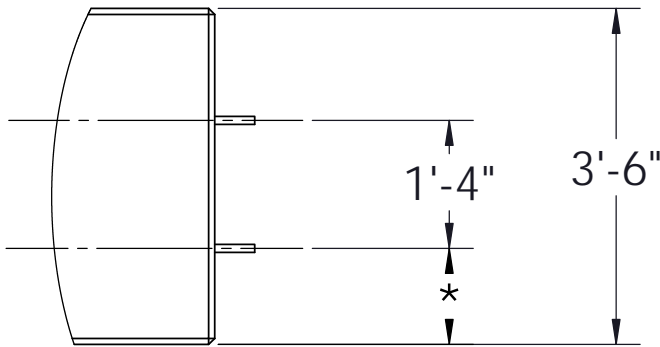
90 DEGREE "LEFT" BARRIER



90 DEGREE "RIGHT" BARRIER



STANDARD BARRIER



DETAIL OF CONNECTION
BAR LOCATIONS

* -
12" @ "H"
11" @ "T"
10" @ "L"

BARRIER CONNECTION STEEL
CONFIGURATIONS:
"H" MATES w/ "L" OR "T"
"L" MATES w/ "H" OR "T"
"T" MATES w/ "H" OR "L"

PROPRIETARY AND
CONFIDENTIAL

THE INFORMATION
CONTAINED IN THIS
DRAWING IS THE SOLE
PROPERTY OF KONTEK.
ANY PRODUCTION IN
PART OR AS A WHOLE
WITHOUT THE WRITTEN
PERMISSION OF KONTEK
IS PROHIBITED.

	NAME	DATE
DRAWN	GG	10/9/14
CHECKED	AB	10/9/14
APPROVED	RAN	10/9/14

SHEET SIZE A	SCALE NTS	REV. 0 10/9/14
---------------------------	--------------	-----------------------------

 **KONTEK**

805 McCombs Avenue
Kannapolis, NC 28083

VK8M-20K-50
Standard Configurations

DWG. NO.
VK8-1
SHEET 6-1