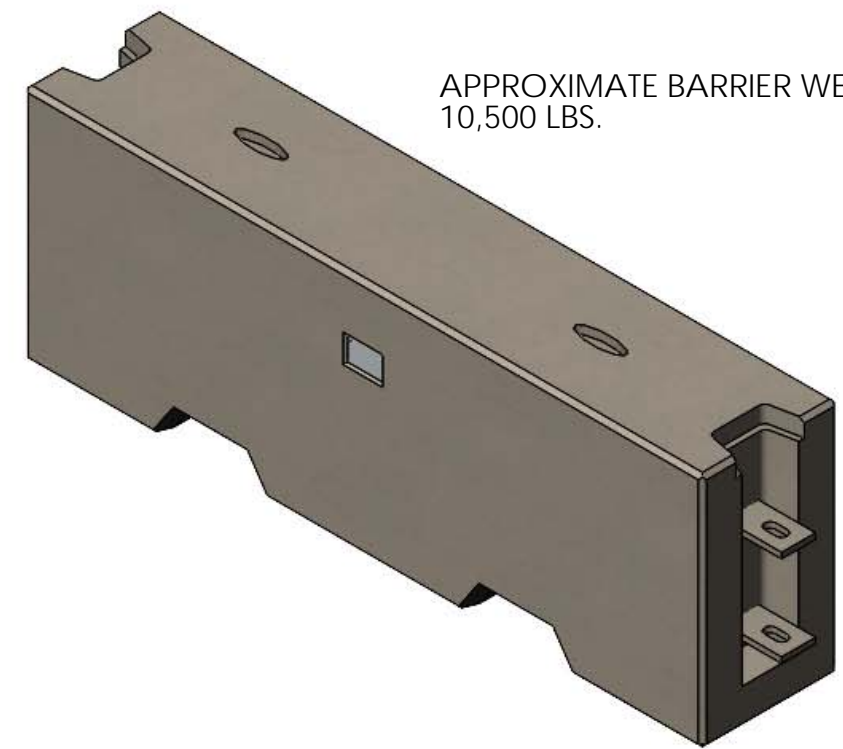
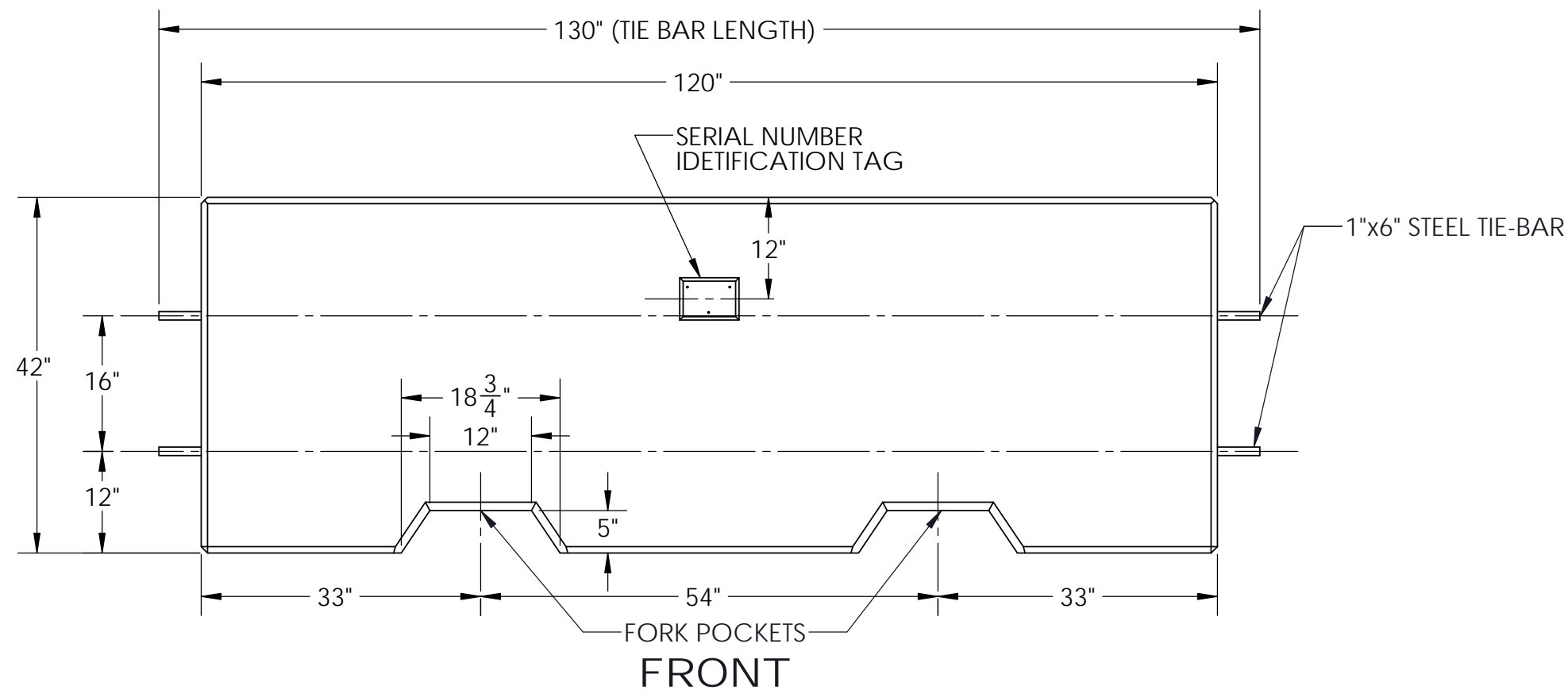


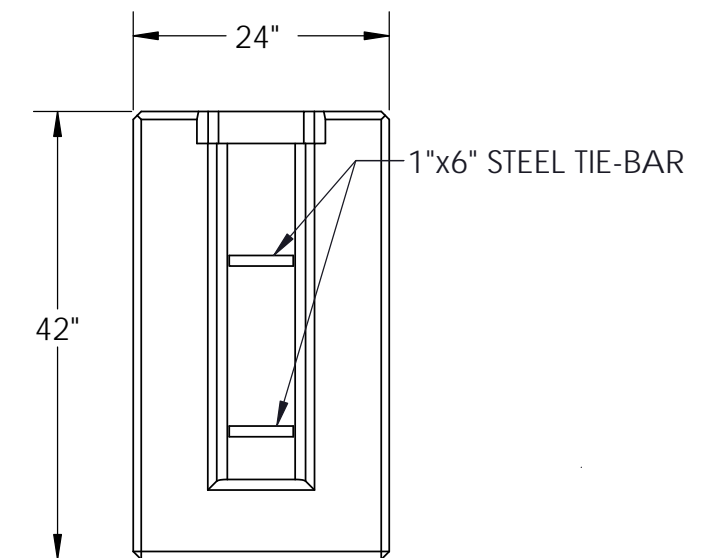
TOP



APPROXIMATE BARRIER WEIGHT:  
10,500 LBS.



FRONT



END

GENERAL NOTES:

1. ALL CONCRETE TO BE 5000 PSI.
2. ALL REBAR TO BE #6 GRADE 60.
3. 3/4" CHAMFER ALL EXPOSED CONCRETE EDGES.
4. ALL EXPOSED STEEL TO BE FINISHED w/"ZINC RICH" PRIMER.
5. FORK POCKETS NOT TYPICALLY PROVIDED ON BARRIERS SHORTER THAN 10FT OR ON TRANSITION BARRIERS.

U.S. PATENT #7144186

PROPRIETARY AND CONFIDENTIAL

THE INFORMATION CONTAINED IN THIS DRAWING IS THE SOLE PROPERTY OF KONTEK. ANY PRODUCTION IN PART OR AS A WHOLE WITHOUT THE WRITTEN PERMISSION OF KONTEK IS PROHIBITED.

	NAME	DATE
DRAWN	GG	1/30/17
CHECKED	AB	1/30/17
APPROVED	RAN	1/30/17
SHEET SIZE	SCALE	REV.
<b>B</b>	NTS	<b>0</b>
		1/30/17

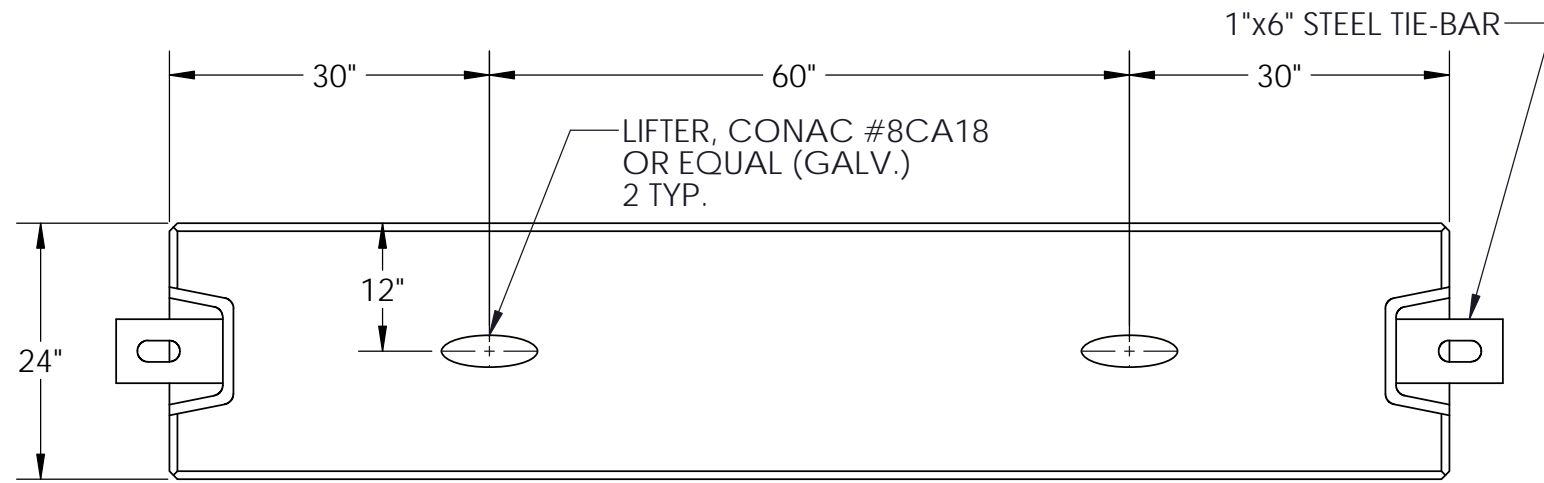


805 McCombs Avenue  
Kannapolis, NC 28083

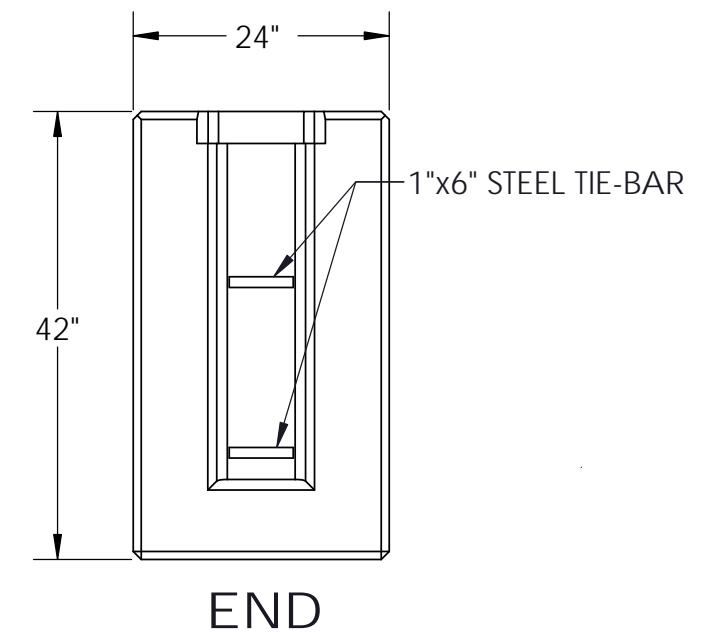
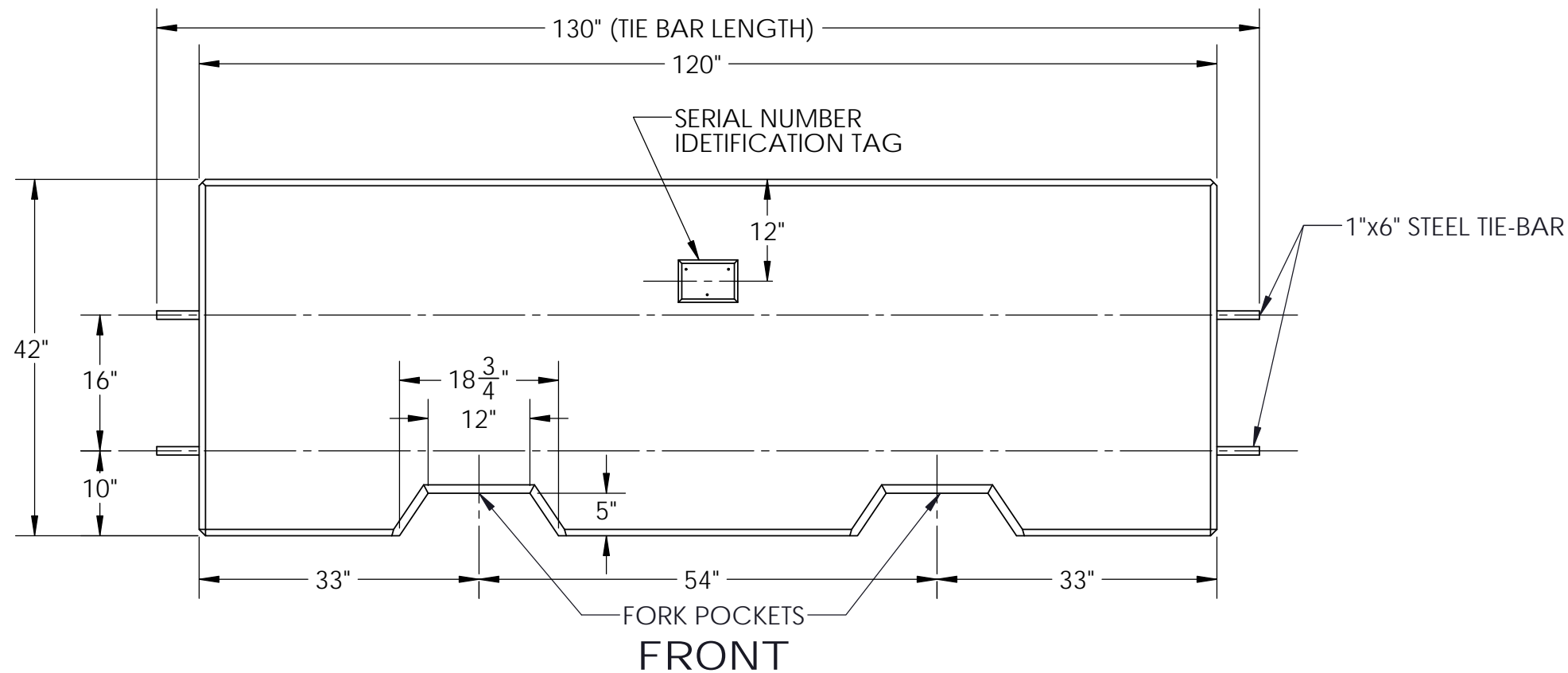
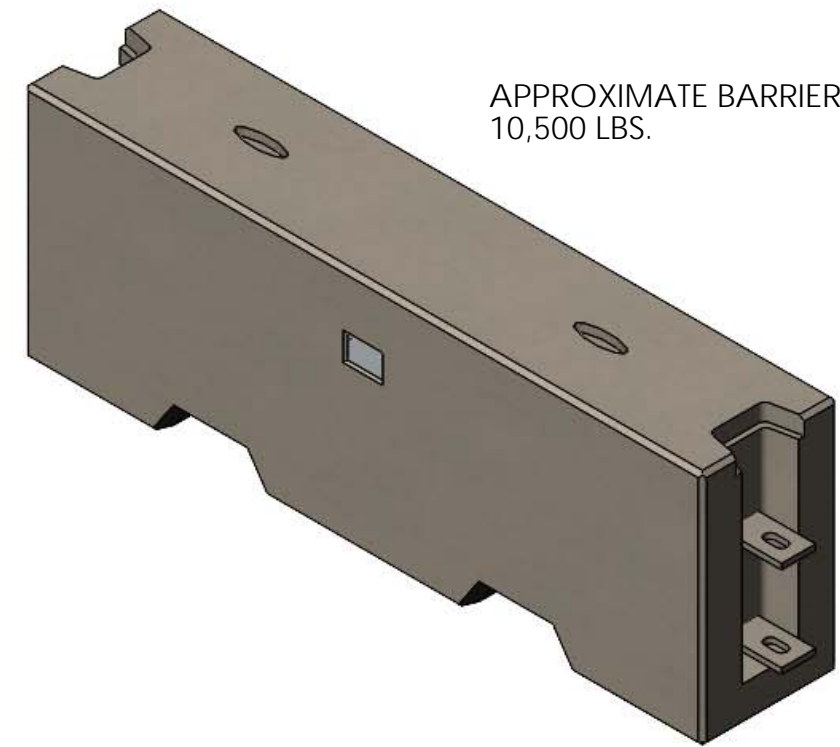
VBS  
VK8M-20K-50  
10 foot Standard VK8 - High

DWG. NO.  
**K18020**

SHEET 01(H)



TOP



GENERAL NOTES:

1. ALL CONCRETE TO BE 5000 PSI.
2. ALL REBAR TO BE #6 GRADE 60.
3. 3/4" CHAMFER ALL EXPOSED CONCRETE EDGES.
4. ALL EXPOSED STEEL TO BE FINISHED w/"ZINC RICH" PRIMER.
5. FORK POCKETS NOT TYPICALLY PROVIDED ON BARRIERS SHORTER THAN 10FT OR ON TRANSITION BARRIERS.

U.S. PATENT #7144186

PROPRIETARY AND CONFIDENTIAL

THE INFORMATION CONTAINED IN THIS DRAWING IS THE SOLE PROPERTY OF KONTEK. ANY PRODUCTION IN PART OR AS A WHOLE WITHOUT THE WRITTEN PERMISSION OF KONTEK IS PROHIBITED.

	NAME	DATE
DRAWN	GG	1/30/17
CHECKED	AB	1/30/17
APPROVED	RAN	1/30/17
SHEET SIZE	SCALE	REV.
<b>B</b>	NTS	<b>0</b>
		1/30/17



805 McCombs Avenue  
Kannapolis, NC 28083

VBS  
VK8M-20K-50  
10 foot Standard VK8 - Low

DWG. NO.  
**K18020**  
SHEET 02(L)