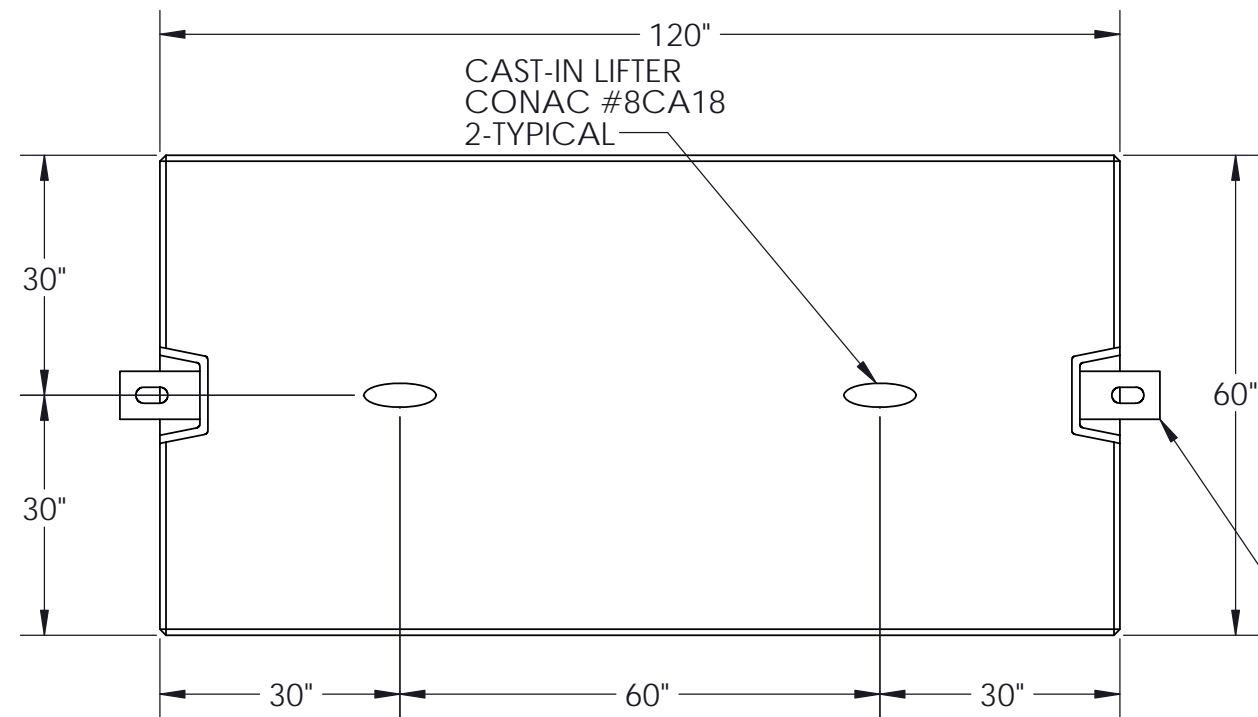
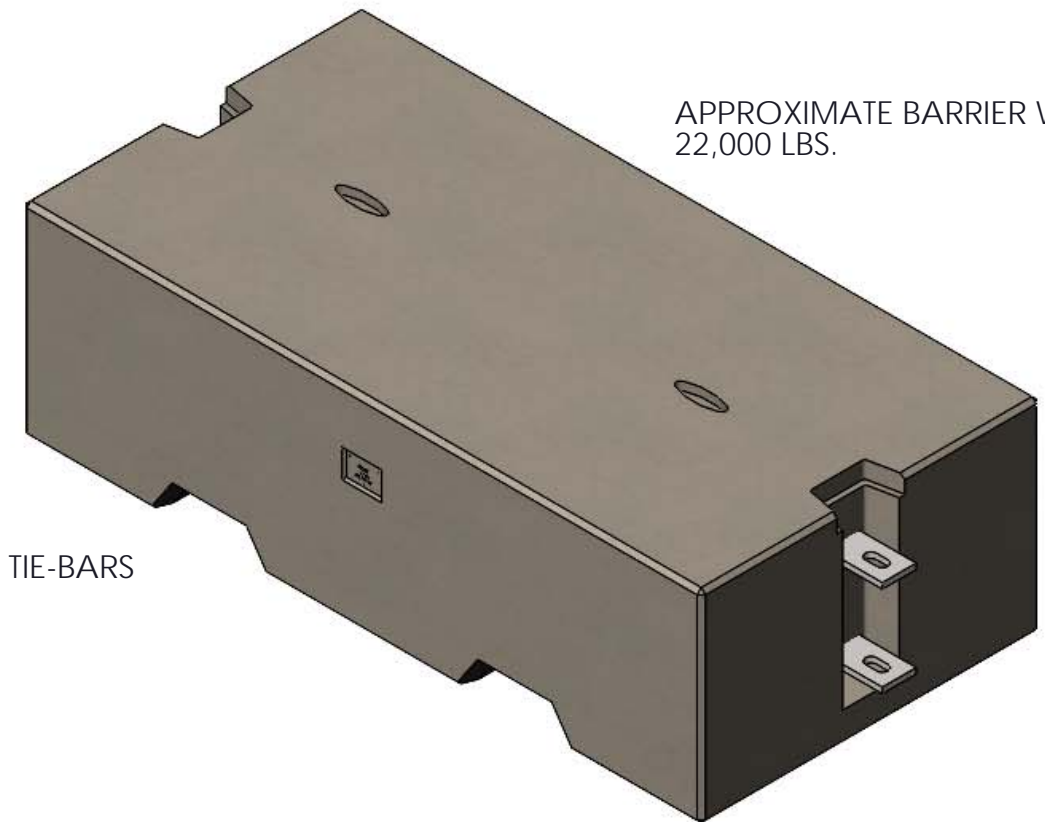


GENERAL NOTES

- 1) ALL CONCRETE TO BE 5000PSI MIN.
- 2) ALL REBAR TO BE #6 GRADE 60
- 3) 3/4" CHAMFER ALL EXPOSED CONCRETE EDGES
- 4) ALL EXPOSED STEEL TO FINISHED WITH ZINC RICH PRIMER

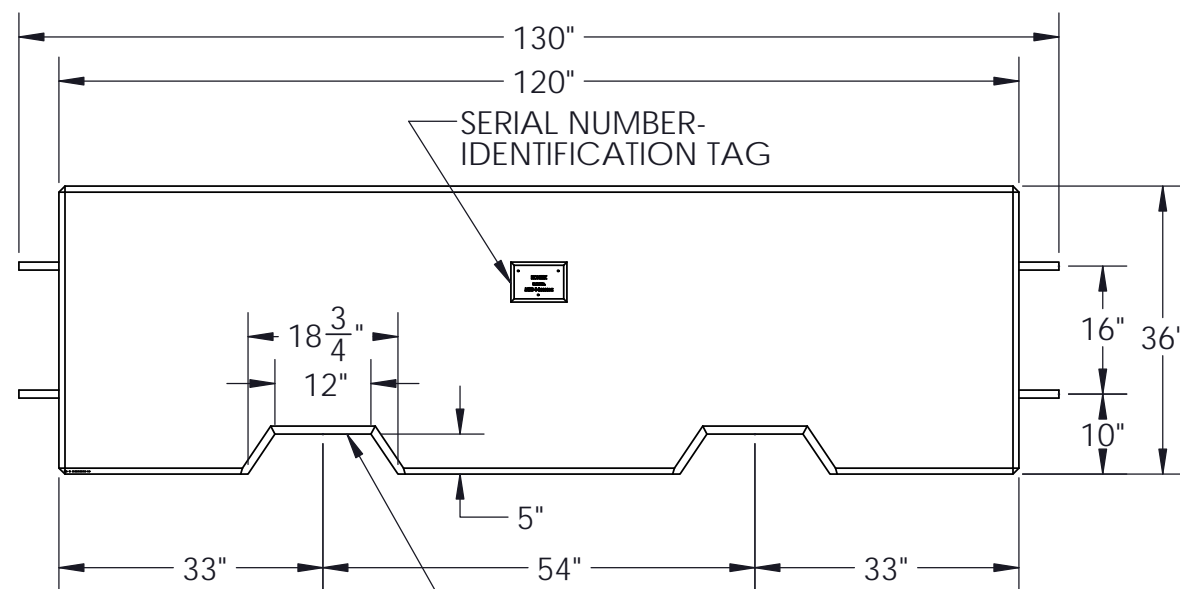


TOP VIEW

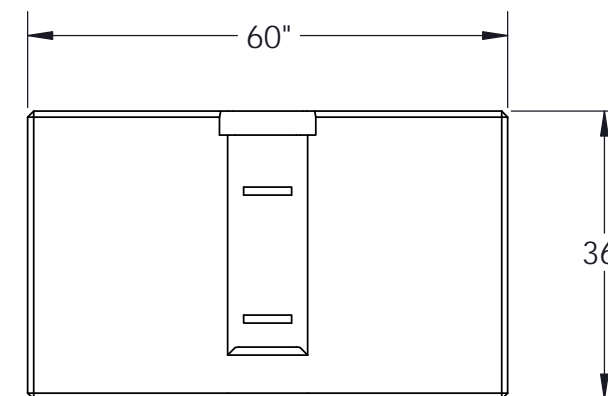


APPROXIMATE BARRIER WEIGHT:  
22,000 LBS.

(2) 1X6 STEEL TIE-BARS



FRONT VIEW



END VIEW

U.S. PATENT #7144186

PROPRIETARY AND  
CONFIDENTIAL

THE INFORMATION  
CONTAINED IN THIS  
DRAWING IS THE SOLE  
PROPERTY OF KONTEK.  
ANY PRODUCTION IN  
PART OR AS A WHOLE  
WITHOUT THE WRITTEN  
PERMISSION OF KONTEK  
IS PROHIBITED.

	NAME	DATE
DRAWN	GG	1/30/17
CHECKED	AB	1/30/17
APPROVED	RAN	1/30/17
SHEET SIZE <b>B</b>	SCALE 1/2" = 1'-0"	REV. <b>A</b> 1/30/17

**KONTEK**

805 McCombs Avenue  
Kannapolis, NC 28083

VBS  
MBB-200-20K-50-S  
10 foot Standard MBB - Low

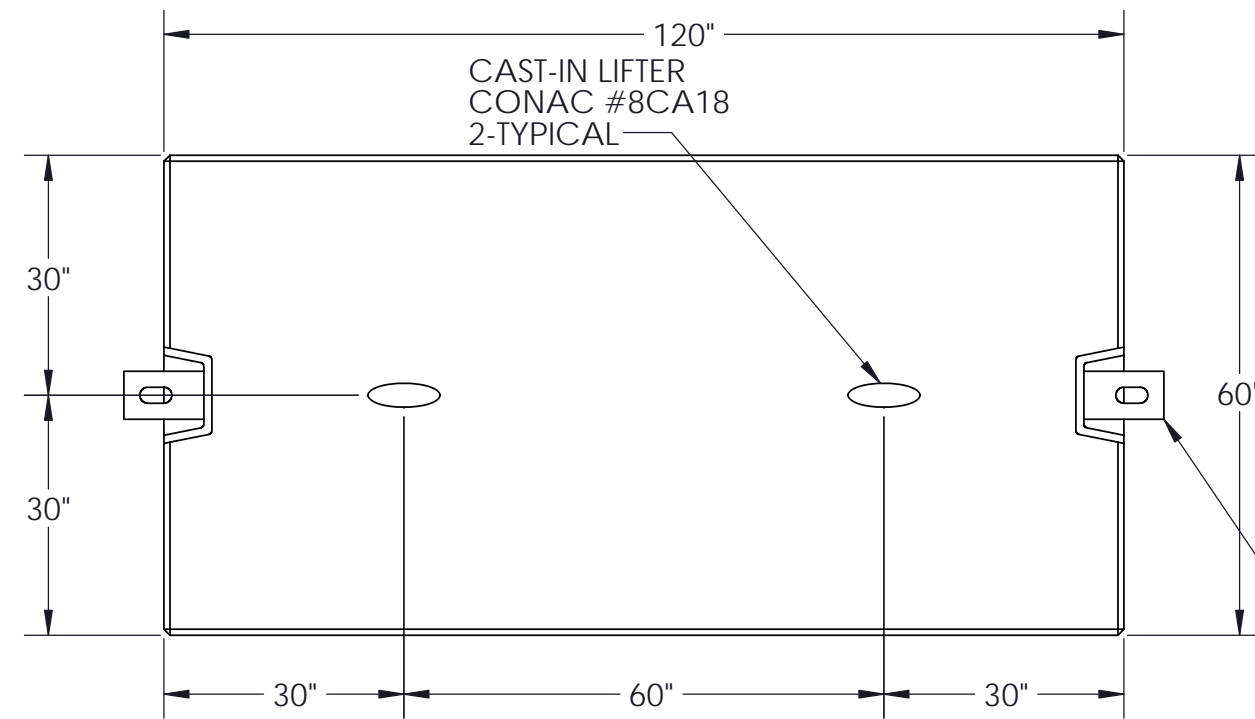
DWG. NO.  
**K17001**

SHEET 01

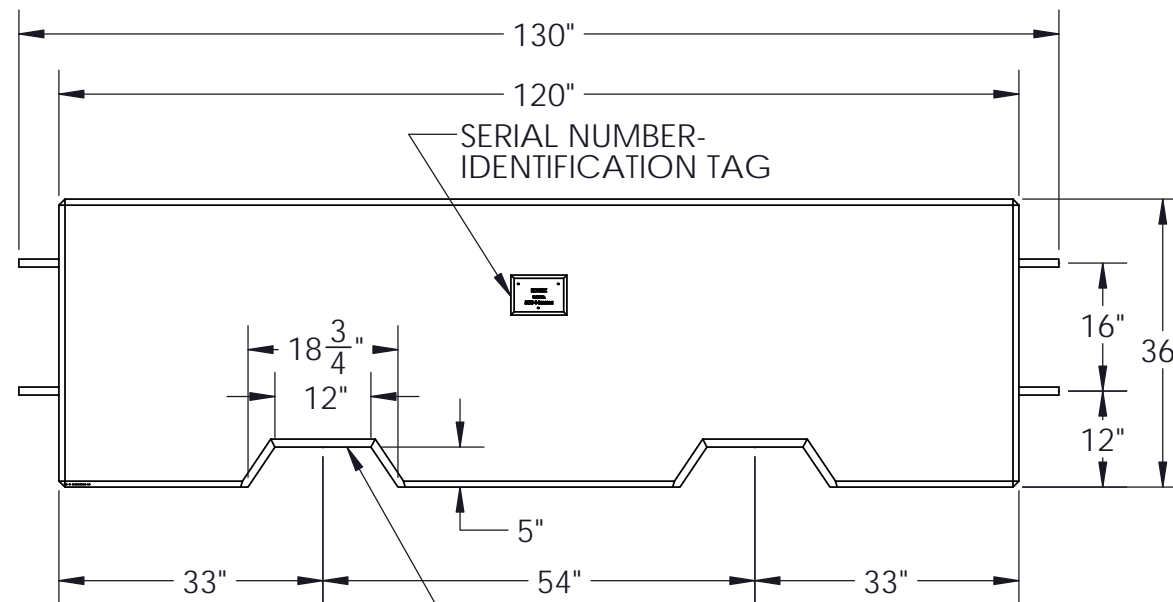
\* - FORK POCKETS NOT TYPICALLY  
PROVIDED ON BARRIERS SHORTER THAN  
10FT OR ON TRANSITION BARRIERS

GENERAL NOTES

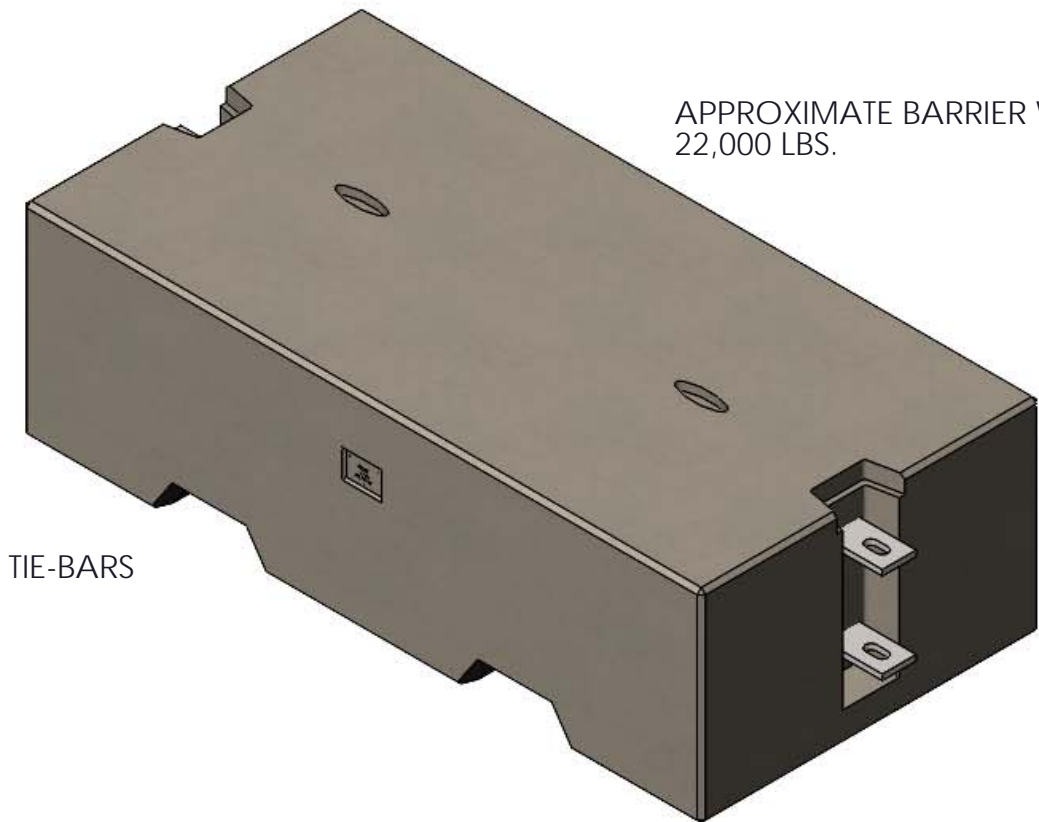
- 1) ALL CONCRETE TO BE 5000PSI MIN.
- 2) ALL REBAR TO BE #6 GRADE 60
- 3) 3/4" CHAMFER ALL EXPOSED CONCRETE EDGES
- 4) ALL EXPOSED STEEL TO FINISHED WITH ZINC RICH PRIMER



TOP VIEW

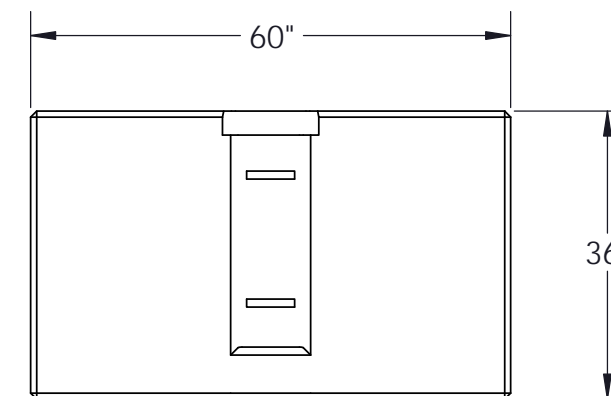


FRONT VIEW



APPROXIMATE BARRIER WEIGHT:  
22,000 LBS.

(2) 1X6 STEEL TIE-BARS



END VIEW

FORKLIFT POCKET  
2-TYPICAL \*

U.S. PATENT #7144186

PROPRIETARY AND  
CONFIDENTIAL

THE INFORMATION  
CONTAINED IN THIS  
DRAWING IS THE SOLE  
PROPERTY OF KONTEK.  
ANY PRODUCTION IN  
PART OR AS A WHOLE  
WITHOUT THE WRITTEN  
PERMISSION OF KONTEK  
IS PROHIBITED.

	NAME	DATE
DRAWN	GG	1/30/17
CHECKED	AB	1/30/17
APPROVED	RAN	1/30/17

SHEET SIZE	SCALE	REV.
<b>B</b>	1/2" = 1'-0"	<b>A</b>
		1/30/17

**KONTEK** 805 McCombs Avenue  
Kannapolis, NC 28083

VBS  
MBB-200-20K-50-S  
10 foot Standard MBB - High

DWG. NO.  
**K17001**  
SHEET 02

\* - FORK POCKETS NOT TYPICALLY PROVIDED ON BARRIERS SHORTER THAN 10FT OR ON TRANSITION BARRIERS