



OptiStile 220

Swinging Barrier Arm Optical Turnstile

The OptiStile 220 has been a staple within Gunnebo's product line since its inception. With proven results and reliability, the OptiStile 220 series of optical turnstiles with barrier arms is a welcomed choice in any environment. Available in either 42", 48", 60", or 72" long cabinets, the OptiStile 220 can be placed in tight spaces or extended lobbies where speed of throughput, security, and design are required.

Durable, full-time barrier arms provide increased access control suitable to a variety of environments. The combination of Gunnebo's years of proven optical technology and active barrier arms increases control and throughput, optimizes flow management, and ensures overall security within the building environment.

Custom options such as housing finishes and design, lid, and barrier arm options, along with access control reader integration (prox, biometric, visitor management, etc.) make this product a great solution where design and functionality are of utmost importance. Designed and built in the USA, the OptiStile 220 can be installed as a single ADA compliant lane or in combination with multiple lanes placed in parallel.

With the integration of Gunnebo HMI (Human Machine Interface) touchscreen or remote pushbutton desktop controller (DTC), the OptiStile 220 provides remote locations with everything needed to fully tailor, control, and optimize the optical turnstiles to their specific requirements.



OptiStile 220

Swinging Barrier Arm Optical Turnstile

TECHNICAL SPECIFICATIONS

Orientation	Bi-Directional	
Unit Dimensions	Casework Length	42.0", 48.0" (standard), 60.0", 72.0"
	Casework Height	37.66"
	Casework Width	6.50"
	Walkway Width Standard	28.0"
	Walkway Width ADA	36.0"
Drive	Motorized	
Materials	Pedestal	#4 horizontal grained stainless steel external cladding with mild steel internal frame assembly
	Pedestal Lid	#4 grained stainless steel or Corain type solid surface
	Barrier Arm	1"x1" #4 stainless steel hollow sections
Construction	Pedestals are constructed of a stainless steel frame. Small radius (3/16") casework construction and finishes applied such that no exposed seams appear at leading edges. Integrated side door panels easily removed for preventative maintenance.	
Function	1"x 1" stainless steel barrier arms are electronically controlled in both directions via direct drive intelligent positioning (DDIP) induction sensor control motor.	
Sensor Direction	Provided through industrial-duty infrared photoelectric beams.	
Operation	A card is presented to the customer-supplied access control reader mounted inside the casework. If authorized, the top green arrow pictogram light will point in the direction of passage and a chime will sound to indicate passage is authorized.	
Fire Alarm	Input facility, for voltage-free contact supplied by others to effect fail state.	
Power Supply	110VAC 60Hz (50Hz available). The circuit is fed via remote mounted step-down transformer supplied with the unit.	
Power Rating	Stand By	Less than 0.5 AMP
	In Operation	Up to 6.0 AMP
Logic Voltage	24VDC	
Flow Rates / Throughput	<p><i>Please note these figures are approximate and must be confirmed with Gunnebo Entrance Control Inc. Figures quoted are for one person per complete passage per walkway and per minute. It is assumed the access control authorization response is instantaneous. Flow rates will increase with multiple passage use.</i></p> <p>22 single users per minute, 38 multiple users per minute</p>	

OptiStile 220

Swinging Barrier Arm Optical Turnstile

OPERATIONAL MODES & NOTIFICATIONS

Operational Modes

The following modes can be set when the units are installed, and can be changed later through use of a remotely mounted pushbutton or touchscreen controller.

Purely Optical (Always Open) Mode

The barrier arms are not used, and only audible alarms will signal unauthorized access attempts or tailgating activity.

Full Time Barrier (Normally Closed) Mode

The barriers remain closed until a valid access control card is presented. Tailgaters and unauthorized entries are signaled by an alarm type tone. If an unauthorized card is presented, the lane will sound an alarm and the barriers will remain closed to prevent the user from proceeding further without intervention.

Pop-Out (Normally Open) Mode

The barriers remain retracted unless there is an invalid transaction attempted. The barriers never pop-out for free exit transactions. Tailgaters are still singled out with an alarm condition, but will not cause the barriers to close.

Standard Operating Modes

Switchable via optional pushbutton Desk Top Controller (DTC) or an optional digital touchscreen (HMI):

- Enter/Card In
- Exit/Card Out
- Free Exit/Card Out
- Optical or Barrier function
- Pop out Mode
- Close
- Reset

Audible Notification

Each lane of the OptiStile has four discrete sounds to indicate the following:

- One tone – Reminder to swipe card
- Chime – Access authorization
- Two tone – Lane alert
- Loud buzzer – Forced barrier

Pictogram Lights

1.97" diameter LED display pictograms are flush-mounted within the OptiStile lid top face (included as standard). The green card symbol is continuously illuminated indicating passage is available. Upon authorization a green arrow will illuminate in the direction of passage authorization, whilst in the opposite direction a red cross symbol will illuminate to indicate the unit is not available for use or is already in use. *See next page for pictogram light instructions.*

OptiStile 220

Swinging Barrier Arm Optical Turnstile

PICTOGRAM LIGHT INSTRUCTIONS

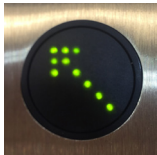
Uniquely designed Card Reader Pictograms are fitted into the OptiStile top, one each direction, to visually assist the user when passing through the unit.

Normal Use



Green Card

Present personal security card to the reader mounted upon the unit for authorization. Wait for the green arrow to illuminate and the barrier to open.



Green Arrow: Authorized Use or Designated Free Passage

Proceed through the unit. For FREE PASSAGE configuration, authorization is not required. Normally used for EXIT only.



Red Cross: Unit in Use or No Passage

Wait until the passageway has been vacated and for either the green card or green arrow to illuminate.

Alarm Conditions



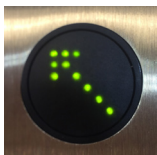
Flashing Red Cross and Audible Alarm: Fraudulent Condition

This alarm mode will be activated via the following scenarios: passageway is already in use and a 2nd person has attempted to follow through—tailgating—or passageway is currently in use and you do not have right of passage. *Do not panic:* vacate the passageway. Wait for the flashing red cross to stop flashing and the audible alarm to cease. Wait for the green arrow to illuminate to indicate who has the right of passage.



Flashing Green Card: Incorrect Use Mode

Do not panic: present card to the reader mounted on the unit for authorization. Authorization of passage will cancel the alarm condition.



Flashing Green Arrow: Emergency / Fire Exit

Do not panic: there is FREE PASSAGE to evacuate through the gate.

OptiStile 220

Swinging Barrier Arm Optical Turnstile

ACCESSORIES & DESIGN OPTIONS

Alternative Materials, Finishes, and Custom Design	<ul style="list-style-type: none"> • Refer to Gunnebo Entrance Control Inc. for specific material design requirements • Alternative top and casework materials • Custom pedestal dimensions
Card Reader Options	<ul style="list-style-type: none"> • Mounting integration of customer supplied readers into the OptiStile lid • Proximity, magnetic stripe, biometric or barcode readers all compatible • Barcode scanners mounted to accommodate visitor access and readable via an insertion method (slot) or scanning type
Remote Lane Control	<ul style="list-style-type: none"> • Simple pushbutton console to control the OptiStile • Custom remote pushbutton console to specific requirements • Digital HMI touchscreen with advanced controls • Remote lane control via personal computer, tablet, or smartphone
Alternative Mounting	Specialized mounting base platforms giving concealed cableway and requiring no drilling, trenching, or core drilling to the floor.
Infill Panels	Where extra space presents in a design, integrated or standalone space infill solutions can be provided.
Elevator Destination Dispatch	Mounting integration of customer supplied LCD screens for elevator destination dispatch systems.
Lane Lights and Logos	<ul style="list-style-type: none"> • Mounted upon the vertical front section of the OptiStile to act as traffic light flow control • Custom LED lane lighting • Custom logos and etching on OptiStile casework
Pressure Sensitive Lids	Pressure sensitive lids can be installed to provide 'jump over' alarm notification via both LED lights and an audible alarm. This option can be installed in both the entry and exit directions.

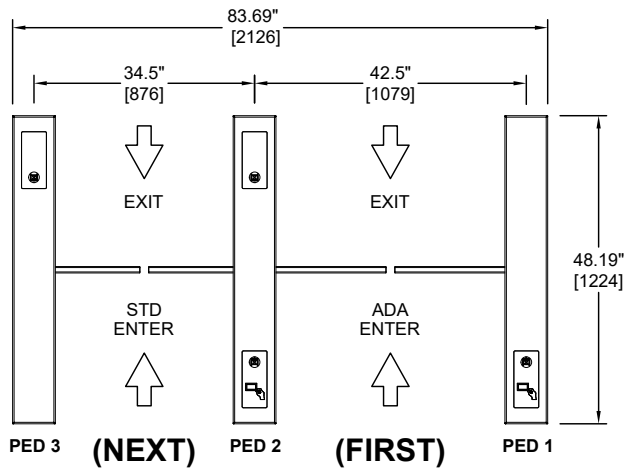


OptiStile 220

Swinging Barrier Arm Optical Turnstile

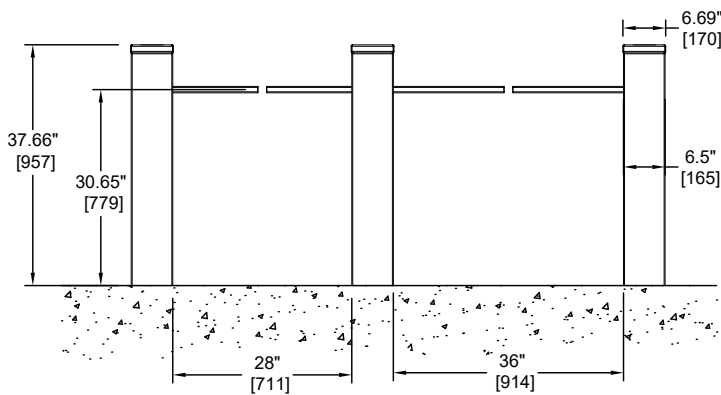
LAYOUT CONFIGURATION & STANDARD DIMENSIONS

For installation details, please refer to the installation manual.

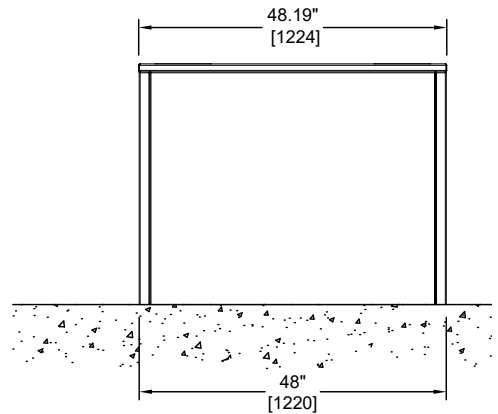


PLAN VIEW

OptiStile 220
Typical 2 Lane / 3 Pedestal Configuration
Card In/Free Exit



ELEVATION VIEW



SIDE VIEW

OptiStile 220

Swinging Barrier Arm Optical Turnstile

ADDITIONAL PHOTOS



OptiStile 220

Swinging Barrier Arm Optical Turnstile

CERTIFICATION & CONTACT

CSA certified to UL 325.

CLASS 6711 81 – Door Operating Units – Certified to US Standards

CLASS 6711 01 – Door Operating Units



Commercial pedestrian security turnstiles, permanently connected, models and ratings are as noted below:

TurnStile Model Optistile 220, rated 24Vac, 60 Hz, 3 A. Certified for use with 3R transformer 'Jefferson Electric', outdoor type enc 3, Cat 216-1151-00 or 416-1151-00. Rated 1.0kVA, 120/24'0V, Output 12/24.

- CAN/CSA-C22.2 No. 0-M91 – General Requirements – Canadian Electrical Code, Part II
- CAN/CSA-C22.2 No 0.4-04 – Bonding of Electrical Equipment
- CAN/CSA C22.2 No 247-92 – Operators and Systems of Doors, Gates, Draperies, and Louvers
- ANSI/UL 325-2009, 5thEd. – Standard for Door, Drapery, Gate, Louver, and Window Operators and Systems

For further information, please contact:

Gunnebo Entrance Control Inc.
535 Getty Ct., Benicia, CA 94510
Tel: 513-666-4821
Email: info@gunnebo.us
www.gunneboentrancesecurity.com

Gunnebo Entrance Control, Inc. is a company within the Gunnebo Group:

Gunnebo AB
Box 5181 SE-402 26 Goteborg, Sweden
Tel: +46 31 83 68 00
www.gunnebo.com

Note: In pursuit of its policy of continuous refinement and improvement, Gunnebo Entrance Control reserves the right to modify design and details at any time and without notice.

