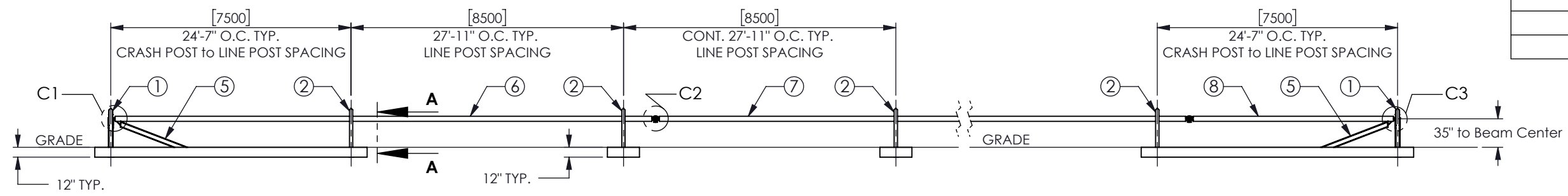
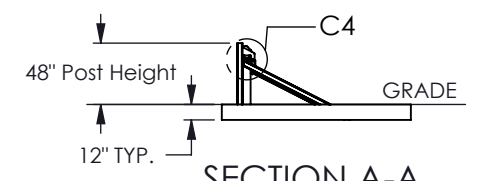


PLAN VIEW SYSTEM LAYOUT
SCALE 1 : 150

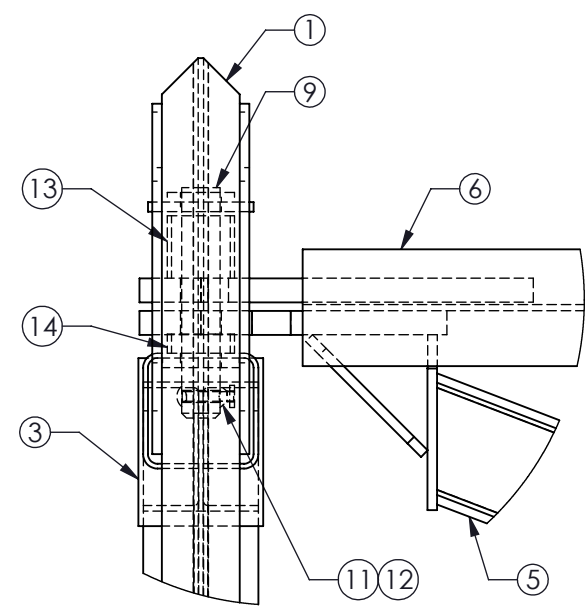
G-FORCE Brace and Beam B.O.M.		
#	ITEM NO.	DESCRIPTION
	1	Crash Post
	2	Line Post
	3	Crash Post Brace
	4	Line Post Brace
	5	Truss Brace
	6	Starting Crash Beam
	7	Floating Crash Beam
	8	Ending Crash Beam
	9	Post Pivot Pin
	10	Beam Pivot Pin
	11	Carriage Bolt
	12	Security Nut
	13	3.25" Pipe Spacer
	14	1" Pipe Spacer



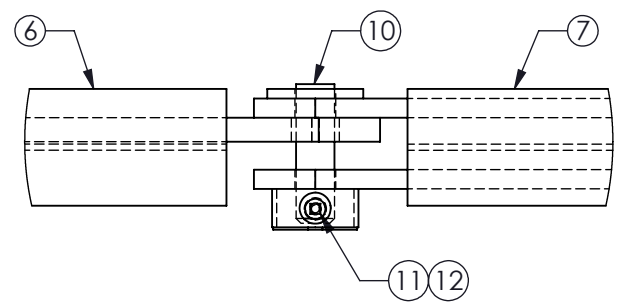
FRONT ELEVATION VIEW (ATTACK SIDE)
SCALE 1 : 150



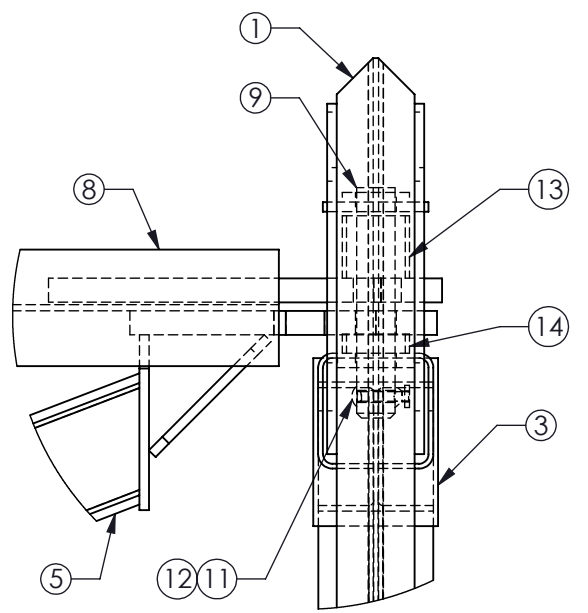
SECTION A-A
SCALE 1 : 150



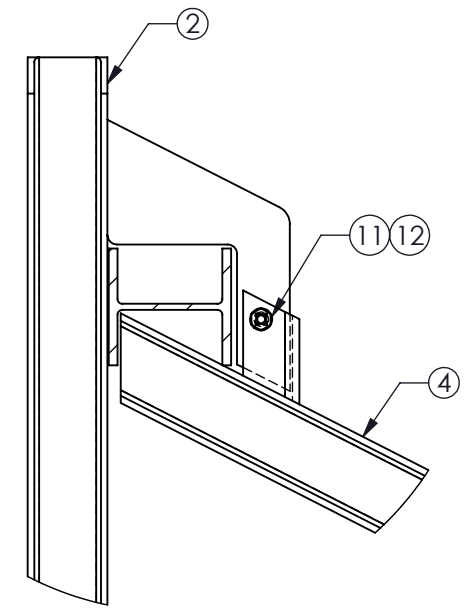
DETAIL C1
SCALE 1 : 10



DETAIL C2
SCALE 1 : 10



DETAIL C3
SCALE 1 : 10




DETAIL C4
SCALE 1 : 10

GENERAL NOTES

- For additional information contact Gibraltar at 1-800-495-8957.
- All concrete shall be per specification; min. 3500PSI with 5lbs per yard fiber. Fully assembly system prior to pouring concrete to ensure proper fit.
- The foundation dimensions shown represent the minimum requirements for the G-Force Brace and Beam Shallow Foundation stand alone system. Foundations reinforced with #5 and #8 rebar, and #4 rebar bands. See drawing# GFBB-SL02 for rebar installation details.
- The last Floating Crash Beam per run to be custom length to meet length of need.
- Gibraltar will provide site specific submittals and layout with part list for each individual project.

PROPRIETARY AND CONFIDENTIAL THE INFORMATION CONTAINED IN THIS DRAWING IS THE SOLE PROPERTY OF GIBALTAR. ANY REPRODUCTION IN PART OR AS A WHOLE WITHOUT THE WRITTEN PERMISSION OF GIBALTAR IS PROHIBITED.				
REV #	DESCRIPTION:	DRAWN BY:	APPD BY:	DATE:
1	Approved for distribution	EJ	BN	01-17-17
0	Issued for approval	EJ	JP	12-21-16

PRODUCT: G-Force Brace and Beam	SHEET DESCRIPTION: Shallow "Island" Foundation System Layout
	PROJECT: Standard
SCALE: VARIES	SHEET: 1 OF 1
DWG # GFBB-SL01	