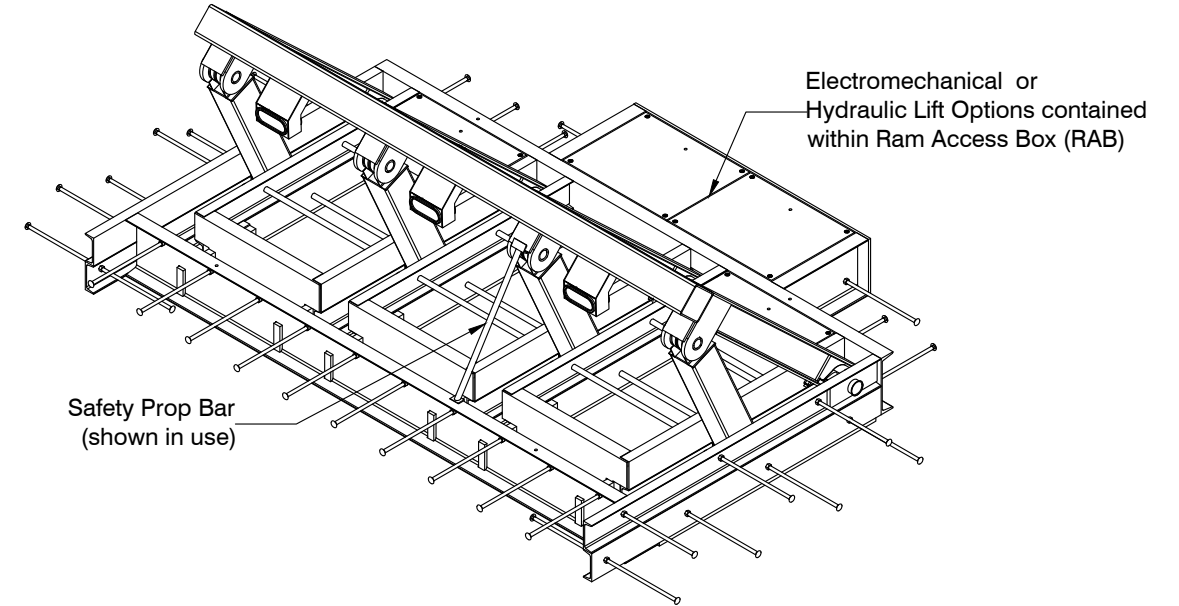


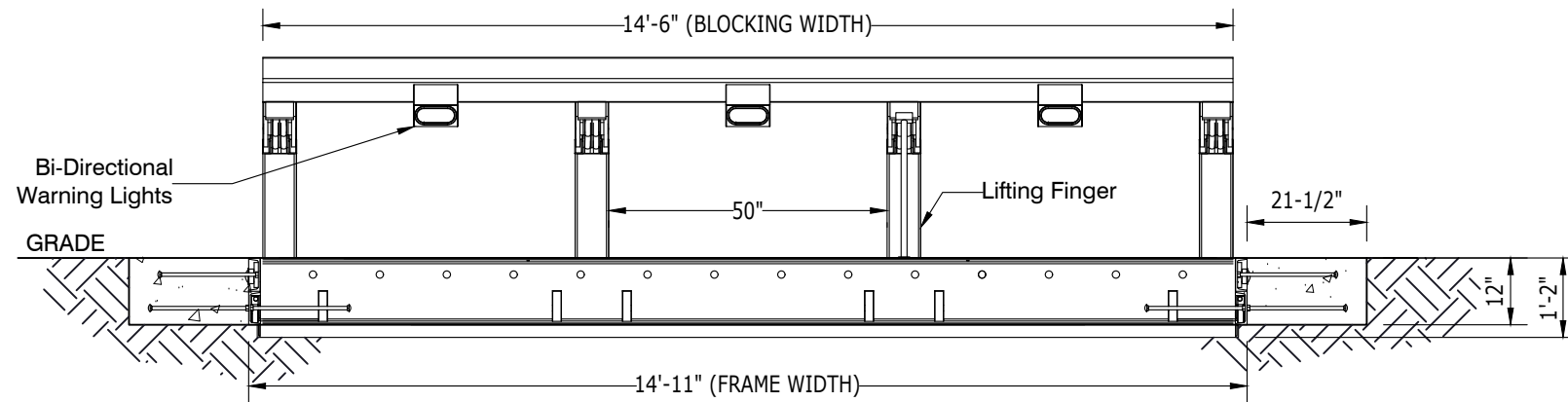
PLAN VIEW (DISENGAGED)

5/8" DIA. x 18" long Carriage Bolts installed on site. Provided by Gibraltar. (No Rebar Required)

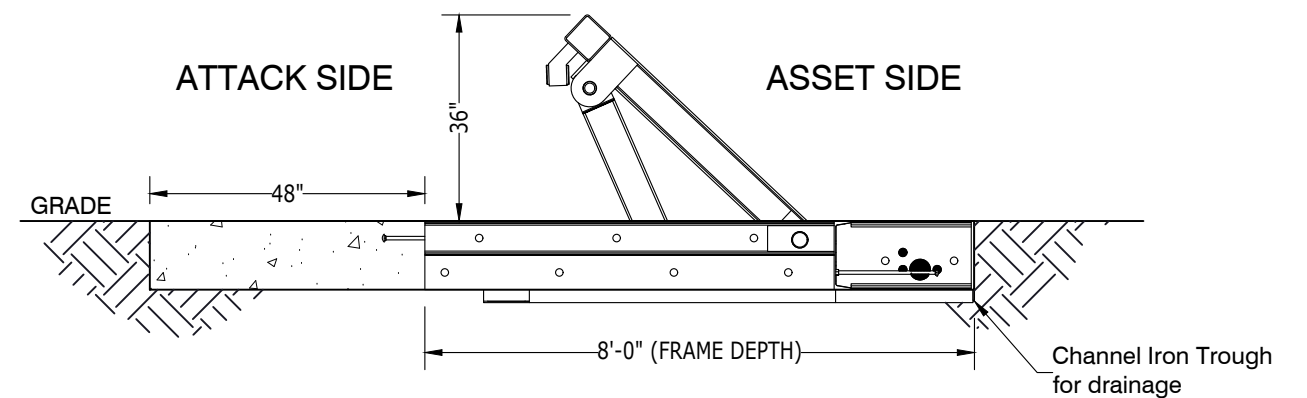
- ### GENERAL NOTES
1. For additional information contact Gibraltar at 1-800-495-8957.
 2. All concrete shall be per specification; minimum 3500PSI.
 3. The G-2000 Finger Wedge Barrier ranges in Blocking Width from 8ft to 14ft-6in with electromechanical or hydraulic lift options.
 4. As standard, the Sub-grade frame is Hot Dip Galvanized to ASTM A 123. Blocking frame to be coated per customer specification. This can be Galvanized, Powder Coated, or Wet Painted to include customer specified designs.
 5. Channel Iron is welded to the underside of all finger troughs and blocking member trough and sits 2" below sub-grade (not incased in concrete) with 3" DIA. holes for drainage purposes.




ISOMETRIC VIEW (ENGAGED)



ELEVATION VIEW (ENGAGED)



SIDE ELEVATION VIEW (ENGAGED)

PROPRIETARY AND CONFIDENTIAL THE INFORMATION CONTAINED IN THIS DRAWING IS THE SOLE PROPERTY OF GIBRALTAR. ANY REPRODUCTION IN PART OR AS A WHOLE WITHOUT THE WRITTEN PERMISSION OF GIBRALTAR IS PROHIBITED.				PRODUCT: G-2146 Wedge Barrier	DESCRIPTION: (M50 P1) 14ft-6in Wedge Barrier																												
<table border="1"> <thead> <tr> <th>REV #</th> <th>DESCRIPTION:</th> <th>DRAWN BY:</th> <th>APPD BY:</th> <th>DATE:</th> </tr> </thead> <tbody> <tr> <td>4</td> <td>Updated power and controls access holes</td> <td>JP</td> <td>PL</td> <td>04-19-17</td> </tr> <tr> <td>3</td> <td>Added frame width and depth</td> <td>JP</td> <td>JH</td> <td>03-01-17</td> </tr> <tr> <td>2</td> <td>Converted from SW to AutoCAD</td> <td>EJ</td> <td>JP</td> <td>04-12-16</td> </tr> <tr> <td>1</td> <td>Approved for distribution</td> <td>EJ</td> <td>BN</td> <td>12-21-15</td> </tr> <tr> <td>0</td> <td>Issued for Approval</td> <td>EJ</td> <td>JP</td> <td>12-21-15</td> </tr> </tbody> </table>	REV #	DESCRIPTION:	DRAWN BY:	APPD BY:	DATE:	4	Updated power and controls access holes	JP	PL	04-19-17	3	Added frame width and depth	JP	JH	03-01-17	2	Converted from SW to AutoCAD	EJ	JP	04-12-16	1	Approved for distribution	EJ	BN	12-21-15	0	Issued for Approval	EJ	JP	12-21-15			PROJECT: STANDARD
REV #	DESCRIPTION:	DRAWN BY:	APPD BY:	DATE:																													
4	Updated power and controls access holes	JP	PL	04-19-17																													
3	Added frame width and depth	JP	JH	03-01-17																													
2	Converted from SW to AutoCAD	EJ	JP	04-12-16																													
1	Approved for distribution	EJ	BN	12-21-15																													
0	Issued for Approval	EJ	JP	12-21-15																													
		SCALE: NTS	SHEET: 1 OF 1	DWG # G-2146-SL																													