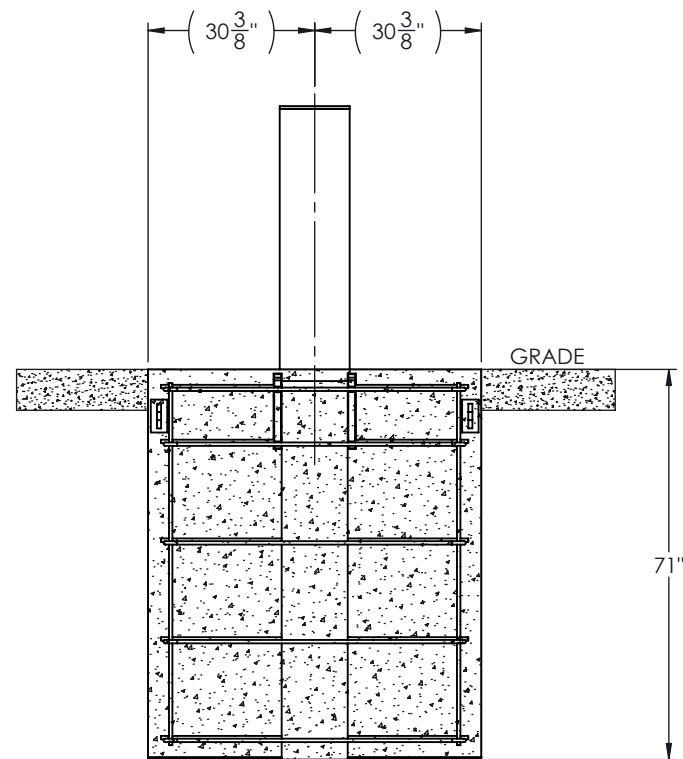
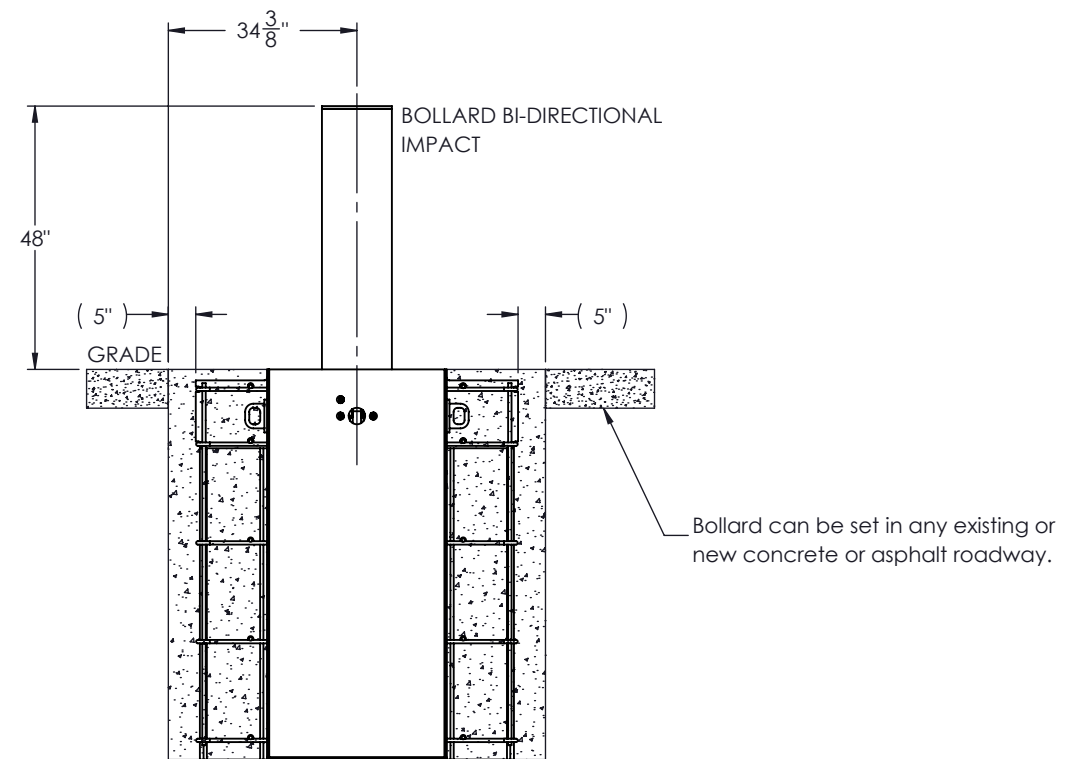
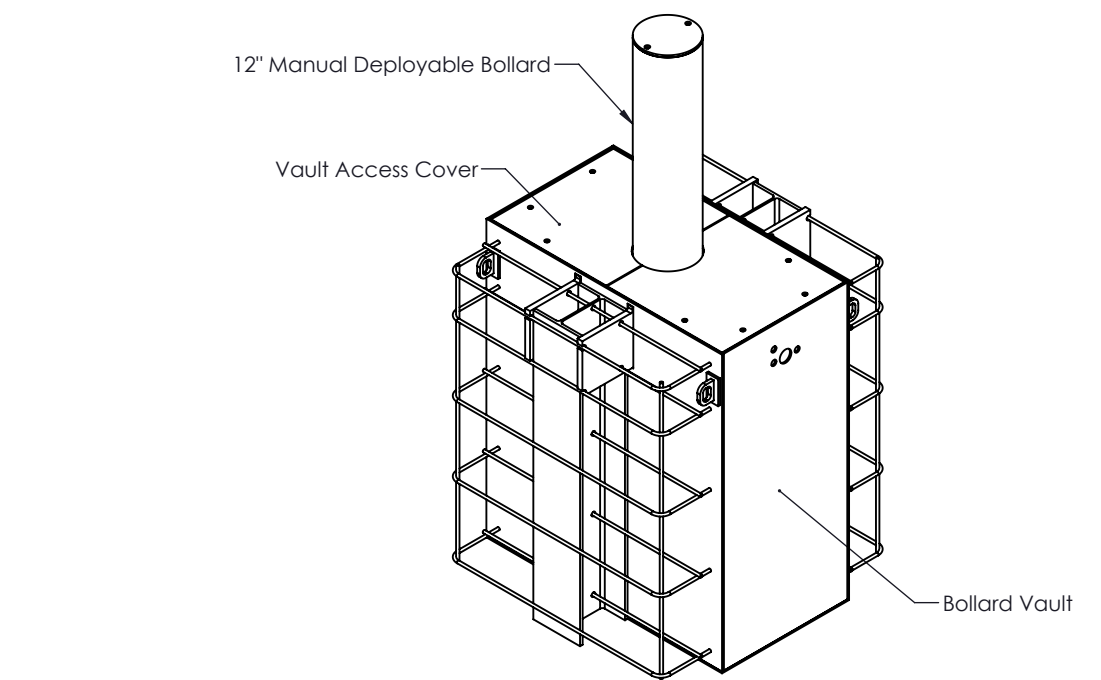


PLAN VIEW
SCALE 1 : 35



FRONT ELEVATION VIEW
SCALE 1 : 35

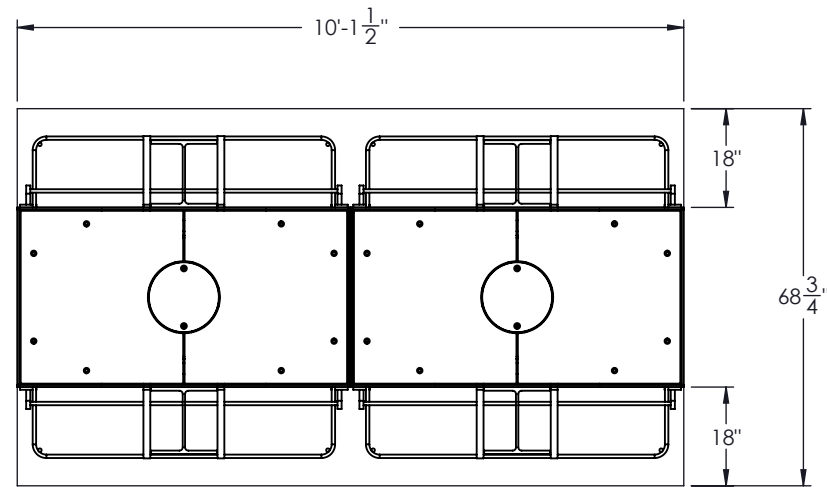


SIDE ELEVATION VIEW
SCALE 1 : 35

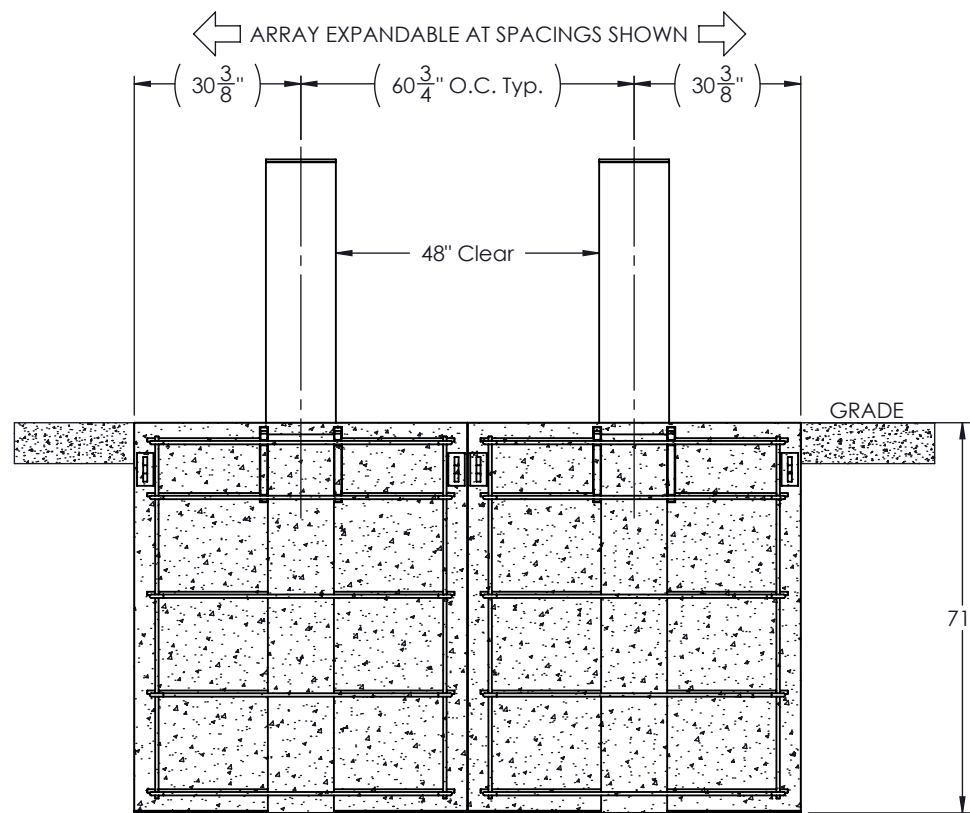
GENERAL NOTES:

1. For additional information contact Gibraltar at 1-800-495-8957.
2. All concrete shall be per specification, minimum 4,000 psi.
3. All rebar #5 Grade 60 and shall have 3" clear cover.
 - Rebar welded supplied as shown by Gibraltar.
4. The foundation dimensions for this bollard represents the certified minimum.
5. Engineered to M50 P1 when installed as an array of 2 or more bollards.

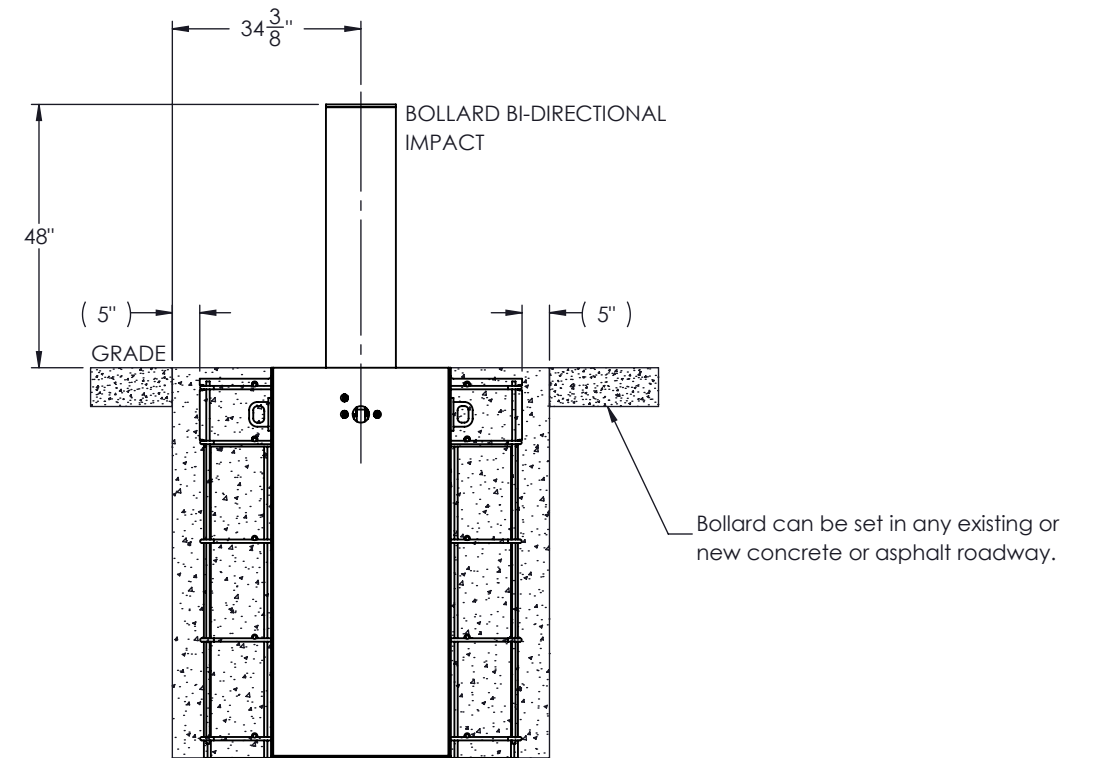
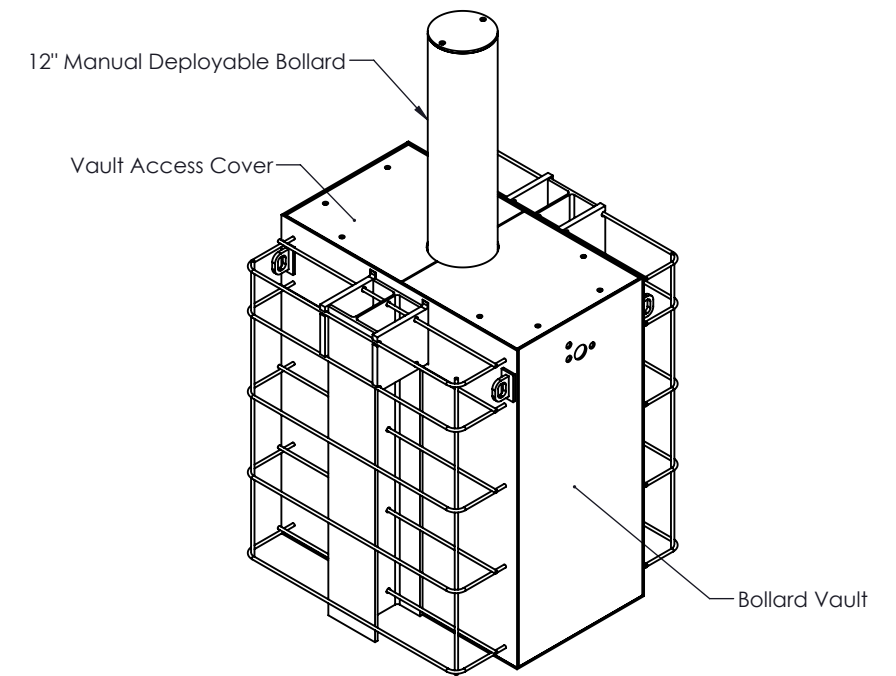
PROPRIETARY AND CONFIDENTIAL THE INFORMATION CONTAINED IN THIS DRAWING IS THE SOLE PROPERTY OF GIBRALTAR. ANY REPRODUCTION IN PART OR AS A WHOLE WITHOUT THE WRITTEN PERMISSION OF GIBRALTAR IS PROHIBITED.				PRODUCT: G-1752	SHEET DESCRIPTION: M50 P2 Single Bollard Retractable Bollard System																				
<table border="1"> <thead> <tr> <th>REV #</th> <th>DESCRIPTION:</th> <th>DRAWN BY:</th> <th>APPD BY:</th> <th>DATE:</th> </tr> </thead> <tbody> <tr> <td>2</td> <td>Updated spacing and Engineering notes</td> <td>KW</td> <td>JP</td> <td>08/24/2020</td> </tr> <tr> <td>1</td> <td>Released with dual and single bollard configuration</td> <td>JP</td> <td>JH</td> <td>05/19/2020</td> </tr> <tr> <td>0</td> <td>Approved for distribution</td> <td>JP</td> <td>JP</td> <td>05/18/2020</td> </tr> </tbody> </table>	REV #	DESCRIPTION:	DRAWN BY:	APPD BY:	DATE:	2	Updated spacing and Engineering notes	KW	JP	08/24/2020	1	Released with dual and single bollard configuration	JP	JH	05/19/2020	0	Approved for distribution	JP	JP	05/18/2020				PROJECT: Standard	
REV #	DESCRIPTION:	DRAWN BY:	APPD BY:	DATE:																					
2	Updated spacing and Engineering notes	KW	JP	08/24/2020																					
1	Released with dual and single bollard configuration	JP	JH	05/19/2020																					
0	Approved for distribution	JP	JP	05/18/2020																					
		SCALE:	SHEET:	DWG #																					
		Varies	1 OF 3	G-1752-1																					



PLAN VIEW
SCALE 1 : 35



FRONT ELEVATION VIEW
SCALE 1 : 35

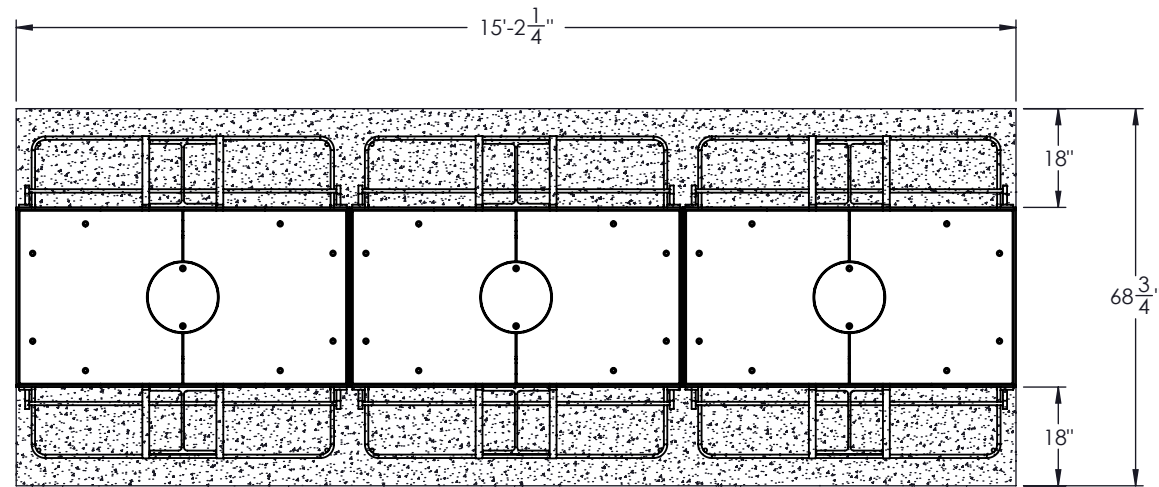


SIDE ELEVATION VIEW
SCALE 1 : 35

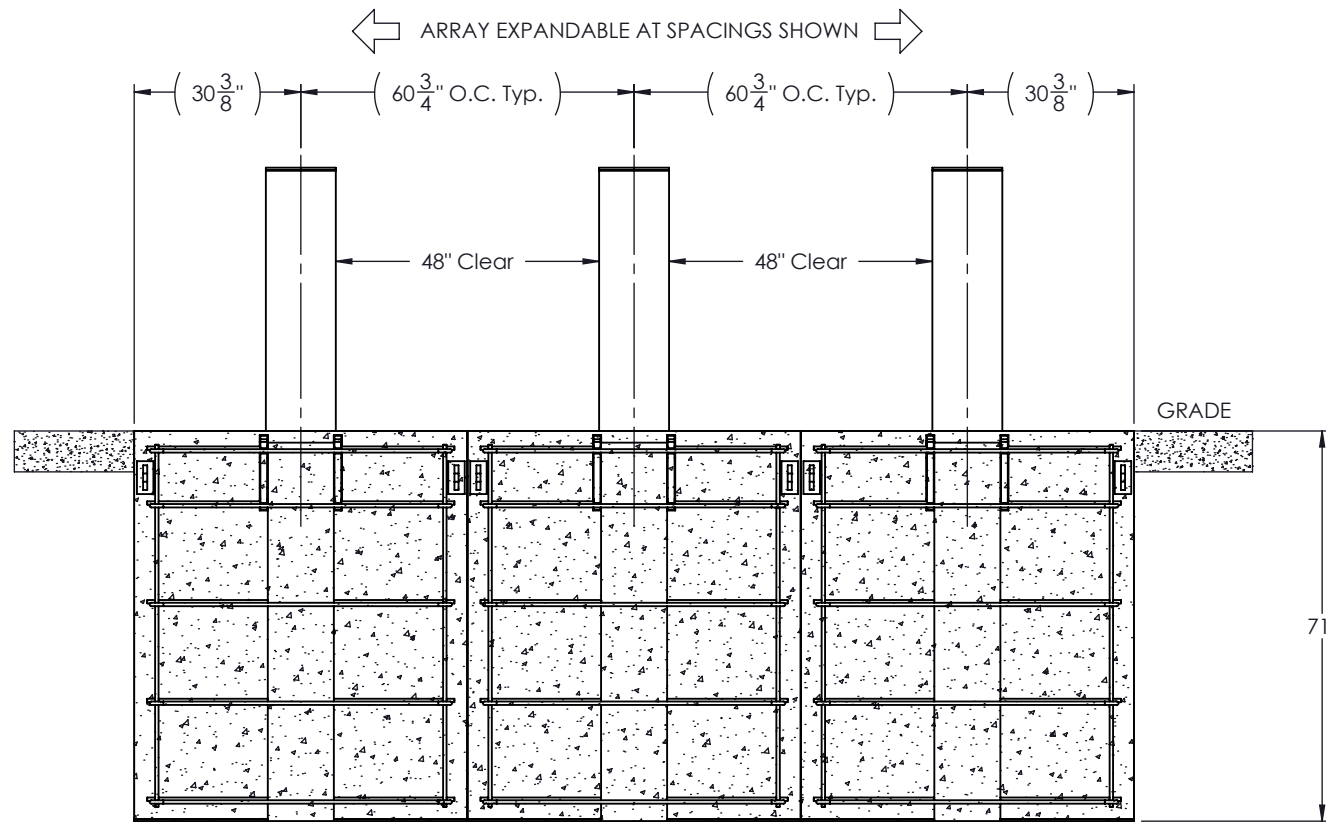
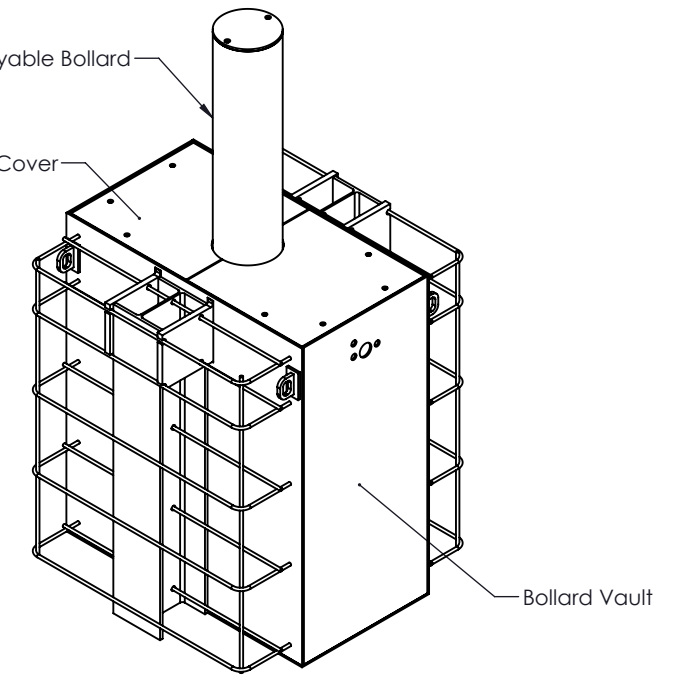
GENERAL NOTES:

1. For additional information contact Gibraltar at 1-800-495-8957.
2. All concrete shall be per specification, minimum 4,000 psi.
3. All rebar #5 Grade 60 and shall have 3" clear cover.
 - Rebar welded supplied as shown by Gibraltar.
4. The foundation dimensions for each individual bollard represent the certified minimum.
5. Engineered to M50 P1 when installed as an array of 2 or more bollards.

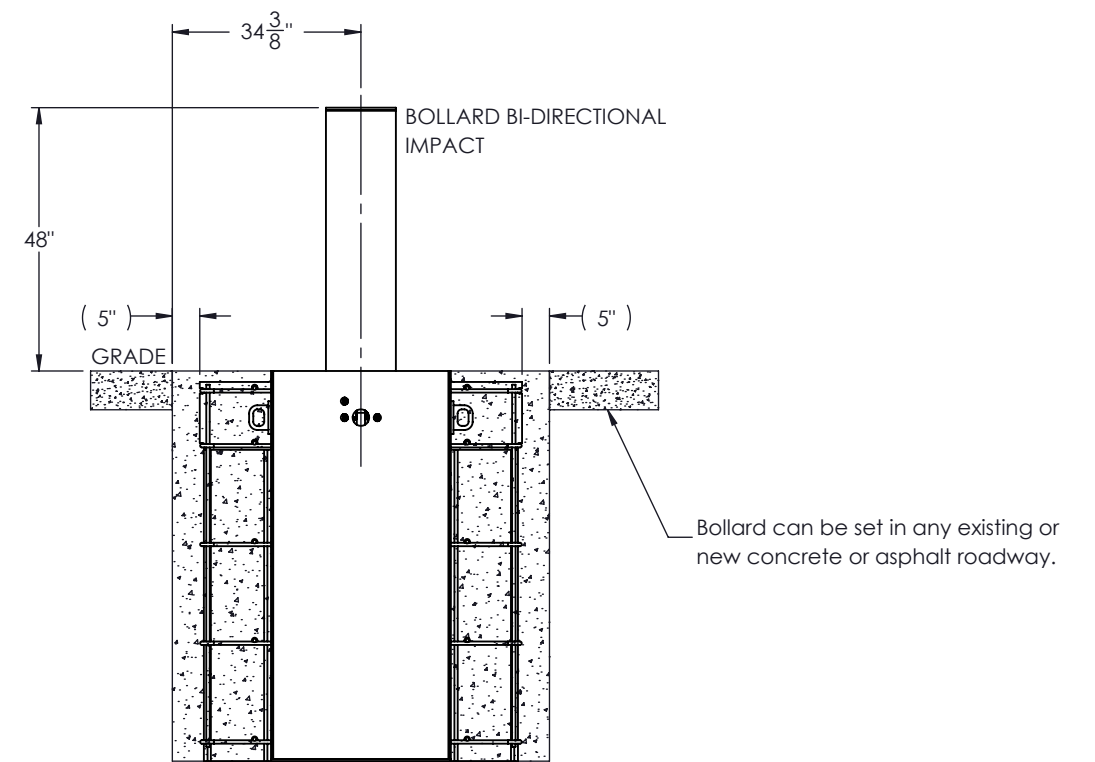
PROPRIETARY AND CONFIDENTIAL THE INFORMATION CONTAINED IN THIS DRAWING IS THE SOLE PROPERTY OF GIBRALTAR. ANY REPRODUCTION IN PART OR AS A WHOLE WITHOUT THE WRITTEN PERMISSION OF GIBRALTAR IS PROHIBITED.				PRODUCT: G-1752	SHEET DESCRIPTION: M50 P2 2 Bollard Retractable Bollard System
REV # 2 1 0	DESCRIPTION: Updated spacing and Engineering notes Released with dual and single bollard configuration Approved for distribution	DRAWN BY: KW JP JP	APPD BY: JP JH JP	DATE: 08/24/2020 05/19/2020 05/18/2020	PROJECT: Standard
					SCALE: Varies SHEET: 2 OF 3 DWG #: G-1752-1



PLAN VIEW
SCALE 1 : 35



FRONT ELEVATION VIEW
SCALE 1 : 35



SIDE ELEVATION VIEW
SCALE 1 : 35

GENERAL NOTES:

1. For additional information contact Gibraltar at 1-800-495-8957.
2. All concrete shall be per specification, minimum 4,000 psi.
3. All rebar #5 Grade 60 and shall have 3" clear cover.
 - Rebar welded supplied as shown by Gibraltar.
4. The foundation dimensions for each individual bollard represent the certified minimum.
5. Engineered to M50 P1 when installed as an array of 2 or more bollards.

PROPRIETARY AND CONFIDENTIAL THE INFORMATION CONTAINED IN THIS DRAWING IS THE SOLE PROPERTY OF GIBRALTAR. ANY REPRODUCTION IN PART OR AS A WHOLE WITHOUT THE WRITTEN PERMISSION OF GIBRALTAR IS PROHIBITED.				PRODUCT: G-1752	SHEET DESCRIPTION: M50 P2 3 Bollard Retractable Bollard System
REV # 2 1 0	DESCRIPTION: Updated spacing and Engineering notes Released with dual and single bollard configuration Approved for distribution	DRAWN BY: KW JP JP	APPD BY: JP JH JP	DATE: 08/24/2020 05/19/2020 05/18/2020	PROJECT: Standard
					SCALE: Varies SHEET: 3 OF 3 DWG #: G-1752-1