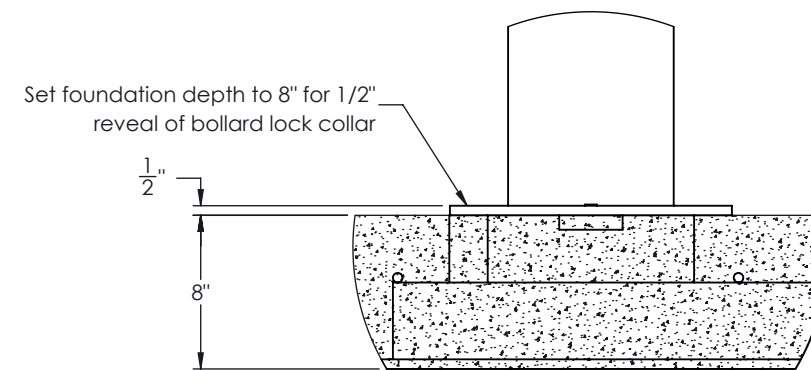


GENERAL NOTES:

1. For additional information contact Gibraltar at 1-800-495-8957.
2. All concrete shall be per specification; minimum 3,500 PSI.
3. Square openings can be boxed out in the location of bollards or set as part of monolithic pour with surrounding pad.
4. #4 x 12" rebar dowels not provided by Gibraltar. No other rebar is required for the bollard portion of the installation.
5. Threat side face of bollard shall be installed greater than 18" from face of curb.
6. The G-1631R Removable Bollard is tested and certified to ASTM F3016 with a rating of S30 P1.
7. Bollard coated per customer specification.



SCALE 1 : 10

PROPRIETARY AND CONFIDENTIAL THE INFORMATION CONTAINED IN THIS DRAWING IS THE SOLE PROPERTY OF GIBRALTAR. ANY REPRODUCTION IN PART OR AS A WHOLE WITHOUT THE WRITTEN PERMISSION OF GIBRALTAR IS PROHIBITED.					PRODUCT: G-1631R	SHEET DESCRIPTION: S30 P1 Removable Bollard		
REV # 0	DESCRIPTION: Approved for distribution	DRAWN BY: DP	APPD BY: JP	DATE: 01/23/2020		PROJECT: Standard		
						SCALE: Varies	SHEET: 1 OF 1	DWG # G-1631R-SL