



PARB

Portable Anti-Ram Barrier

Certified Vehicle Barrier



Defense Systems
Force Protection Experts

About G.G. Defense Systems Ltd.

- Founded in 2007, our company offers solutions for various defense and HLS threats from blast mitigation to ballistic protection, from simple vandalism crimes to massive terrorist attacks.
- Our company provides solutions for complex protection applications, combining experience in force protection solutions and an extensive knowledge of materials and technologies.
- Our range of products and solutions comprise also light composite ballistic panels, personal protective plates and bullet-proof body armor.

Our Clients



PARB:

Portable Anti-Ram Barrier

Fully portable and movable barrier



PARB Protecting UEFA Champions League Final
Madrid 2019



PARB: Live Tested on Medium and Heavy Size Vehicles

- Fully portable and movable barrier
- Light weight
- Quick and easy assembly, no tools required
- Modular
- Requires minimum storage space
- Cost effective
- Certifications:
 - › IWA 14-1:2013 V/7200 [N3C]/48/90:15
 - › BSI PAS68:2013 V/7500[N3]/48/90:13.6
 - › ASTM F2656-18 standard: C730/7200 P3



PARB: Certified Tests on Heavy Vehicles

passed on June 6, 2018.

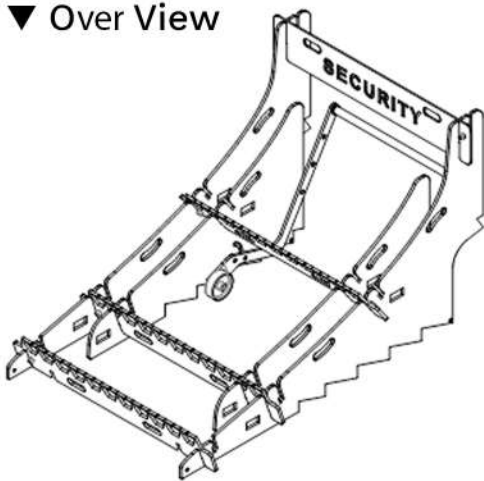
- Full stop of 7.5 Ton (16535 lbs.) vehicle at 50 km/h (31 MPH) reached after 13.6 Meter (45 feet)
- Flat tires
- Broken front axles
- Steering wheel system destroyed
- Fuel tank punctured and severely damaged
- Vehicle is immobilized



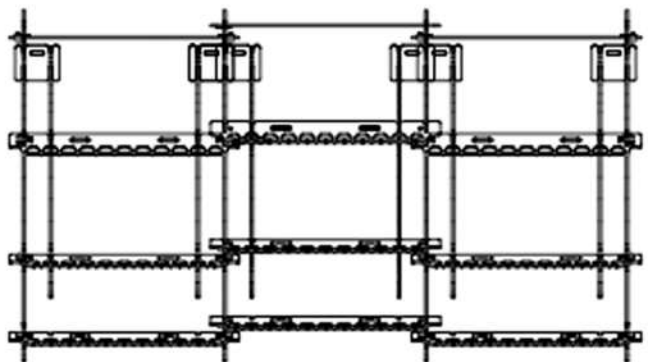
PARB: Properties & Drawings

- Time to deploy: between 3 to 5 minutes
- Stops ramming vehicle up to 7.5 Tons (16535 lbs.) at 50km/h (31MPH) at 13.6 meters.
- Height: 81.5cm (32.08 inch)
- Made of reinforced steel with epoxy polyester.
- Long service life with minimal maintenance
- Fits all ground surfaces (including sidewalks, sand, gradient and bumpy roads)
- Easy storage

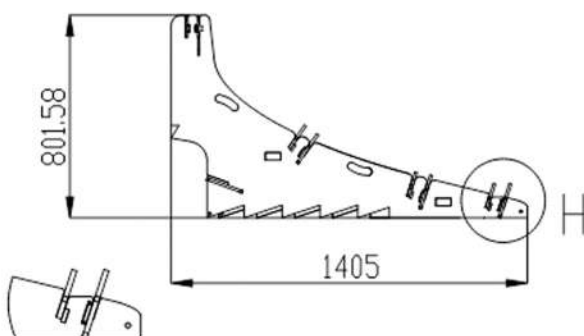
▼ Over View



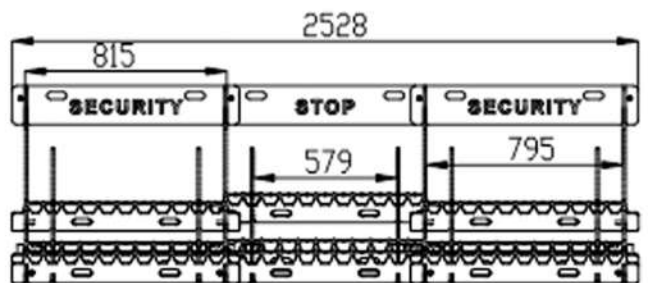
▼ Upper View



▼ Side View



▼ Front View





Defense Systems

Force Protection Experts

G.G. Defense Systems Ltd.

23 Adom St, Kanot Industrial Zone, 7982500, Israel

Tel: +972-8-670-4007

Fax: +972-3-578-0115

Email 1: raz@ggds.co.il

Email 2: office@ggds.co.il

GGDS Web Site: <https://gg-ds.com/>

PARB Website: <https://gg-ds.com/parb/>

