

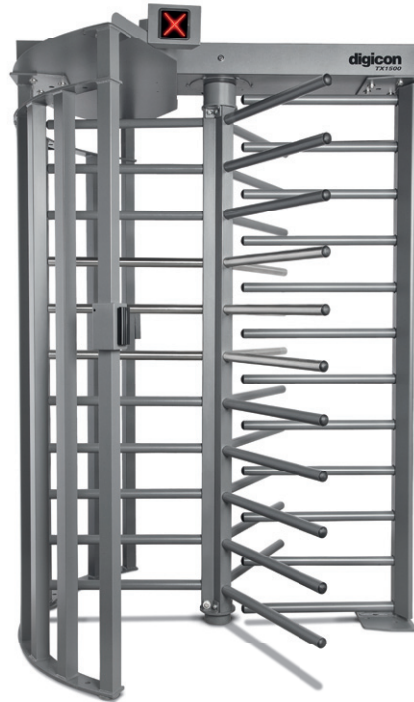
Full Height Turnstile - TX 1500



The TX 1500 full height turnstile is designed to be reliable, rigid and robust in high security applications such as prisons, factories, mines, ports and others. This product can be used in internal and external environments and is easily integrated with any access control system. Installation does not require any special tools and the unique full round base assures the most secure coupling with the floor.



- ▶ Three arm, bi-directional turning mechanism. Locks activated by optical sensors and electromagnets for low maintenance in any environment.
- ▶ Full round base reduces vibration, thereby increasing mechanical and electronic life spans.
- ▶ Manufactured with high strength square steel tubing. Welded arms and structure provides for the highest level of security and protection against vandalism and unauthorized intrusion.
- ▶ Electrolytic zinc, electrophoresis base paint and epoxy powder coating makes the TX 1500 ideal for indoor, outdoor and aggressive environments.
- ▶ Locking mechanism based on the unique and internationally proven technology of electromagnets.
- ▶ 9 Central arms in stainless steel for increased resistance and cleanliness on user touched surfaces.
- ▶ Special supports on the top cover ease the integration process with electronics and other security devices.
- ▶ Security key lock to access top cover.
- ▶ Safety device on top cover avoids unwanted accidents during installation and maintenance.
- ▶ Supplied dismounted for easy installation and reduced transport costs.

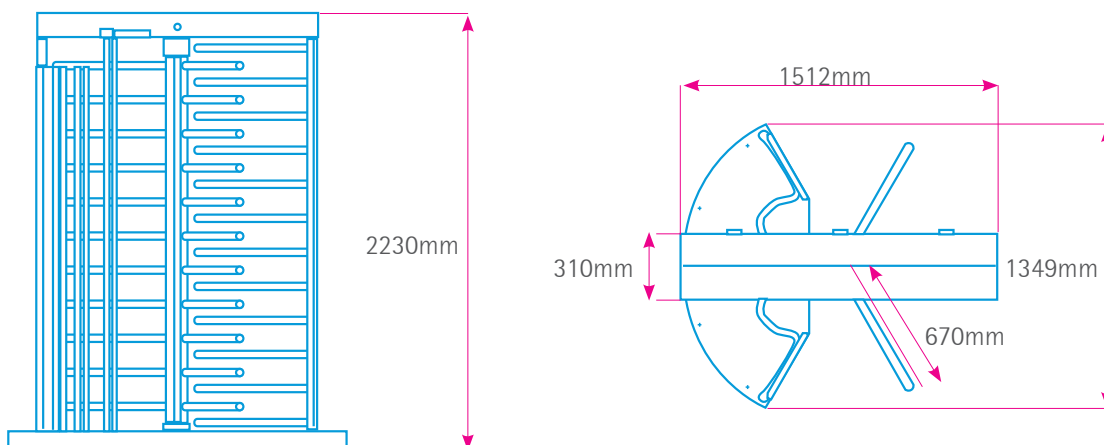


Option in mild steel with epoxy powder coating over heavy duty electrophoretic prime



Option in full 304 grade stainless steel

DIMENSIONS



Please observe a height of 300mm above the turnstile to open the cover.

Dimensions may vary up to 10mm.

HEADQUARTERS: Rua Nissin Castiel, 640
94045-420 • Gravataí • RS • Brazil
Phone: +55 (51) 3489.8793
OFFICE: Rua São Paulo, 82 • Alphaville
06465-130 • Barueri • SP • Brazil
e-mail: sales@digicon.com.br
www.digicon.com.br



digicon.com.br

digicon
Always on the move.



DIGICON reserves the right to modify without notice the characteristics of these equipments.

+DI.051.03-Nov/14