


Footing depth and width TBD in Windload engineering.

Revisions:		
Descriptions	Date	Int
1		
2		
3		



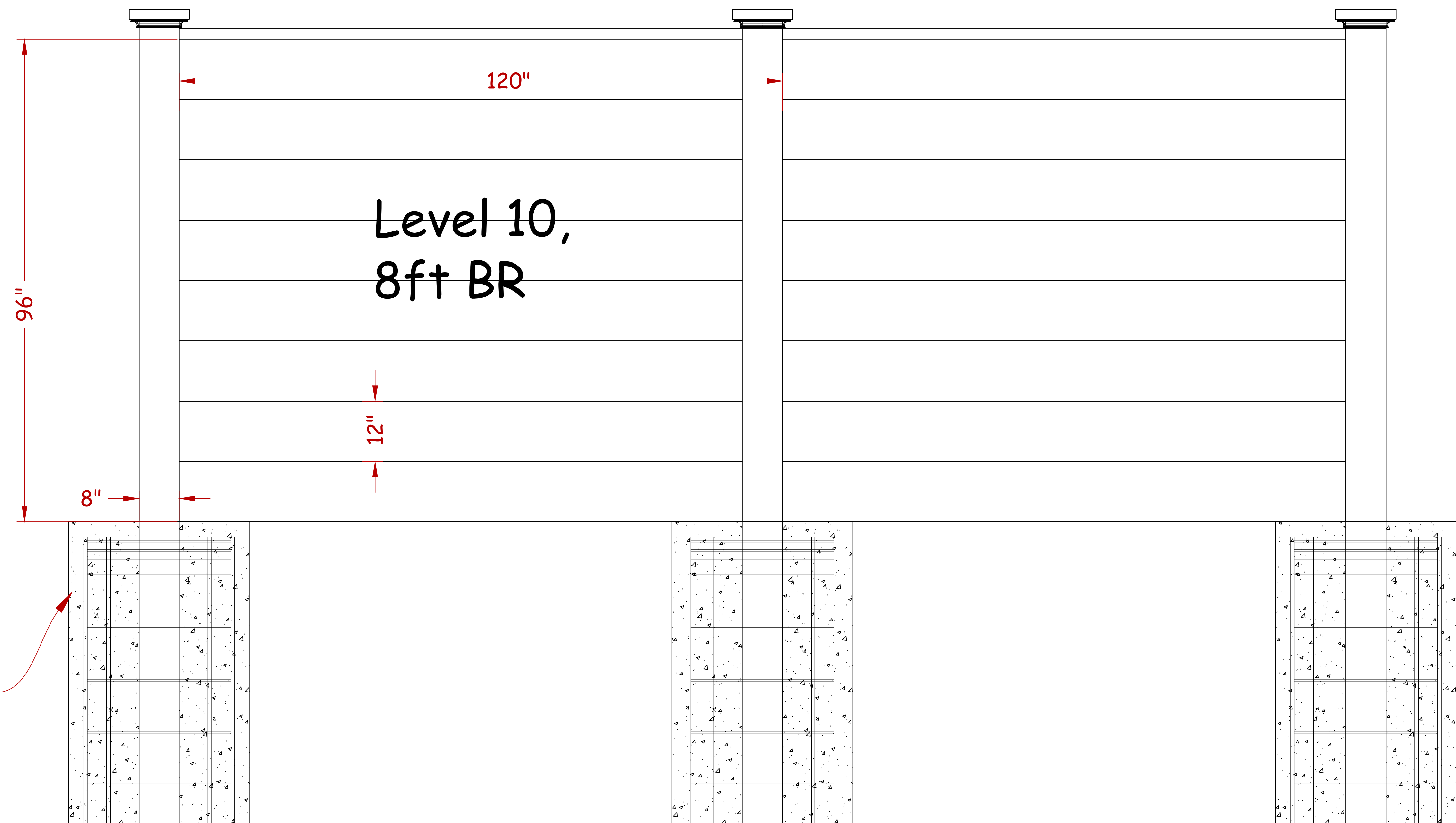
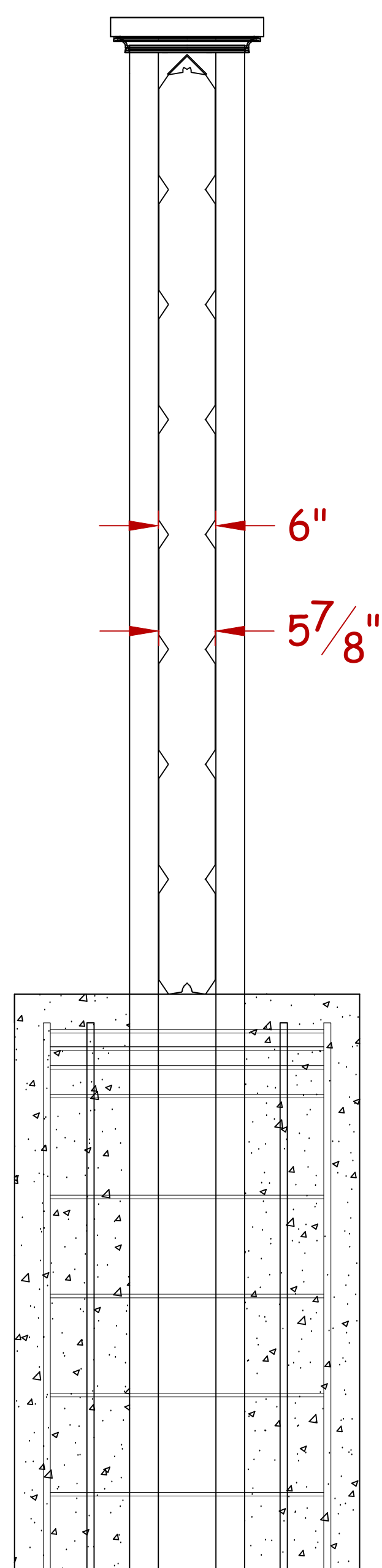
1406 W. Kings Hwy, Gap PA 17527
Phone 717-869-2755

PROJECT: Level 10 Concept Detail

SHEET TITLE: 16ft BR SHEET #: A1


DATE: 4-12-21
SCALE: N/A
Drawn By: GWS

Revision	Approved
X	
DATE:	



Footing depth and width TBD in Windload engineering.

Revisions:		Date		Int	
Descriptions					
1					
2					
3					



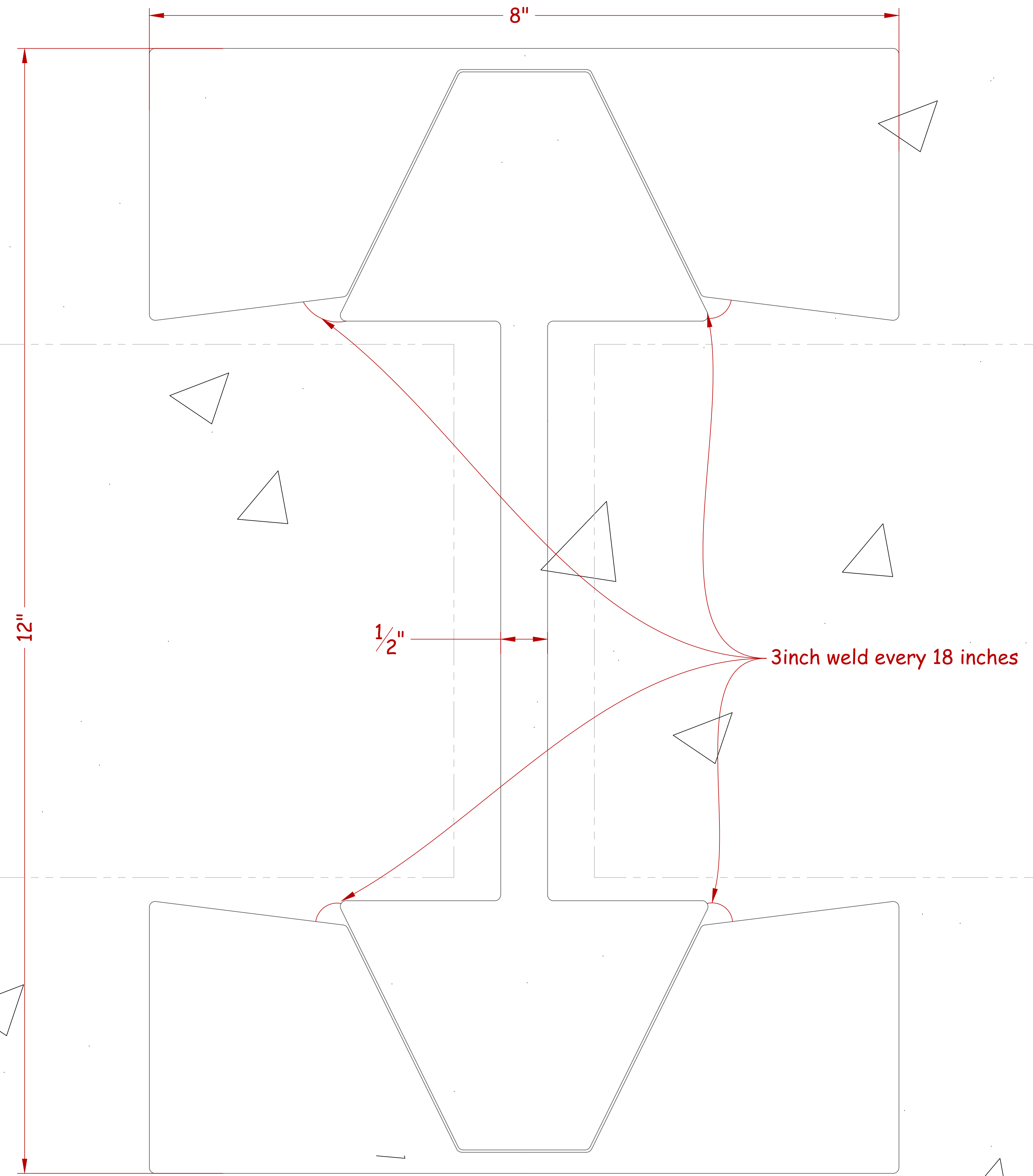
BULLISTIC BARRIERS
1406 W. Kings Hwy, Gap PA 17527
Phone 717-669-2715

PROJECT:
Level 10 Concept Detail

SHEET TITLE: **8ft BR** SHEET #:
A2

DATE: 4-12-21
SCALE: N/A
Drawn By: GWS

Revision	Approved
X	
DATE:	



Revisions:		
Descriptions	Date	Int
1)		
2)		
3)		

BULLISTIC BARRIERS
 1406 W. Kings Hwy, Gap PA 17527
 Phone 717-669-2775

PROJECT: **Level 10 Concept Details**

SHEET TITLE: 8x12 H Post	SHEET #:
	A3

DATE: 4-13-21
 SCALE: N/A
 Drawn By: GWS

Revision	Approved
X	
DATE:	