

PRODUCT DATASHEET

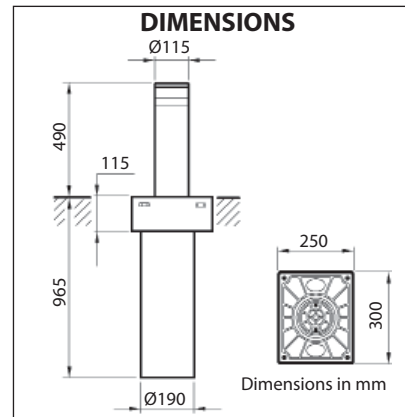
STOPPY B 115/500 - STOPPY B 200/700

Automatic electromechanical bollard

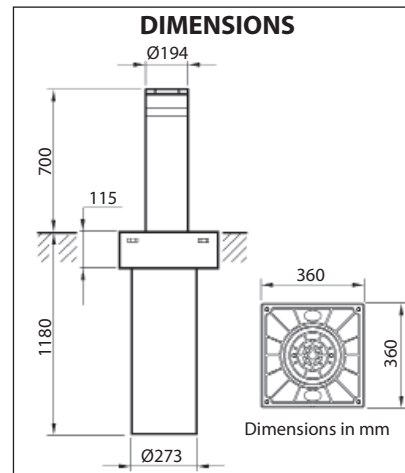
Designed in two versions for installation in spaces for collective use:

- STOPPY B 115/500 for private context (parking space saver, access to private homes, garages, etc.)
- STOPPY B 200/700 for collective contexts (condominiums, hotels, etc.)

STOPPY B 115/500



STOPPY B 200/700



• Automatic electromechanical retractable bollards for intensive use

- Actuator in permanent grease
- Break-in resistance: **60 000 J** for STOPPY B 115/500; **110 000 J** for STOPPY B 200/700
- Work time: **6.0 s** for STOPPY B 115/500; **9.0 s** for STOPPY B 200/700
- Max operating frequency: up to **500 op./day**
- MCBF: **400 000 cycles**
- Electric parking brake to stem high
- Limit switches
- Rod position with magnetic sensor
- Cap with LED light for STOPPY B 200/700 version
- It lowers manually with power cut-off
- Electrical emergency unit for maintaining high stem (optional)

REFERENCE STANDARDS

- 2004/108/CEE; 93/68/CEE (EN55014-1; EN55014-2) • Electromagnetic Compatibility
- 2006/95/CEE; 93/68/CEE (EN60335-1(2002)) • Low voltage
- 2006/42/CEE (EN60204-1) • Machinery directive
- 99/5/CEE (ETSI EN 301 489-3 (2002) + ETSI EN 301 498-1 (2005); ETSI EN 300 220-2 (2006)) • Radio set (tested with the electronic control unit PERSEO CBD)

TECHNICAL-ENVIRONMENTAL MAIN FEATURES	
Driven rod out of the ground	STOPPY B 115/500: Ø115 x h.480 mm (±2mm) x th. 4mm steel Fe 360 (S 235 JR) * STOPPY B 200/700: Ø194 x h.700 mm (±2mm) x th. 6mm steel Fe 360 (S 235 JR) *
Buried structure	STOPPY B 115/500: 250 x 300 x h.965mm STOPPY B 200/700: 360 x 360 x h.1180mm
Foundation	Concrete
Excavation	STOPPY B 115/500: 800 x 800 x h.1200mm STOPPY B 200/700: 800 x 800 x h.1400mm
Break-in resistance	60 000 J for STOPPY B 115/500 110 000 J for STOPPY B 200/700
Allowable axial static load	Bollard up max 2 500 N; bollard down max 120 000 N
Driven rod treatment	Cataphoresis and coating RAL7015 standard, other colour on request
Passive visibility	Reflective film H=100 mm **
Flange	Cast iron, cataphoresis black
Top cover	Cast iron, cataphoresis black
Actuator	Reversible; in permanent grease
Power	230 Vac ±10%, 50-60 Hz
Working time	STOPPY B 115/500: 6.0 s (50 Hz); STOPPY B 200/700: 9.0 s (50 Hz)
Working temperature	-40°C *** +60°C
Operating humidity	up to 100%
IP grade	IP67
Hand operation	It lowers manually with power cut-off
Weight including packaging	STOPPY B 115/500: ~60Kg; STOPPY B 200/700: ~113Kg

* option, AISI304 or AISI316

** Customizable (optional)

*** With integrated heater active

ELECTRICAL FEATURES	
Control unit	PERSEO CBD
Power	1-phase 230 Vac ±10%, 50-60 Hz (115 Vac with optional adapter)
IP grade	IP54
Working temperature	-40°C +60°C
Operating humidity	up to 95%, non condensing
Use	Max. 4 for each control unit. Parallel control wiring possible for driving many groups of bollards.
Power absorbed	0.20 kW for each bollard
Stopping movement	Electric brake; 24 Vdc - 20 W (sustained 12 Vdc - 5 W)
Signalling (optional)	Cap with LEDs light (only STOPPY B 200/700)
Sensors	Open passage, antitampering switch (option)
Local/Remote control	· Digital inputs · Radio remote control

For system composition and installation refer to the regulations in force in the country where the system is being installed.

ITEM SPECIFICATION

Electromechanical bollard 230 Vac. Available in two sizes:

- Ø115 x 500 x th.4mm, driven rod out of the ground in steel Fe 360 (S 235 JR). Cataphoresis and coating. Break-in resistance up to 60 000 J. Working temperature up to -40°C +60°C. Working time 6.0 s. Power 230 Vac ±10%, 50-60 Hz. With control unit suitable to control a maximum of 4 bollards simultaneously. Power absorbed 0.20 kW for each bollard. Electric brake 24 Vdc - 20 W (sustained 12 Vdc - 5 W). Rod position sensor with magnetic sensor. Limit switches. It lowers manually with power cut-off.

- Ø200 x 700 x th.6mm, driven rod out of the ground in steel Fe 360 (S 235 JR). Cataphoresis and coating. Break-in resistance up to 110 000 J. Working temperature up to -40°C +60°C. Working time 9.0 s. Power 230 Vac ±10%, 50-60 Hz. With control unit suitable to control a maximum of 4 bollards simultaneously. Power absorbed 0.20 kW for each bollard. LEDs light on the cap. Electric brake 24 Vdc - 20 W (sustained 12 Vdc - 5 W). Rod position sensor with magnetic sensor. Limit switches. It lowers manually with power cut-off.

