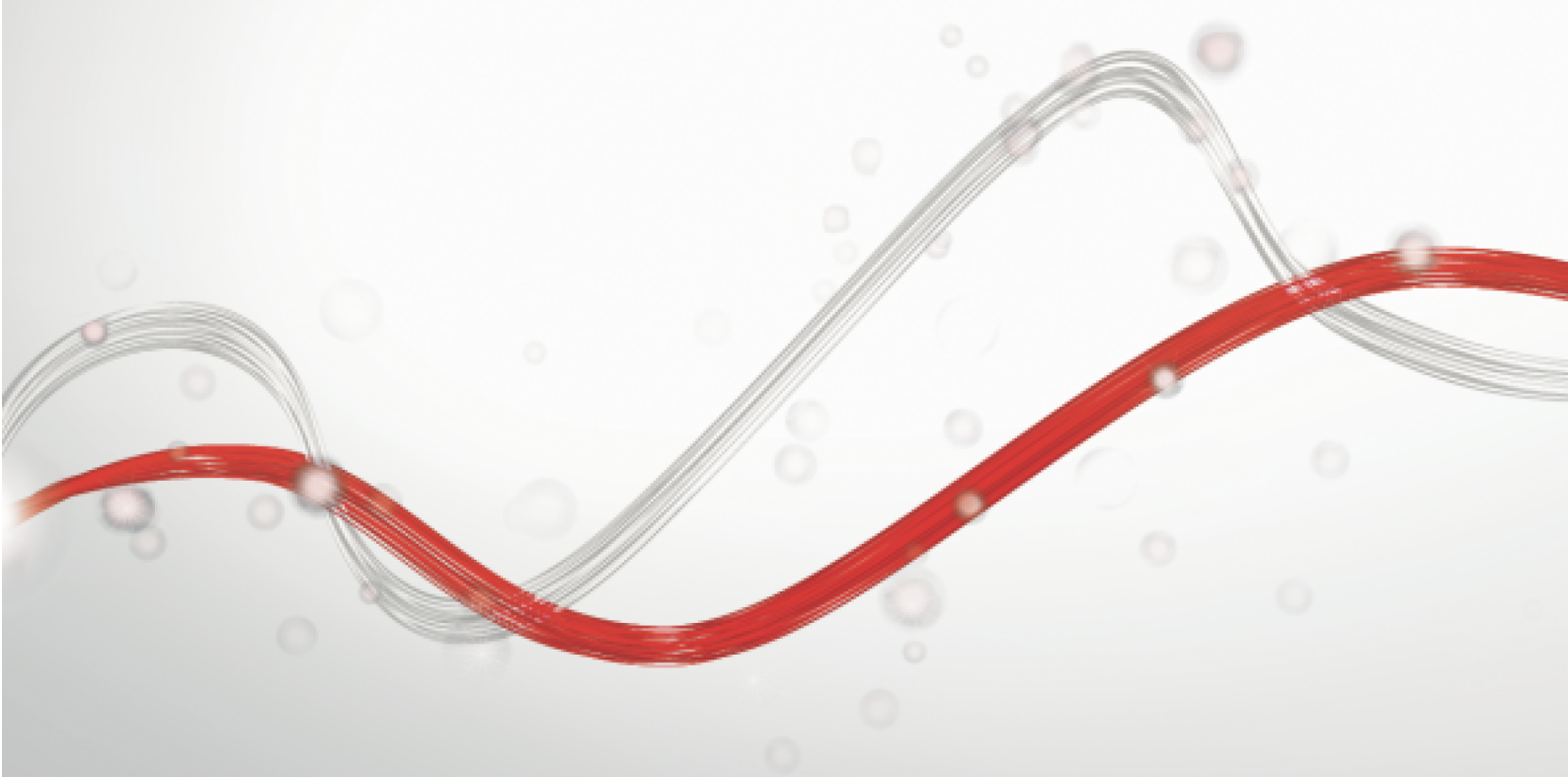




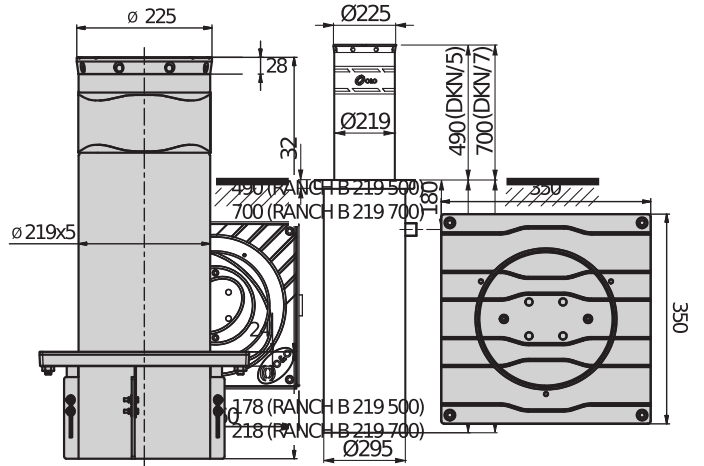
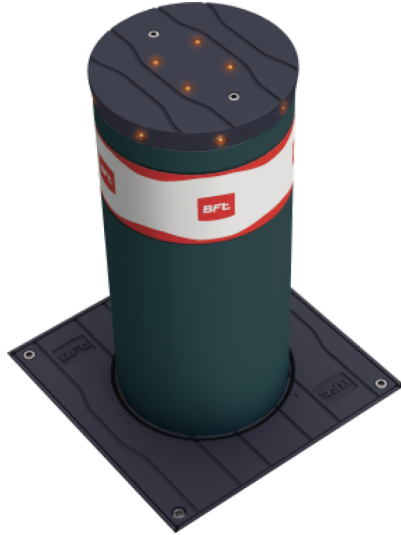
Be ahead

RANCH B





Parking and traffic bollards



Fixed bollards used for preventing access for long periods. Bolted to the ground, their purpose is to block an access point or a road. They can integrate the use of automatic or semi-automatic bollards.



RANCH B



Parking and traffic bollards

RANCH B

Code	Name	Description
P970081 00001	RANCH B 219/500	Fixed bollard, shaft diameter 219 mm and height 490 mm. Painted stainless steel version, RAL 7015
P970081 00101	RANCH B 219/500 - RAL	Fixed bollard, shaft diameter 219 mm and height 490 mm. Painted steel version, RAL colour to order
P970081 00003	RANCH B 219/500 I	Fixed bollard, shaft diameter 219 mm and height 490 mm. Stainless steel version
P970081 00002	RANCH B 219/500 L	Fixed bollard, shaft diameter 219 mm and height 490 mm. Painted steel version, RAL 7015, with LED lights cap
P970081 00102	RANCH B 219/500 L - RAL	Fixed bollard, shaft diameter 219 mm and height 490 mm. Painted steel version, with LED lights cap, RAL colour to order
P970081 00004	RANCH B 219/500 LI	Fixed bollard, shaft diameter 219 mm and height 490 mm. Stainless steel version, with LED lights cap
P970082 00001	RANCH B 219/700	Fixed bollard, shaft diameter 219 mm and height 700 mm. Painted stainless steel version, RAL 7015
P970082 00101	RANCH B 219/700 - RAL	Fixed bollard, shaft diameter 219 mm and height 700 mm. Painted steel version, RAL colour to order
P970082 00003	RANCH B 219/700 I	Fixed bollard, shaft diameter 219 mm and height 700 mm. Stainless steel version
P970082 00002	RANCH B 219/700 L	Fixed bollard, shaft diameter 219 mm and height 700 mm. Painted steel version, RAL 7015, with LED lights cap
P970082 00102	RANCH B 219/700 L - RAL	Fixed bollard, shaft diameter 219 mm and height 700 mm. Painted steel version, with LED lights cap, RAL colour to order.
P970082 00004	RANCH B 219/700 LI	Fixed bollard, shaft diameter 219 mm and height 700 mm. Stainless steel version, with LED lights cap

	RANCH B 219/500	RANCH B 219/500 - RAL	RANCH B 219/500 I	RANCH B 219/500 L	RANCH B 219/500 L - RAL	RANCH B 219/500 LI
Operator type	Fixed bollards	Fixed bollards	Fixed bollards	Fixed bollards	Fixed bollards	Fixed bollards
Rod height	490 mm	490 mm	490 mm	490 mm	490 mm	490 mm
Rod diameter	219 mm	219 mm	219 mm	219 mm	219 mm	219 mm
Rod thickness	5 mm	5 mm	5 mm	5 mm	5 mm	5 mm
Rod treatment	Cataphoresis	Cataphoresis	Stainless steel	Cataphoresis	Cataphoresis	Stainless steel
Rod fixing	3 bolts	3 bolts	3 bolts	3 bolts	3 bolts	3 bolts

	RANCH B 219/700	RANCH B 219/700 - RAL	RANCH B 219/700 I	RANCH B 219/700 L	RANCH B 219/700 L - RAL	RANCH B 219/700 LI
Operator type	Fixed bollards	Fixed bollards	Fixed bollards	Fixed bollards	Fixed bollards	Fixed bollards
Rod height	700 mm	700 mm	700 mm	700 mm	700 mm	700 mm
Rod diameter	219 mm	219 mm	219 mm	219 mm	219 mm	219 mm
Rod thickness	5 mm	5 mm	5 mm	5 mm	5 mm	5 mm
Rod treatment	Cataphoresis	Cataphoresis	Stainless steel	Cataphoresis	Cataphoresis	Stainless steel
Rod fixing	3 bolts	3 bolts	3 bolts	3 bolts	3 bolts	3 bolts



RANCH B



Parking and traffic bollards

RECOMMENDED ACCESSORIES

	P800104 - ALLU			
	Power supply for fixed Ranch E bollards			