

Safety notice

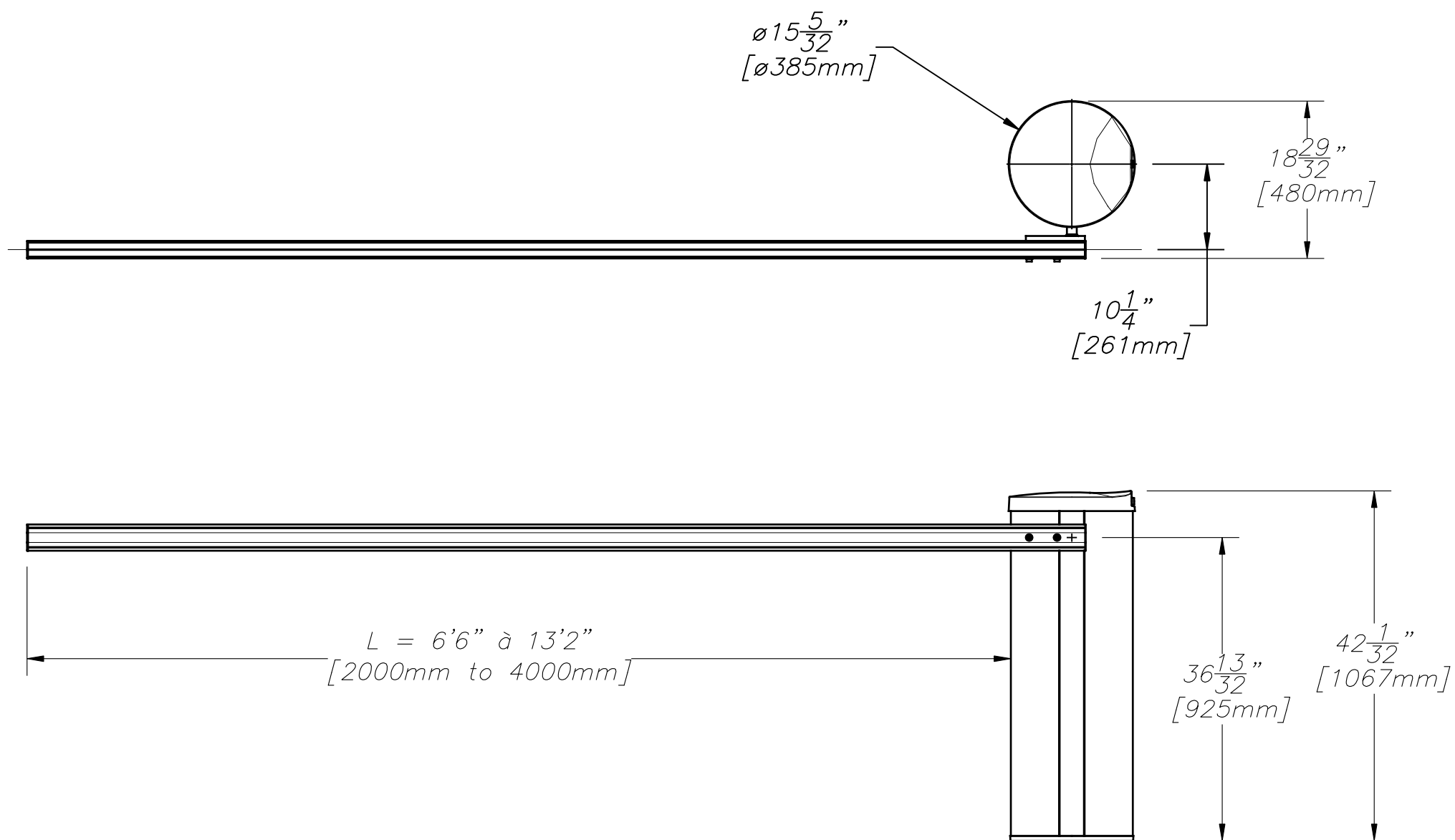
The barrier must be inspected frequently to spot all wear, corrosion or crack being able to cause damage, especially if the barrier has an excessive duty service (frequent opening before the end of the closing cycle).

If the barrier is damaged or hit, it must be inspected by competent personnel to spot all damages or cracks.

The barrier and the arm must be cleaned of all ice accumulation or of snow to avoid the load increase.

No object (light, sign etc.) must be added to the barrier.

The barrier must be put out of service if cracks appear or if the safety of the people is compromised.



AUTOMATIC SYSTEMS RECOMMENDS THAT THE CONCRETE BASE FOR THE BARRIER BE FABRICATED ACCORDING TO DRAWING "NAM-BL100-IN-01-EN". HOWEVER IT IS THE CUSTOMER'S RESPONSIBILITY TO ENSURE THAT THE INSTALLATION CONFORMS TO ALL LOCAL BUILDING CODES.

REV	DATE	MODIFICATIONS/CHANGES	PAR/BY
B	13-11-2015	New Representation	SSA
REVISIONS			

MATERIAU/MATERIAL		
-		
TRAITEMENT/TREATMENT		
-		
FINI/FINISH		
-		
NB./App.	POIDS/WEIGHT	SURFACE
-	-	-

LES INFORMATIONS CONTENUES SUR LES DESSINS DE ASA Inc. SONT CONFIDENTIELLES ET SONT LA PROPRIÉTÉ DE ASA Inc., TOUTES REPRODUCTIONS, DISTRIBUTIONS OU UTILISATIONS SONT INTERDITES SANS LA PERMISSION DE ASA Inc.

INFORMATION DISCLOSED HERE IS CONFIDENTIAL AND IS THE PROPERTY OF ASA Inc., ANY REPRODUCTION, DISTRIBUTION OR USE IS PROHIBITED WITHOUT A WRITTEN CONSENT BY ASA Inc.

LES DIMENSIONS SONT EN POUCES / DIMENSIONS ARE IN INCHES	
TOLERANCES	
.XXX	± .005
.XX	± .010
.X	± .015
FRAC.	± 1/32
ANGLES	±1/2°
SAUF SI INDICUÉS UNLESS OTHERWISE NOTED	

EBARBER & ENLEVER
LES ARÊTES VIVES.
DIM SELON ASME Y14.5
1994. NE PAS MESURER
SUR LE DESSIN

BREAK ALL SHARP
EDGES AND CORNERS.
ALL DIM PER ASME
Y14.5 1994. DO NOT
SCALE DRAWING

AUTOMATIC SYSTEMS
EAS GROUP

FICHER / FILENAME
NAM-PARKPLUS100-IN-01-EN.DWG

TITRE PARKPLUS100	ÉCHELLE/SCALE N/A	FORMAT/SIZE B	DATE 2013/07/16	FEUILLE/SHEET 1	DE/OF 1
TITRE OVERALL DIMENSIONS AND SAFETY NOTICE		NO. DE DESSIN/DWG. NO. NAM-PARKPLUS100-IN-01-EN			
DESSINÉ PAR DRAWN BY JPS	VÉRIFIÉ PAR CHECKED BY SSA	REV 1			