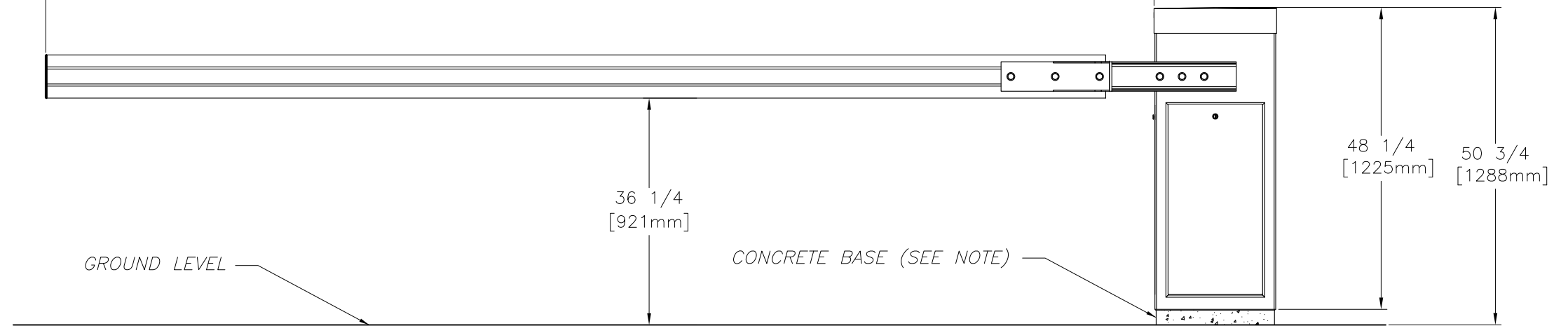
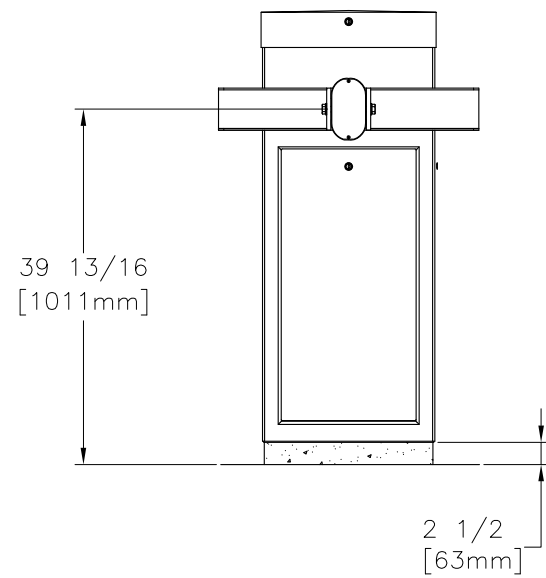




L = 78 3/4" - 236 1/4"  
L = [2.0M - 6.0M]  
IN STEPS OF 19 1/16" [0.5M]



REV	DATE	MODIFICATIONS/CHANGES	PAR/BY
-	-	-	-
REVISIONS			

MATÉRIAU/MATERIAL	-	
TRAITEMENT/TREATMENT	-	
FINI/FINISH	-	
NB./App.	POIDS/WEIGHT	SURFACE
-	-	-

LES INFORMATIONS CONTENUES SUR LES DESSINS DE ASA Inc. SONT CONFIDENTIELLES ET SONT LA PROPRIÉTÉ DE ASA Inc., TOUTES REPRODUCTIONS, DISTRIBUTIONS OU UTILISATIONS SONT INTERDITES SANS LA PERMISSION DE ASA Inc.

INFORMATION DISCLOSED HERE IS CONFIDENTIAL AND IS THE PROPERTY OF ASA Inc., ANY REPRODUCTION, DISTRIBUTION OR USE IS PROHIBITED WITHOUT A WRITTEN CONSENT BY ASA Inc.

LES DIMENSIONS SONT EN  
POUCES / DIMENSIONS  
ARE IN INCHES

TOLERANCES

XXX ± .005  
XX ± .010  
X ± .015  
FRAC. ± 1/32  
ANGLES ± 1/2°

SAUF SI INDIQUÉS  
UNLESS OTHERWISE NOTED

EBARBER & ENLEVER  
LES ARÊTES VIVES.  
DIM SELON ASME Y14.5  
1994. NE PAS MESURER  
SUR LE DESSIN

BREAK ALL SHARP  
EDGES AND CORNERS.  
ALL DIM PER ASME  
Y14.5 1994. DO NOT  
SCALE DRAWING

**AUTOMATIC SYSTEMS**  
LIBER GROUP

FICHER / FILENAME  
NAM-BL43-IN-01-EN.DWG

TITRE TITLE	BL43 OVERALL DIMENSIONS
ÉCHELLE/SCALE NTS	FORMAT/SIZE B
DATE 2013/02/20	FEUILLE/SHEET 1
DESSINÉ PAR DRAWN BY EGD	VÉRIFIÉ PAR CHECKED BY SSA
NO. DE DESSIN/DWG. NO. NAM-BL43-IN-01-EN	REV A

AUTOMATIC SYSTEMS RECOMMENDS THAT THE CONCRETE BASE FOR THE BARRIER BE FABRICATED ACCORDING TO DRAWING "11164-2015-2016\_TYPICAL BL40-41-43 CONCRETE BASE". HOWEVER IT IS THE CUSTOMER'S RESPONSIBILITY TO ENSURE THAT THE INSTALLATION CONFORMS TO ALL LOCAL BUILDING CODES.