



SHALLOW FOUNDATION ACTIVE VEHICLE BARRIER SYSTEM

Designed and used for both perimeter high security and vehicular traffic control. Proven low maintenance, high cyclic/high volume operation, and low cost of ownership. Immobilizes vehicles weighing up to 15,000 lbs. traveling at 30 mph in well under 3 feet of penetration. All systems are completely electric (no hydraulics) and are battery backed-up for hundreds of cycles in the event of AC power loss.



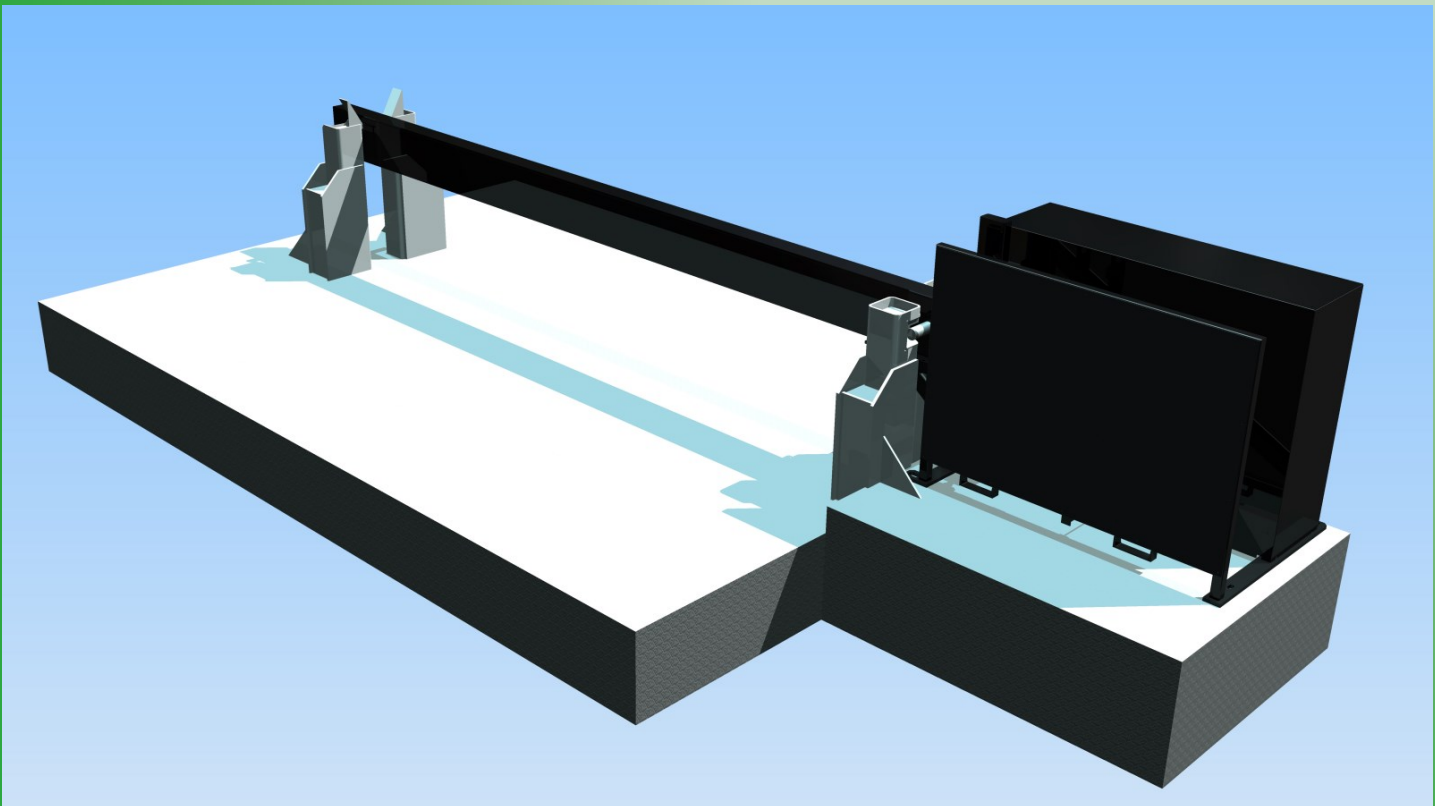
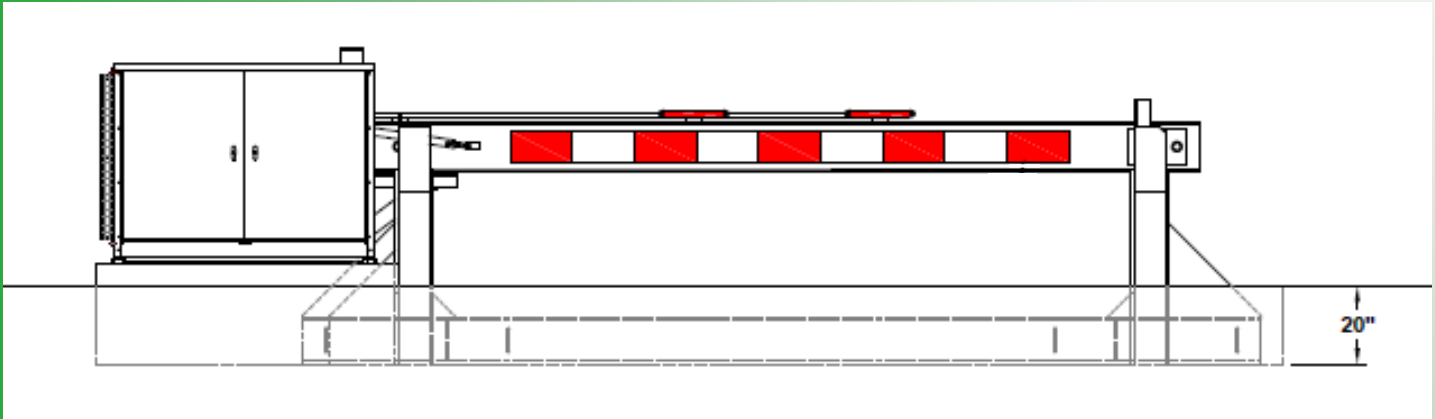
- The system we developed enables AutoGate to provide high security products installed at a fraction of the depth required by traditional systems.
- No need for any major excavation work on existing roads or paved surfaces. Foundation depth only 20”.
- Ideal in avoiding utilities & fiber-optic site interference.





Product Specifications The Shield® ASTM F2656 M30/P1 (DOS K4/L3) Model: VPL-CB24SF M30 Shallow Foundation

DUTY CYCLE:	Continuous.	POWER SUPPLY:	120VAC with 24v DC battery backup.
OPEN / CLOSING CYCLES:	7 – 14 seconds		(2) 12v sealed batteries required (NOT INCLUDED)
DELAYED CLOSING:	Adjustable from 0 – 60 seconds.	CONTROL SYSTEM:	Solid State Coated Control Board
FOUNDATION DEPTH:	20"	HEAT PACKAGES:	Standard to Full Arctic conditions
DROP ARM LENGTHS:	Arm only (no gate) clear opening up to 19'. With gate panel on Drop Arm, clear opening up to 17'. Gates over 8' tall may be limited on length and require special shipping & freight arrangements.		



AutoGate, Inc.
7306 Driver Road - PO Box 50
Berlin Heights, OH 44814
(800) 944-4283
www.AutoGate.com Sales@AutoGate.com