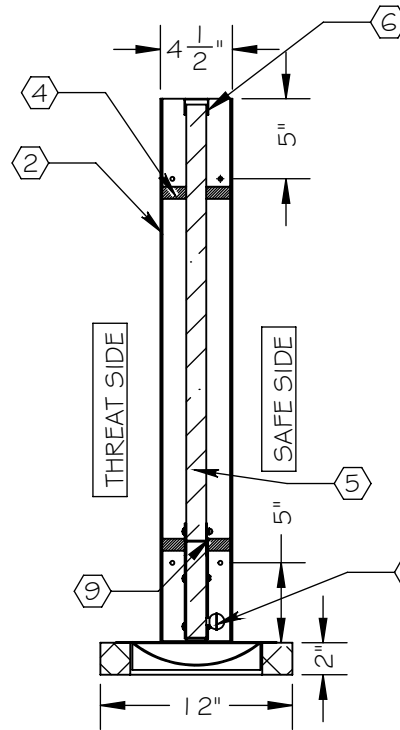
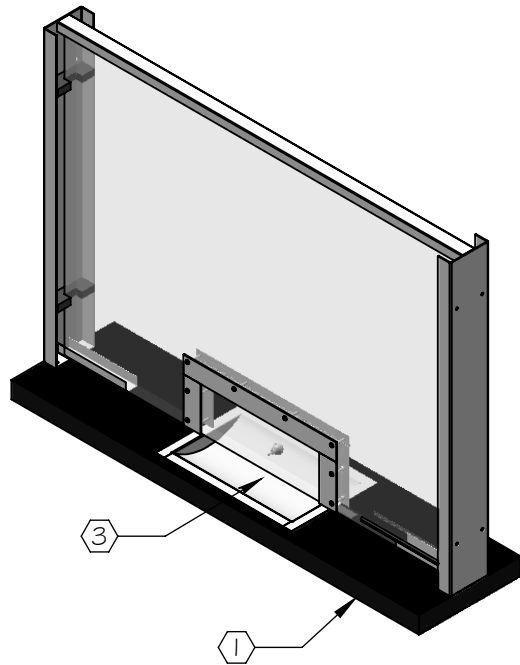
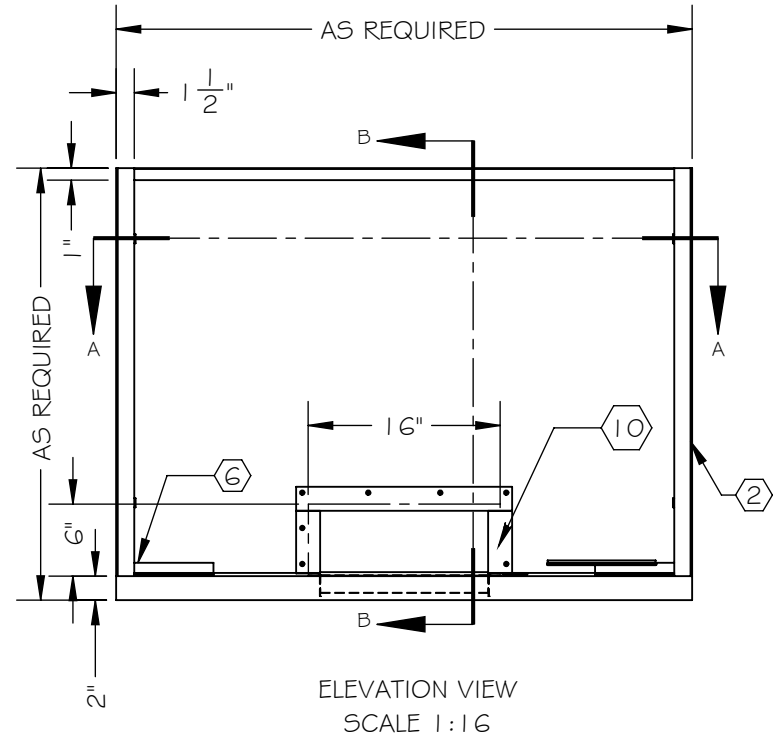


NOTES:

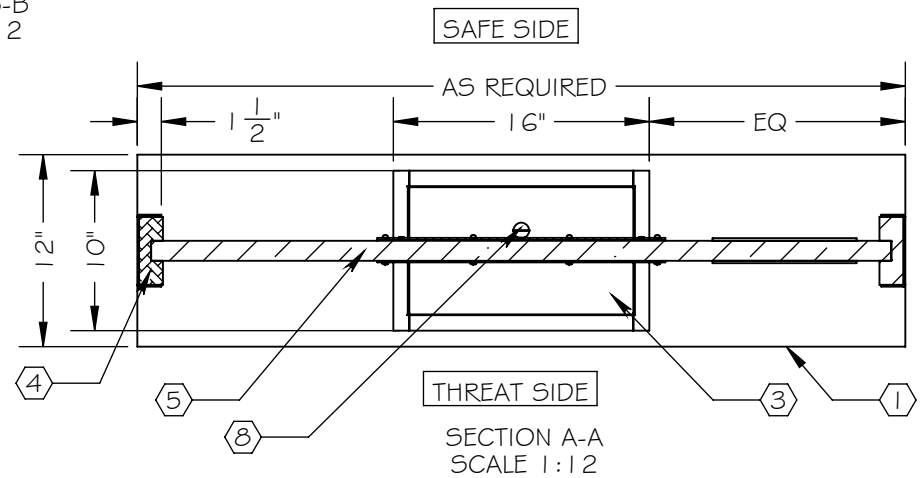
- ① HIGH PRESSURE BLACK LAMINATED PLASTIC SHELF  
(STAINLESS STEEL OPTIONAL)
- ② 1/2 GA. STAINLESS STEEL FRAME
- ③ STAINLESS STEEL DEAL TRAY
- ④ NATURAL VOICE SPACERS
- ⑤ ARMORTEX® BULLET RESISTANT GLAZING
- ⑥ STAINLESS STEEL GLAZING CAP
- ⑦ ANCHORS AS REQUIRED (BY OTHERS) (NOT SHOWN)
- ⑧ PULL AND SECURITY LATCH
- ⑨ STAINLESS STEEL CONTINUOUS HINGE
- ⑩ STAINLESS STEEL ASTRAGAL (BOTH ENDS AND BOTH SIDES)
- ⑪ REQUIRED FINISHED OPENING IS 1/4" GREATER THAN OVERALL DIMENSIONS



SECTION B-B  
SCALE 1:12



ELEVATION VIEW  
SCALE 1:16



SECTION A-A  
SCALE 1:12

SCALE: AS NOTED	TITLE: TRANSACTION WINDOW HINGED PANNEL	UNLESS OTHERWISE SPECIFIED: DIMENSIONS ARE IN INCHES TOLERANCES: FRACTIONAL: ±1/16" ANGULAR: ±1° TWO PLACE DECIMAL ±.01 THREE PLACE DECIMAL ±.005	<b>ARMORTEX®</b> BULLET • BLAST • FORCED ENTRY - PROTECTION PRODUCTS 5926 CORRIDOR PKWY SCHERTZ, TX 78154 TEL: 210-661-8306 800-880-8306 FAX: 210-661-8308 www.armortex.com
DATE: 06-18-2015	MODEL: WI-TW-CW-HP		
DRAWN BY: M. FREEMAN	SHEET NUMBER: 1 OF 1		