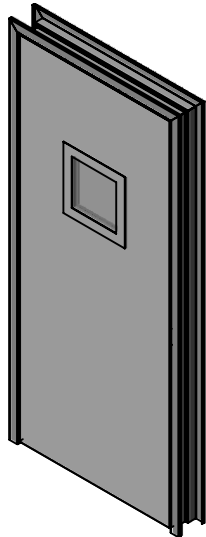
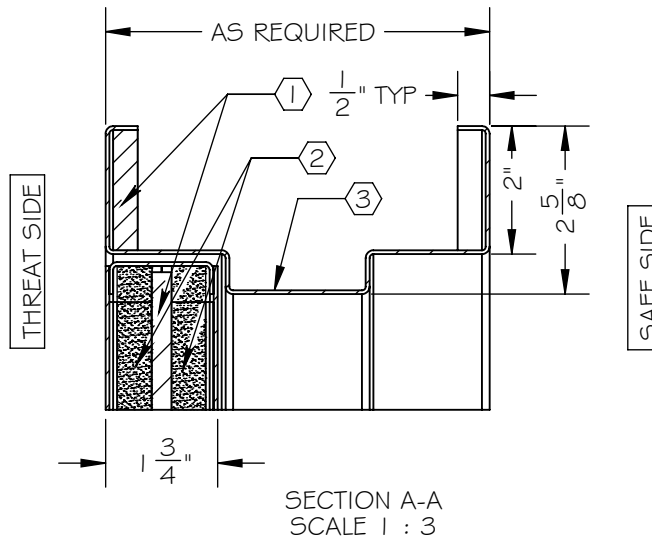
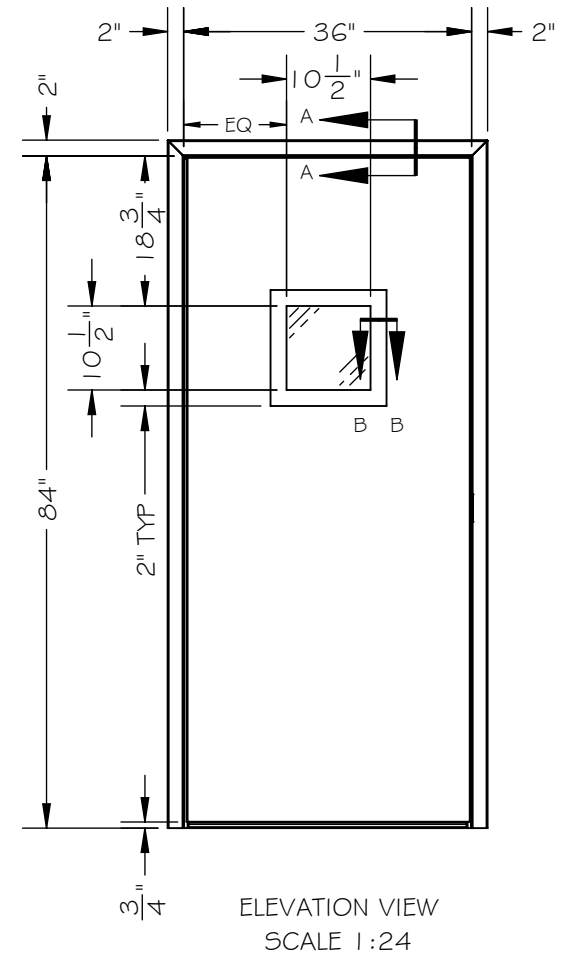
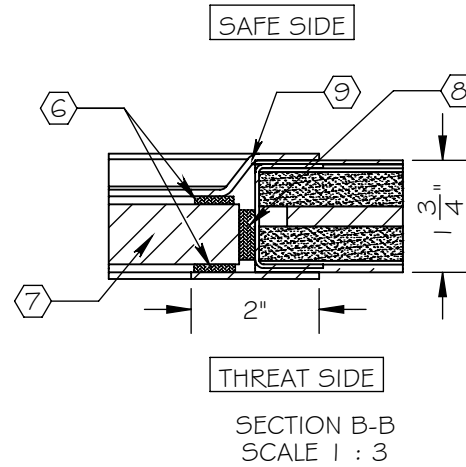


NOTES:

- ① ARMORTEX® BULLET RESISTANT ARMOR
- ② FOAMED INSULATION
- ③ 16 GA. PRIME PAINTED STEEL DOOR AND FRAME
- ④ CONTINUOUS GEAR HINGE (NOT SHOWN)
- ⑤ HARDWARE PREPARATION AS REQUIRED (NOT SHOWN)
- ⑥ GLAZING TAPE
- ⑦ BULLET RESISTANT GLAZING
- ⑧ NEOPRENE SETING BLOCK
- ⑨ LITE KIT



SCALE: AS NOTED	TITLE: HOLLOW METAL VIEW LITE DOOR	UNLESS OTHERWISE SPECIFIED: DIMENSIONS ARE IN INCHES TOLERANCES: FRACTIONAL: ±1/16" ANGULAR: ±1° TWO PLACE DECIMAL ±.01 THREE PLACE DECIMAL ±.005
DATE: 06-01-2015	MODEL: DR-HM-VL-DB	
DRAWN BY: M. FREEMAN	SHEET NUMBER: 1 OF 1	

ARMORTEX®
 BULLET • BLAST • FORCED ENTRY - PROTECTION PRODUCTS
 5926 CORRIDOR PKWY SCHERTZ, TX 78154
 TEL: 210-661-8306 800-880-8306 FAX: 210-661-8308
www.armortex.com