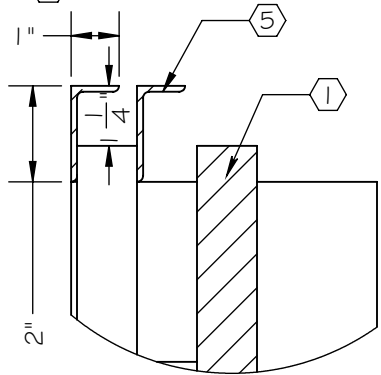
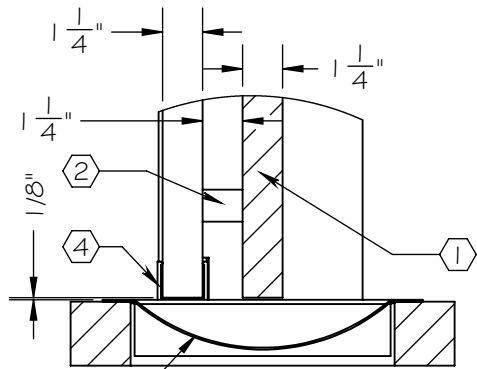


NOTES:

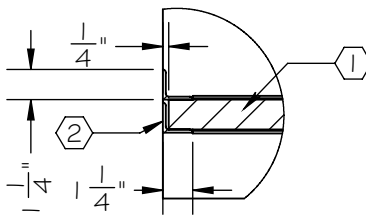
- ① ARMORTEX BULLET RESISTANT GLAZING
- ② 1" ACRYLIC SPACER
- ③ STAINLESS STEEL DEAL TRAY
- ④ 1-1/4" X 1-9/16" CLEAR ANODIZED ALUMINUM U-CHANNEL
- ⑤ 2" X 1" X 1/8" CLEAR ANODIZED ALUMINUM ANGLE
- ⑥ 1-1/4" X 1-1/4" X 1/8" CLEAR ANODIZED ALUMINUM ANGLE
- ⑦ COUNTERTOP (OPTIONAL)
- ⑧ ANCHORS AS REQUIRED (NOT SHOWN)



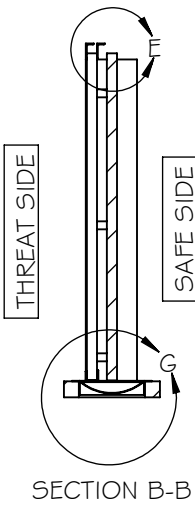
DETAIL E
SCALE 1 : 4



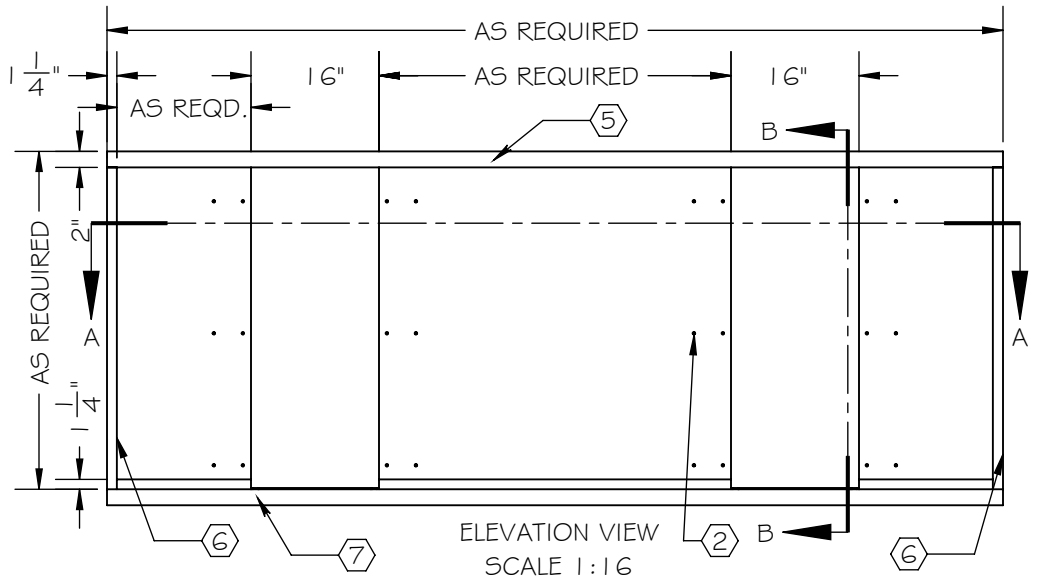
DETAIL G
SCALE 1 : 6



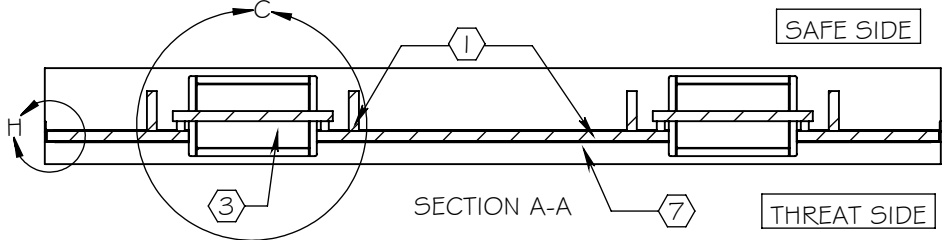
DETAIL H
SCALE 1 : 8



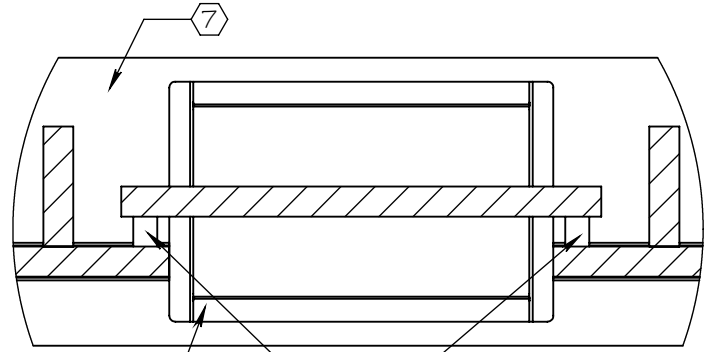
SECTION B-B



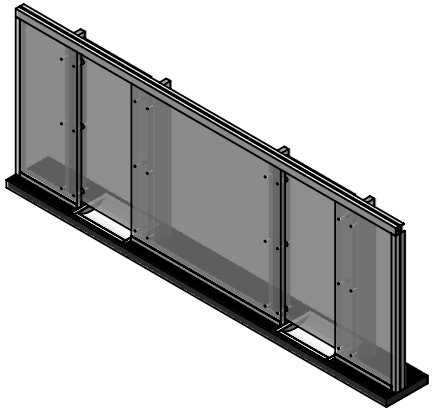
ELEVATION VIEW
SCALE 1 : 16



SECTION A-A



DETAIL C
SCALE 1 : 8



SCALE: AS NOTED	TITLE: BAFFLE TRANSACTION WINDOW	UNLESS OTHERWISE SPECIFIED: DIMENSIONS ARE IN INCHES TOLERANCES: FRACTIONAL: ±1/16" ANGULAR: ±1° TWO PLACE DECIMAL ±.01 THREE PLACE DECIMAL ±.005
DATE: 06-23-2015	MODEL: WI-TW-AL-BA	ARMORTEX [®] BULLET • BLAST • FORCED ENTRY - PROTECTION PRODUCTS 5926 CORRIDOR PKWY SCHERTZ, TX 78154 TEL: 210-661-8306 800-880-8306 FAX: 210-661-8308 www.armortex.com
DRAWN BY: M. FREEMAN	SHEET NUMBER: 1 OF 1	