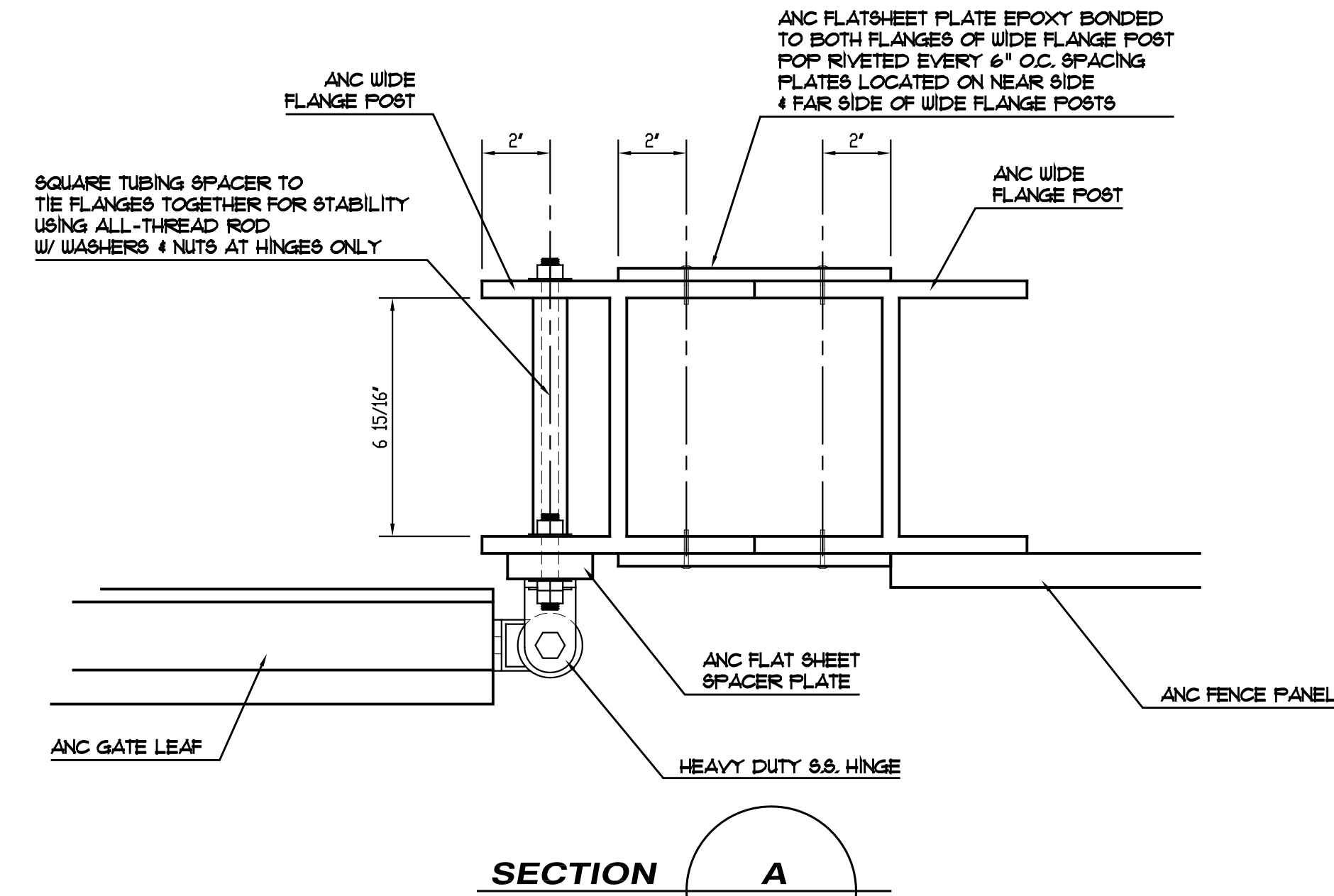
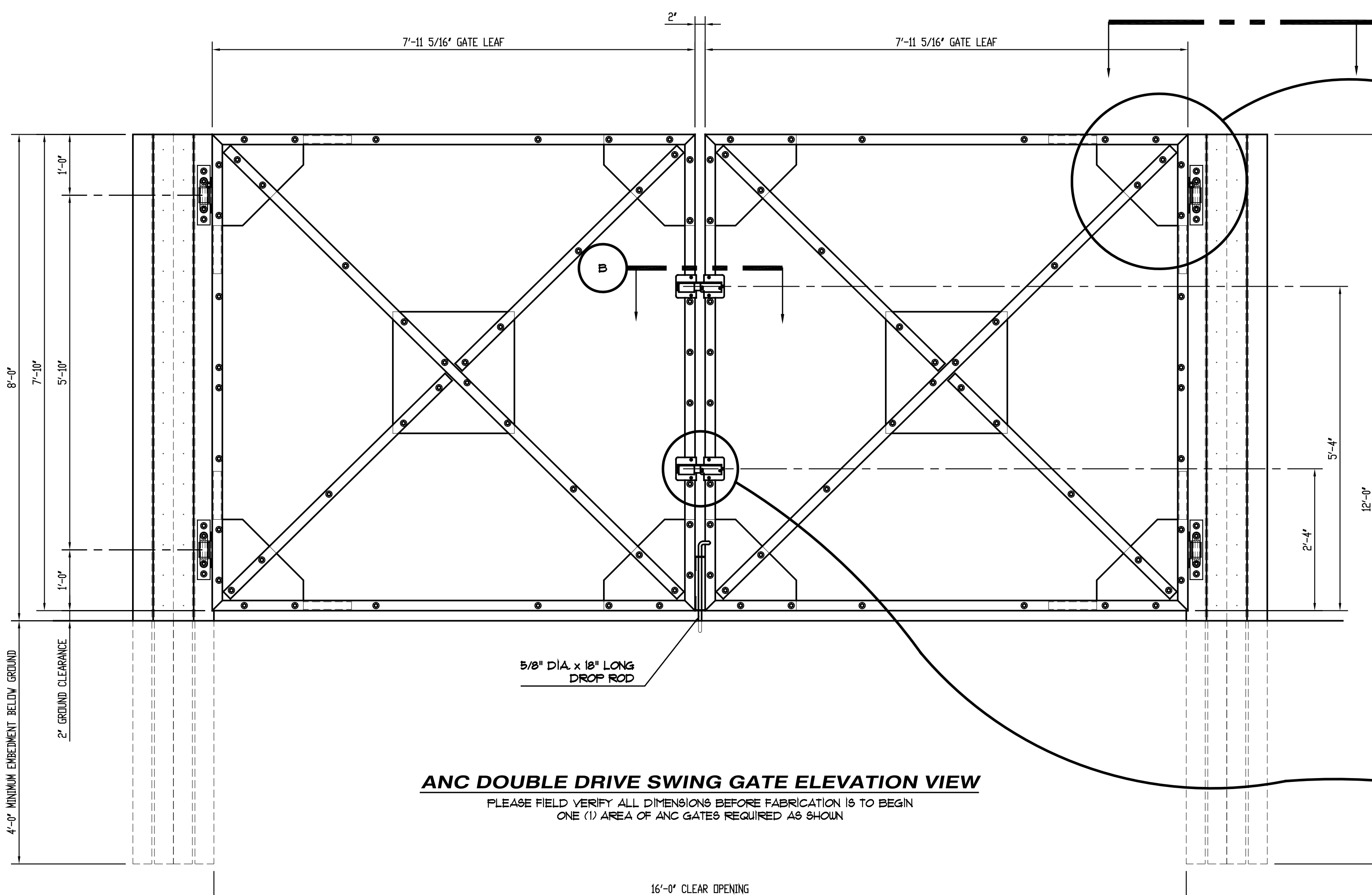


ANC GATE PANEL MESH ELEVATION VIEW

PLEASE FIELD VERIFY ALL DIMENSIONS BEFORE FABRICATION IS TO BEGIN
ONE (1) ANC GATE REQUIRED AS SHOWN



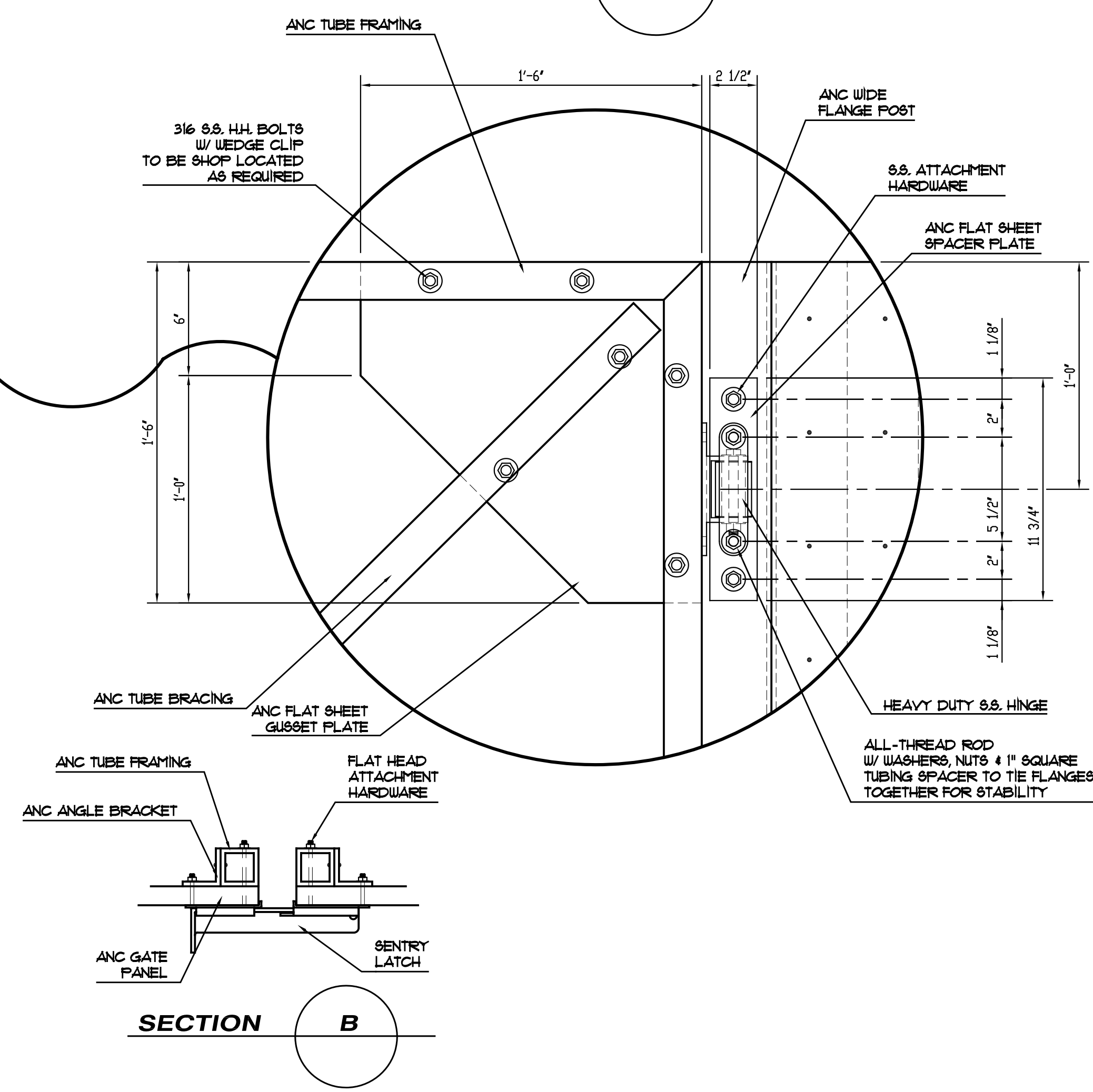
SECTION A



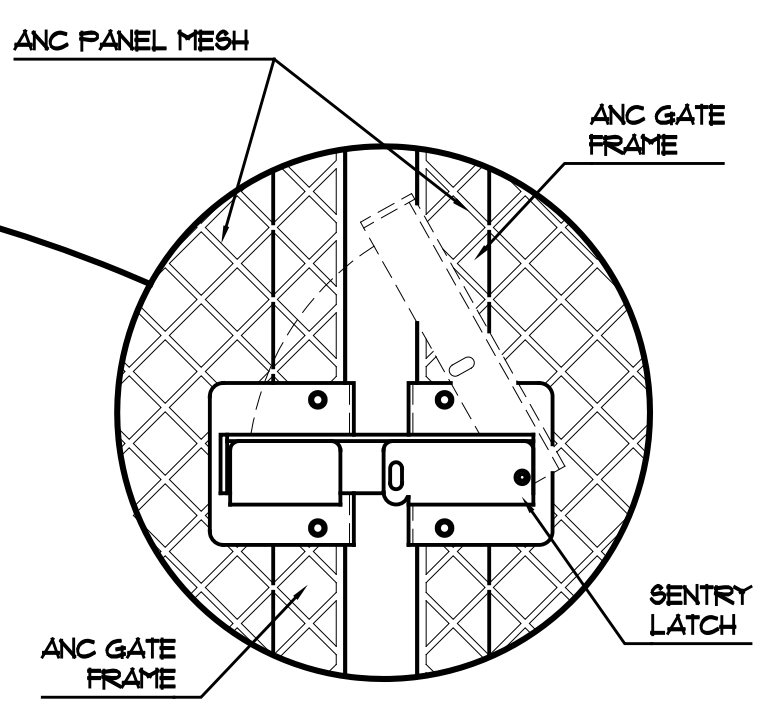
ANC DOUBLE DRIVE SWING GATE ELEVATION VIEW

PLEASE FIELD VERIFY ALL DIMENSIONS BEFORE FABRICATION IS TO BEGIN
ONE (1) AREA OF ANC GATES REQUIRED AS SHOWN

ONE (1) GATE ASSEMBLY
REQUIRED AS SHOWN



SECTION B



MATERIAL SPECIFICATIONS:
ANC FENCE PANELS:
 1" THICK ANC 1 1/2" DIAMOND MESH, IFR, MENISCUS SURFACE, COLOR: DARK GRAY
STRUCTURALS:
 ANC, PULTRUDED, COLOR: GRAY
HARDWARE:
 SEE BILL OF MATERIALS FOR HARDWARE

CUSTOMER

ANC 16 FOOT OPENING DOUBLE DRIVE SWING GATE

7/7/15

CUSTOMER:

209 Glasser Drive
Lafayette, LA, 70508
Tel Fax: 1-800-306-5645
Phone: 1-337-406-5245
Fax: 1-337-406-8800
Home Page: www.seasafe.com

FIBERGLASS GRATING &
 STRUCTURAL SYSTEMS

NO.	BY	DATE	REVISIONS
0	S.A.P.	4-1-2015	RELEASED FOR FABRICATION

SALES NO.: ---
 JOB NO.: ---
 DRAWN BY: W. HARDENBERG
 DATE: 2016-08-22
 SCALE: 3/4" = 1'-0"
 DRAWING NO: DD-8-16-1.0

SHEET: 1 OF 1
 CUSTOMER PO NO.: ---