

TRANSPORT[®] TRAVERSE

ENGINEERED CANTILEVER GATE SYSTEMS

TransPort Traverse is an engineering marvel that challenges the status quo of typical cantilever designs. Its unique bottom track with carriage support rollers perfectly balances the entire gate structure over a single axis for smooth, effortless transition.

New framework architecture unites the versatility and advantages of a component design with an engineered and tested cantilever gate that is best in class.

- Increased frame architecture for improved durability and high functionality
- Decreased framework counterbalance so big gates fit in smaller spaces
- Larger gate options



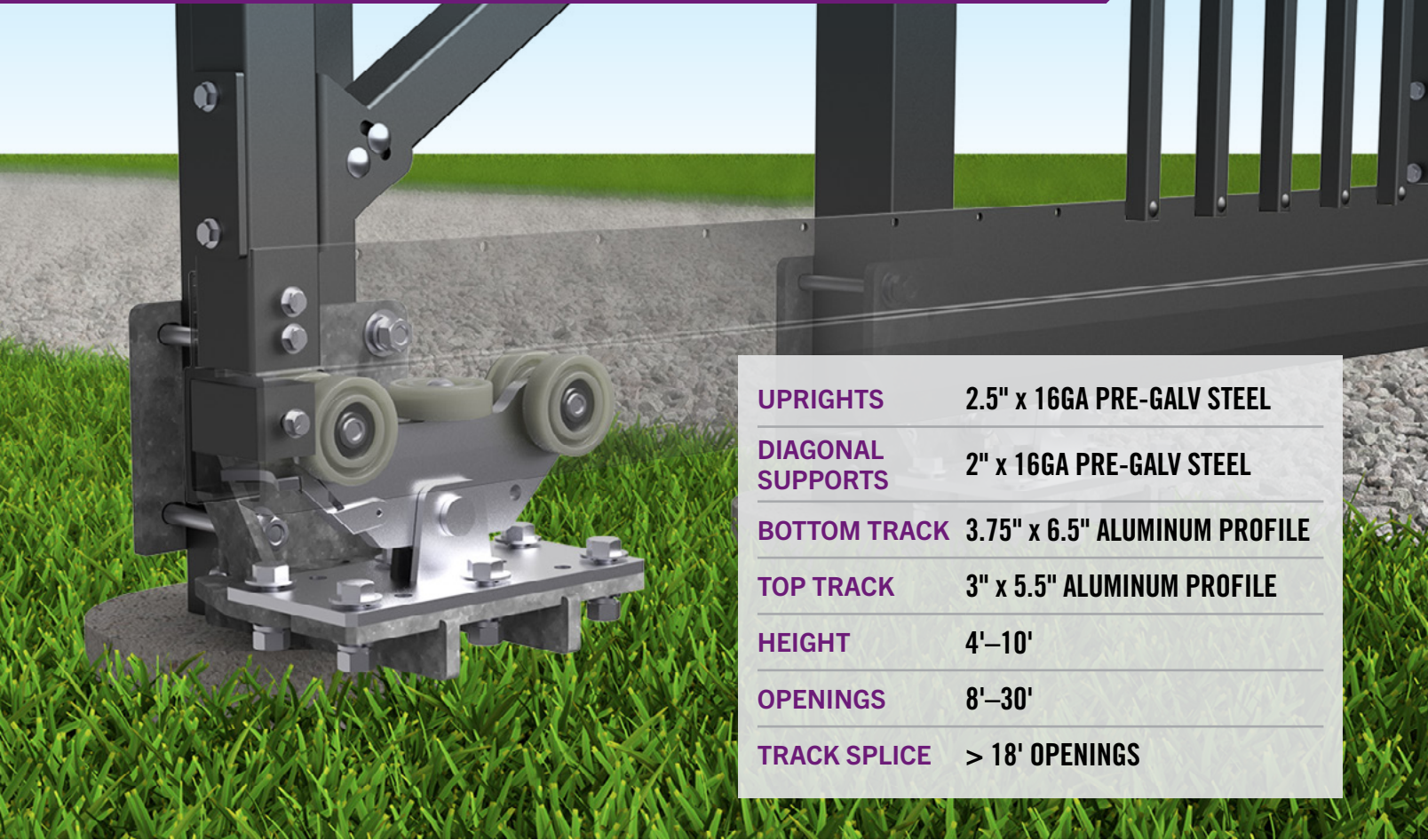
AMERISTARFENCE.COM | 888-333-3422

Experience a safer and more open world

AMERISTAR[®]

ASSA ABLOY

TRANSPORT® TRAVERSE



UPRIGHTS	2.5" x 16GA PRE-GALV STEEL
DIAGONAL SUPPORTS	2" x 16GA PRE-GALV STEEL
BOTTOM TRACK	3.75" x 6.5" ALUMINUM PROFILE
TOP TRACK	3" x 5.5" ALUMINUM PROFILE
HEIGHT	4'-10'
OPENINGS	8'-30'
TRACK SPLICE	> 18' OPENINGS

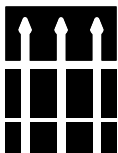
KNOCKDOWN GATE SYSTEM | ASSEMBLED ON-SITE | EASE OF TRANSPORT

TransPort TRAVERSE II®

1" Ornamental Picket Design
8'-30' Gate Openings

Matches: Montage II, Echelon II, Aegis II

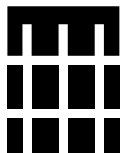
STYLES



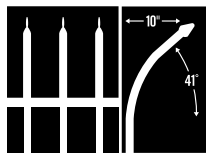
CLASSIC™



MAJESTIC™



GENESIS™



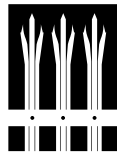
INVINCIBLE™

TransPort TRAVERSE IS®

2.75" Security Pale Design
8'-24' Gate Openings

Matches: Impasse II, Impasse II AntiScale

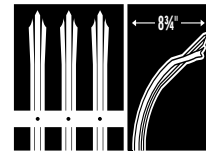
STYLES



TRIDENT™



STRONGHOLD™



GAUNTLET™

NOTE:
Styles, colors
and adornments
are based upon
fence system.
Some options
not shown.