

TRANSPORT[®]



ENGINEERED CANTILEVER GATES

TransPort is a *revolutionary cantilever gate system* made up of three components; *frame, façade and hardware*. Because of its unique design, TransPort gates can be *easily installed without the use of equipment or excess labor*.



PRIMARY APPLICATIONS

- **Water Treatment & Storage**
- **Municipal Facilities**
- **Government Facilities**
- **Airports**
- **Manufacturing Plants**
- **Petro & Chemical Facilities**
- **Power Plants & Substations**
- **Schools & Universities**
- **Stadiums & Event Centers**



FENCE PRODUCTS

AMERISTARFENCE.COM | 888-333-3422

ASSA ABLOY, the global leader in door opening solutions

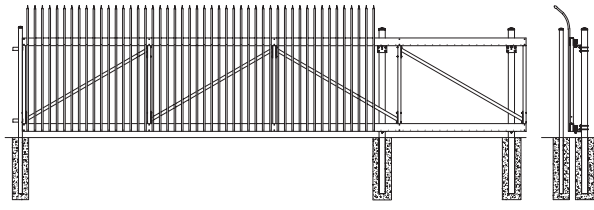
AMERISTAR[®]

ASSA ABLOY

TRANSPORT[®]

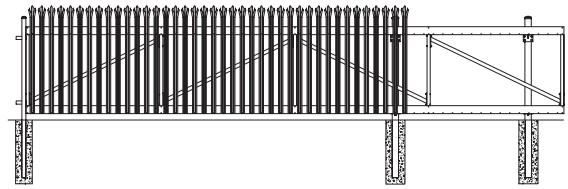
ENGINEERED CANTILEVER GATES

2"sq x .25" wall UPRIGHTS & DIAGONAL BRACES | 5" x 2" FAST-TRAK



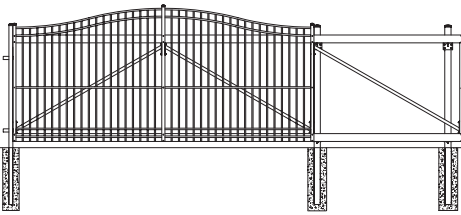
TRANSPORT II[®]

1" Ornamental Picket Design | *Invincible shown
Matches: Montage II | Echelon II | Aegis II



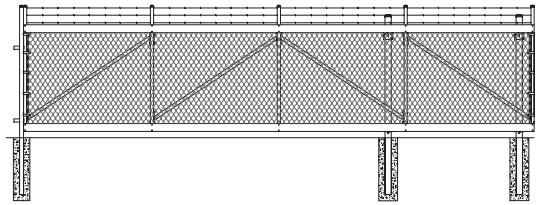
TRANSPORT IS[®]

2.75" Ornamental Pale Design | *Trident shown
Matches: Impasse II



TRANSPORT ESTATE[®]

.75" Ornamental Arched Picket Design | *Majestic shown
Matches: Aluminum Estate Entry Gates



TRANSPORT LINK[®]

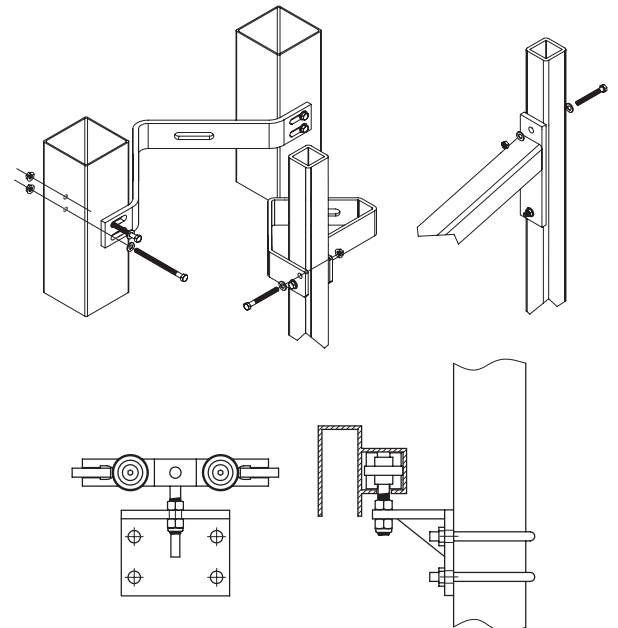
Chain Link Design
Matches: Chain Link Fence

GATE DESIGN

The component design of Ameristar's TransPort Cantilever gate decreases the risk of damage during transit. The new TransPort design does not require a team of installers or machinery to install the gate frame, the cantilever gate can easily be installed with a standard three man crew in about two hours.

HARDWARE

Unlike other engineered cantilever gates, Transport gates greater than 24' openings come equipped with 4 internal trollies that distribute the weight of the gate as it is opened and closed.



#9796 | REVISED 07/2018



FENCE PRODUCTS

TO PLACE YOUR ORDER CALL 888-333-3422

VISIT AMERISTARFENCE.COM