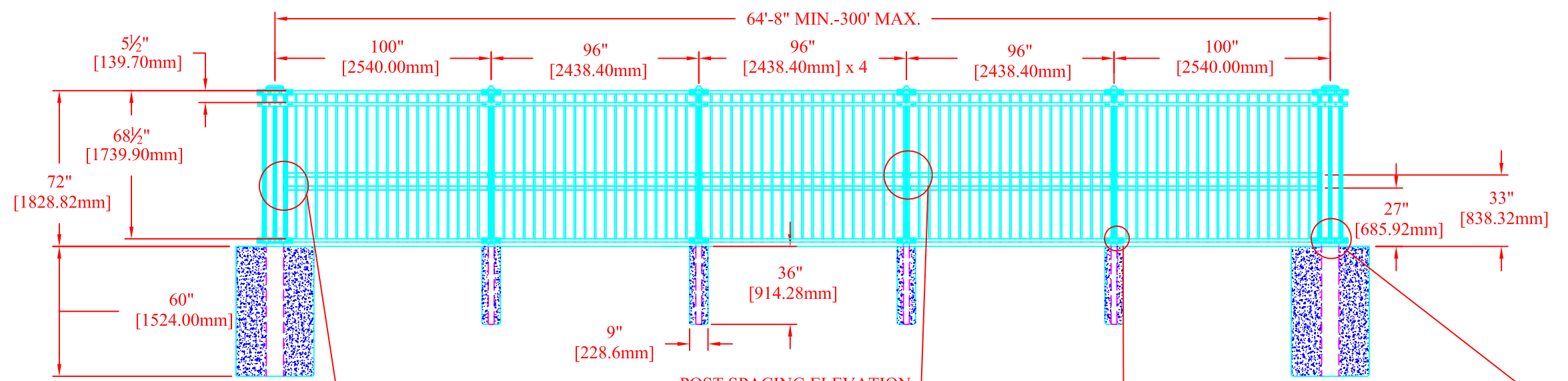
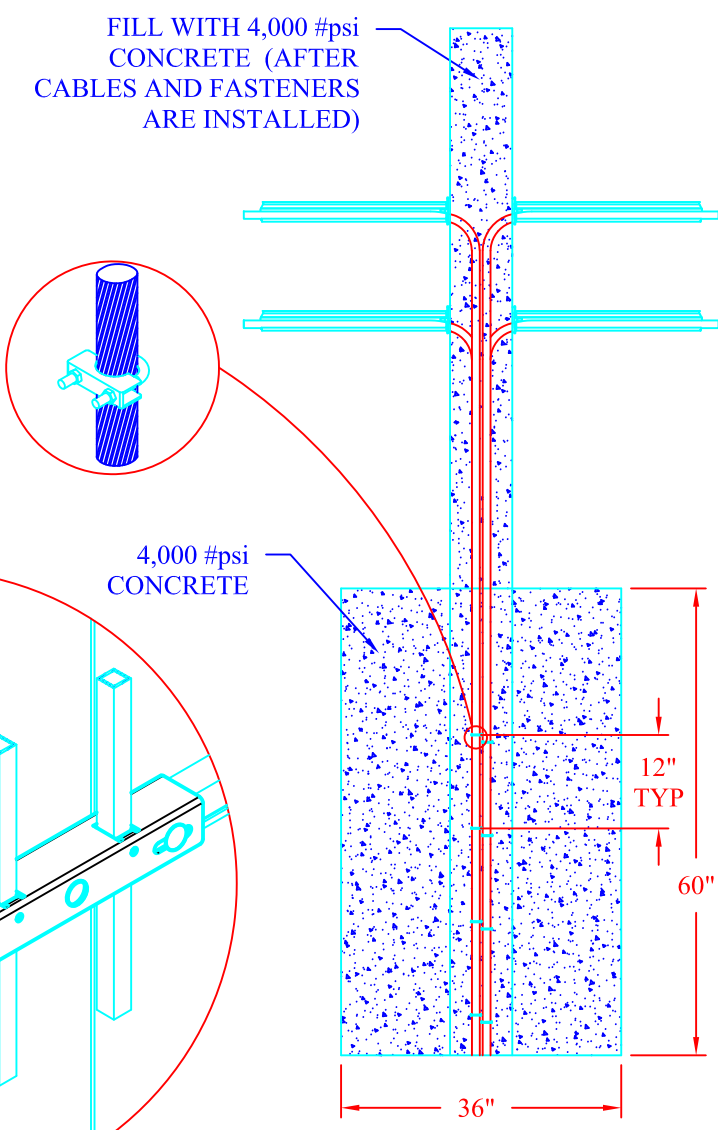


CABLE RUN ELEVATION

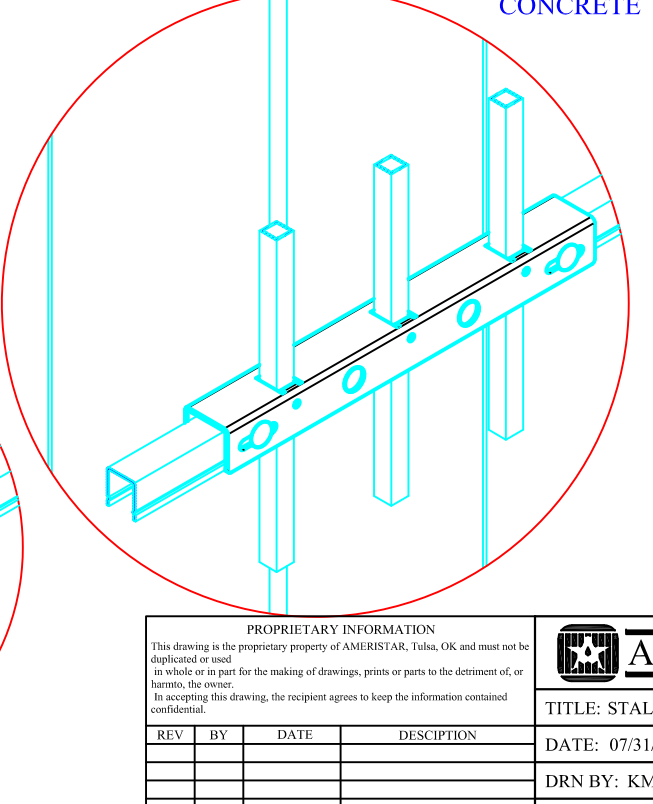
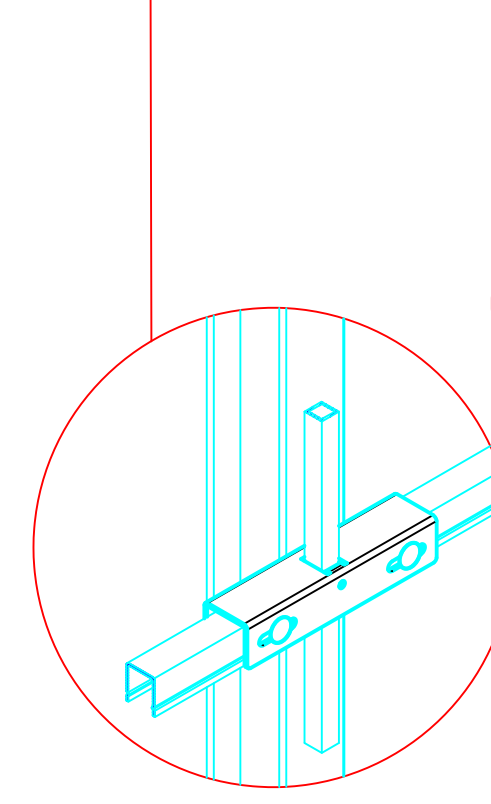
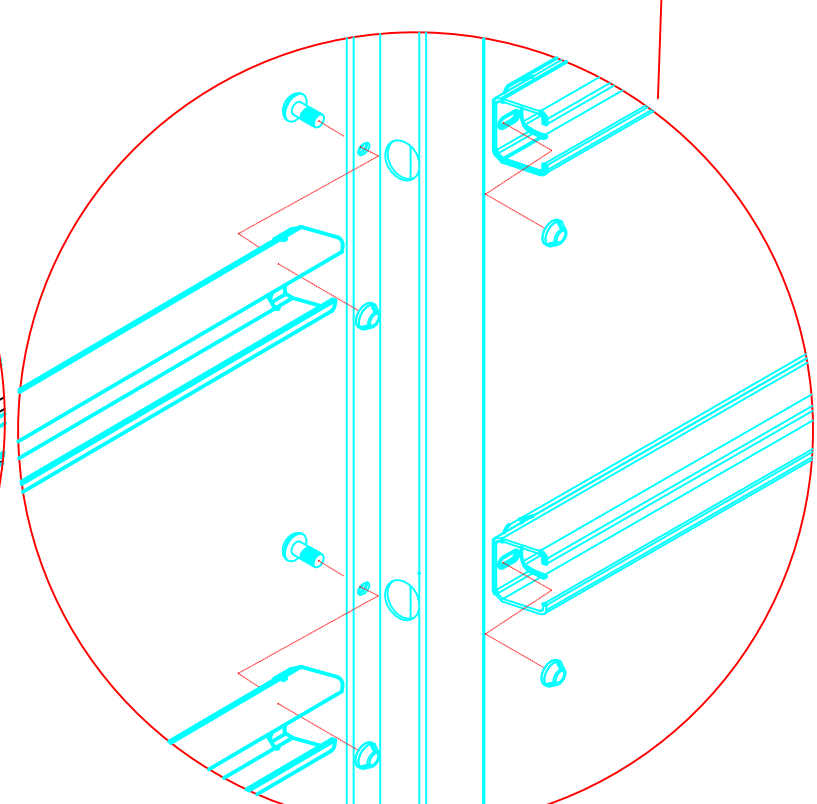
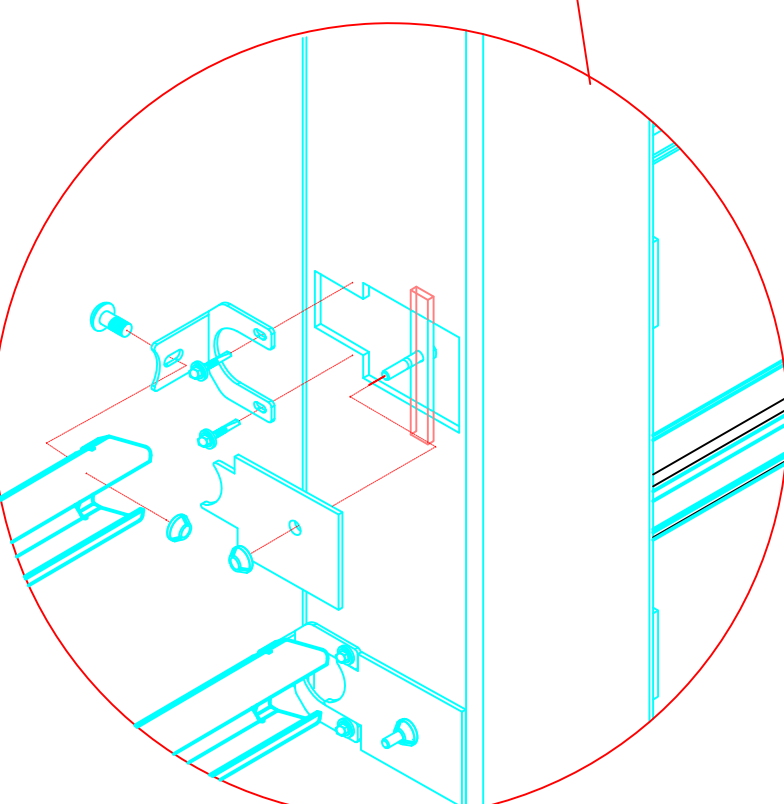
THE PU30-P2 SYSTEMS HAVE BEEN ENGINEERED TO COMPLY WITH THE IMPACT CONDITIONS AND PENETRATION DISTANCES SPECIFIED IN THE ASTM F2656 CLASSIFICATIONS.



POST SPACING ELEVATION



BOLLARD DETAIL



<small>PROPRIETARY INFORMATION This drawing is the proprietary property of AMERISTAR, Tulsa, OK and must not be duplicated or used in whole or in part for the making of drawings, prints or parts to the detriment of, or harm to, the owner. In accepting this drawing, the recipient agrees to keep the information contained confidential.</small>							<small>1555 N. Mingo Tulsa, OK 74116 1-888-333-3422 www.ameristarfence.com</small>		
TITLE: STALWART PU30-P2 MONTAGE PLUS MAJESTIC									
REV	BY	DATE	DESCRIPTION	DATE: 07/31/2017	SCALE: DNS	SHEET: 1/1			
				DRN BY: KMc	CHK BY:	REV: A			
DRAWING NO: 98-0143									