

# Sentinel Shallow Mount Wedge Installation Document



1555 N Mingo Road,  
Tulsa,  
OK, 74116  
(918) 835-0898  
[www.ameristarfence.com](http://www.ameristarfence.com)

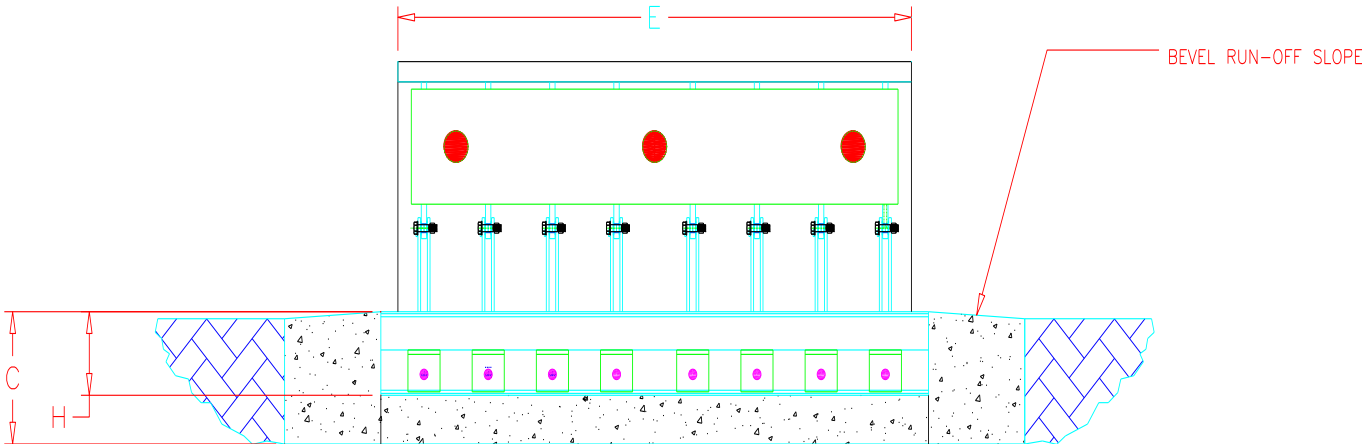
# Sentinel Installation



- Excavation 18" depth (495mm).
- Allow enough width for rebar and support anchors (dependant upon the width of the unit).

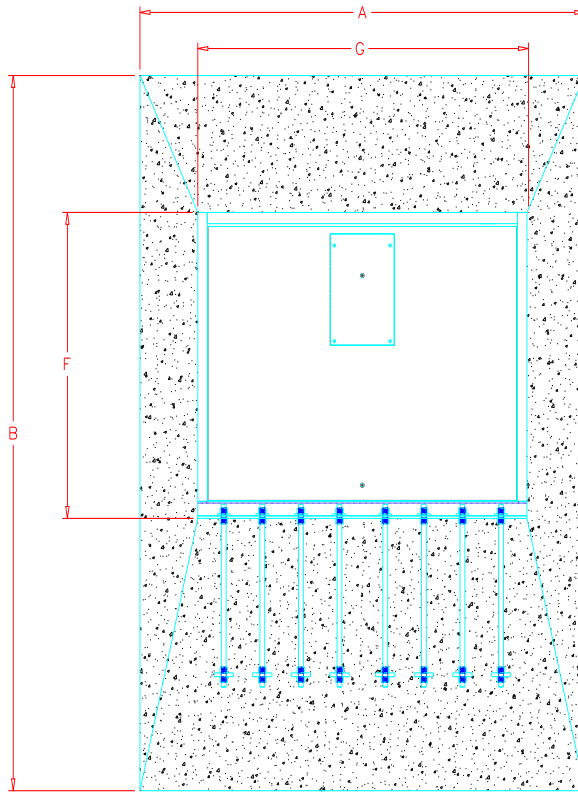


# Sentinel Installation



	Dimension	A	B	C	D	E	F	G	H
8' foot	Inch	138.0	188.0	19.0	38.0	96.0	79.7	102.9	12.00
	mm	3505	4775	483	965	2438	2025	2613	305
10' foot	Inch	168.0	176	19.0	38.0	120.0	79.7	127.0	12.00
	mm	4267	4470	483	965	3048	2025	3226	305
12' foot	Inch	198.0	164	19.0	38.0	144.0	79.7	151.0	12.00
	mm	5029	4166	483	965	3658	2025	3835	305
14' foot	Inch	228.0	152	19.0	38.0	168.0	79.7	175.0	12.00
	mm	5791	3861	483	965	4267	2025	4445	305

# Sentinel Installation



TOP (PLAN) VIEW



DIRECTION OF VEHICLE ATTACK

	Dimension	A	B	C	D	E	F	G	H
8' foot	Inch	138.0	188.0	19.0	38.0	96.0	79.7	102.9	12.00
	mm	3505	4775	483	965	2438	2025	2613	305
10' foot	Inch	168.0	176	19.0	38.0	120.0	79.7	127.0	12.00
	mm	4267	4470	483	965	3048	2025	3226	305
12' foot	Inch	198.0	164	19.0	38.0	144.0	79.7	151.0	12.00
	mm	5029	4166	483	965	3658	2025	3835	305
14' foot	Inch	228.0	152	19.0	38.0	168.0	79.7	175.0	12.00
	mm	5791	3861	483	965	4267	2025	4445	305

# Sentinel Installation



First Layer of Rebar and  
Concrete Forms

Verify forms are level



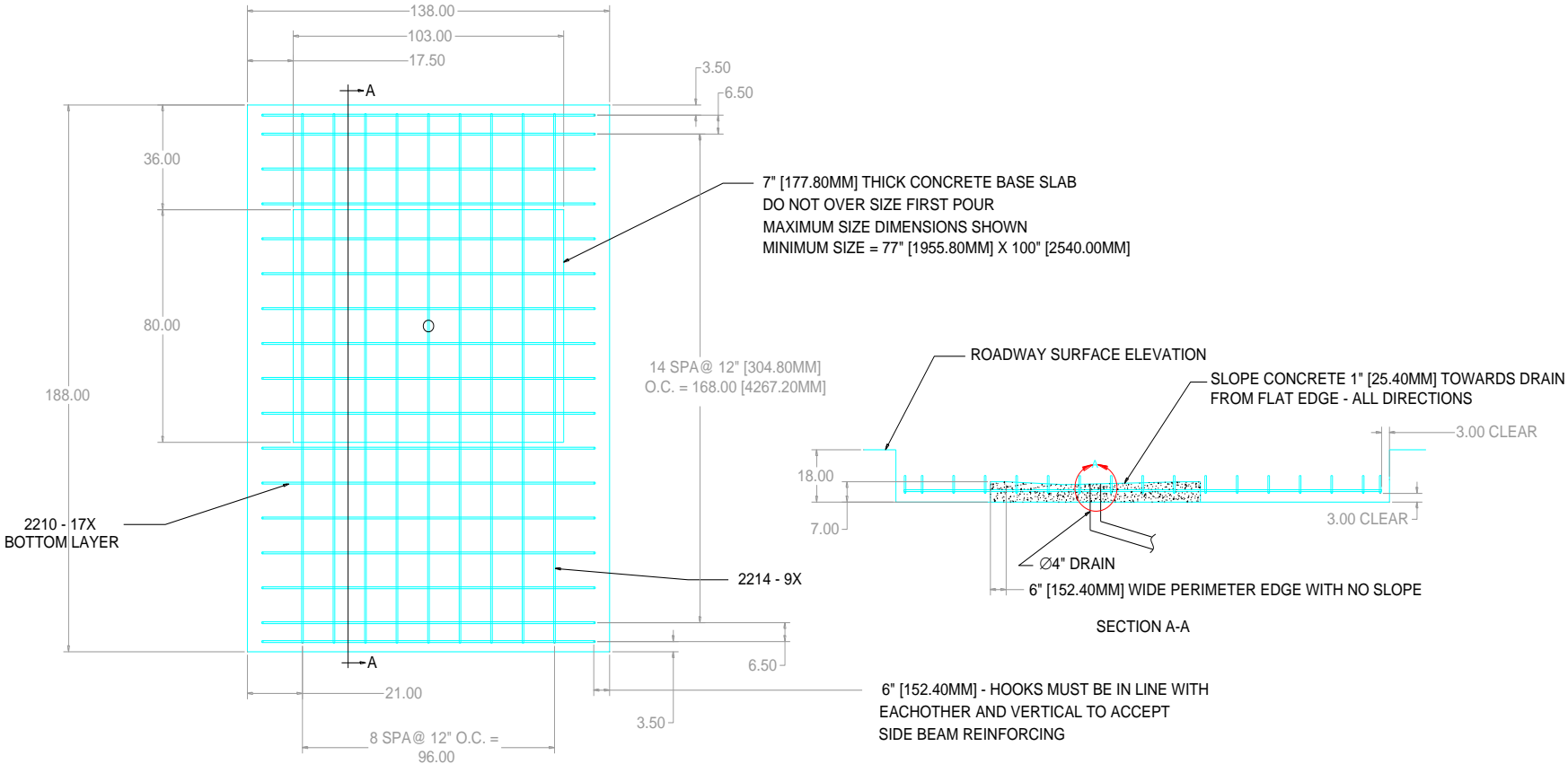
# Sentinel Installation

## 8' Sentinel Rebar

Hooks - Aligned and Vertical

4" Drain Pipe Sloped in 1' towards Drain in all directions

Reference Drawings P.1





# Sentinel Installation



First Pour of Concrete (min 7"/192mm)



Do not Over Pour (Note: Vertical Alignment of Anchor Hooks)

Trowel finish

# Sentinel Installation



Place Sentinel  
on First Pour Pad

Install Anchor Bars





# Sentinel Installation



Install Pre-Assembled Side Saddle Rebar



Tie-in with First Layer Rebar

# Sentinel Installation



Connect Hydraulic (1 each 3")  
and Electrical (2 each 1")  
Conduits



Add Top Layer Rebar and Tie in  
to Side Saddles.



# Sentinel Installation



Final Pour

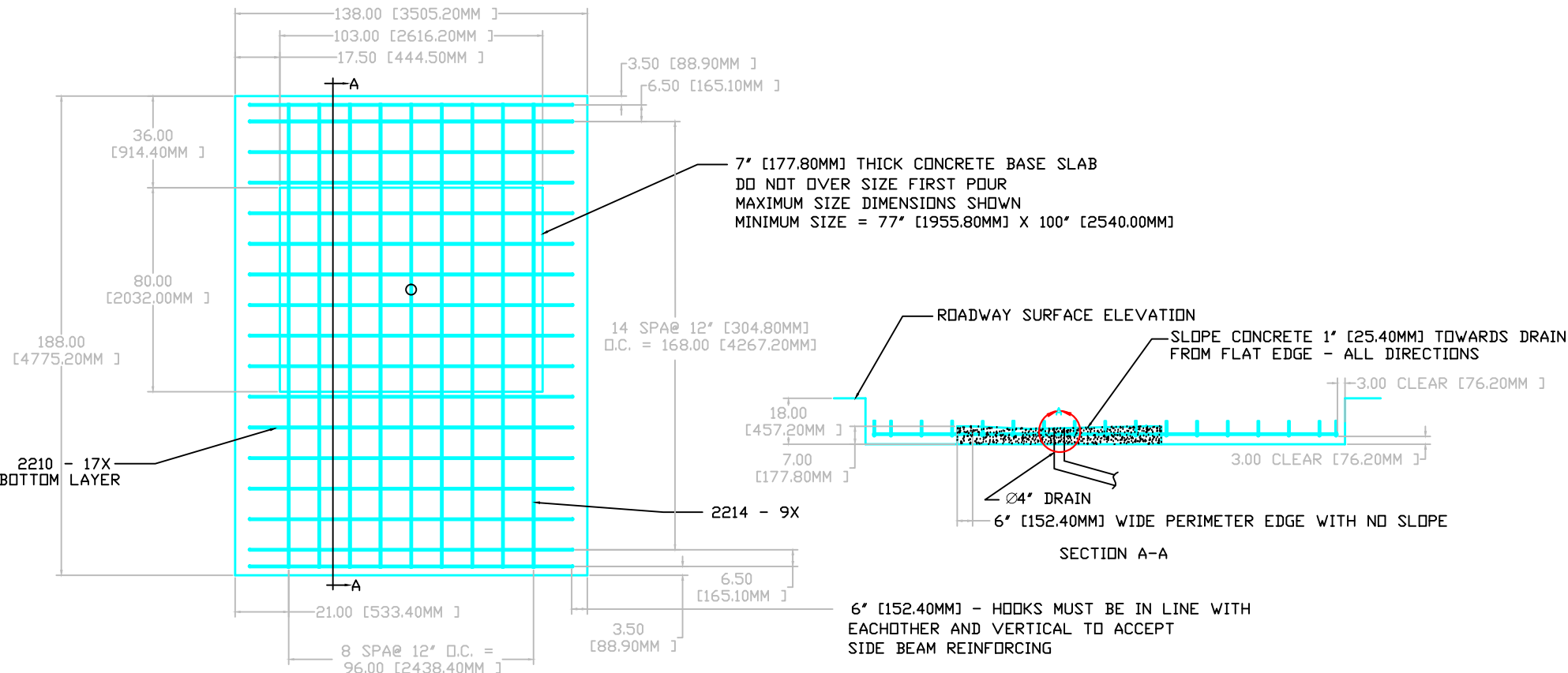
Finish Concrete



# Example Installations







7' [177.80MM] THICK CONCRETE BASE SLAB  
 DO NOT OVER SIZE FIRST POUR  
 MAXIMUM SIZE DIMENSIONS SHOWN  
 MINIMUM SIZE = 77' [1955.80MM] X 100' [2540.00MM]

ROADWAY SURFACE ELEVATION  
 SLOPE CONCRETE 1' [25.40MM] TOWARDS DRAIN  
 FROM FLAT EDGE - ALL DIRECTIONS  
 3.00 CLEAR [76.20MM]  
 3.00 CLEAR [76.20MM]  
 Ø4" DRAIN  
 6' [152.40MM] WIDE PERIMETER EDGE WITH NO SLOPE  
 SECTION A-A

6' [152.40MM] - HOOKS MUST BE IN LINE WITH  
 EACHOTHER AND VERTICAL TO ACCEPT  
 SIDE BEAM REINFORCING


**BASE SLAB AND BOTTOM LAYER REINFORCING**  
 SEE SHEET 2 FOR TOP LAYER AND SIDE BEAM REINFORCING  
 SEE SHEET 3 FOR BARRIER AND ANCHOR BOLT PLACEMENT

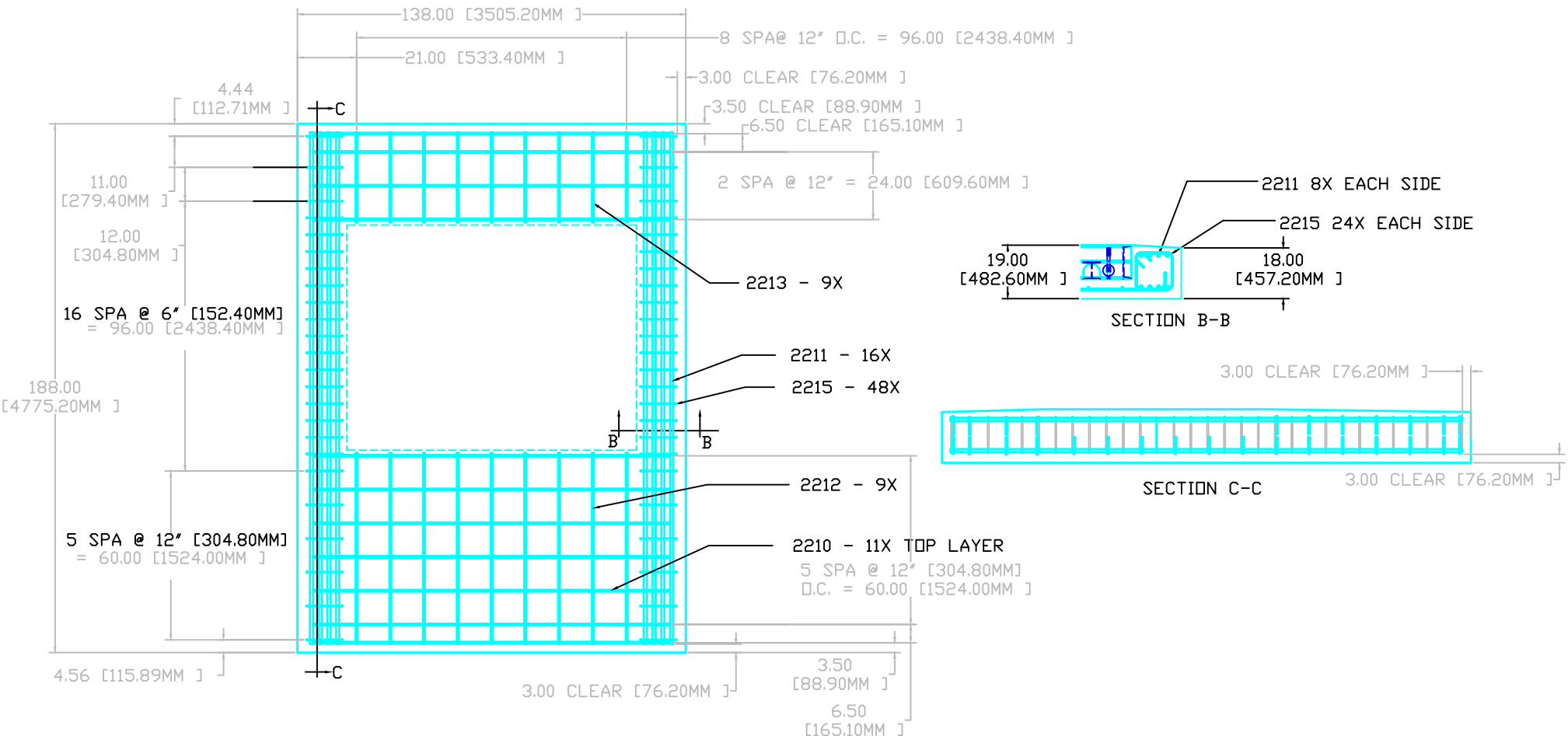
**CONCRETE**

1. MINIMUM CONCRETE COMPRESSIVE STRESS = 4000 PSI [C25/30] IN 28 DAYS
2. MAXIMUM WATER CEMENT RATIO = 0.45 IN FREEZE/THAW CLIMATES, OTHERWISE 0.50
3. HIGH WORKABILITY REQUIRED TO PLACE CONCRETE IN SIDE BEAM SECTION. VIBRATION "STINGER" REQUIRED FOR PROPER PLACEMENT.
4. SPECIFICATIONS:
  1. PORTLAND CEMENT : ASTM C150, TYPE I OR II [EN 1.97.1]
  2. FLY ASH : ASTM C 618, CLASS F OR C.
  3. AGGREGATES: ASTM C33
  4. WATER: POTABLE
  5. ALL ADMIXTURES MUST MEET ASSOCIATED ASTM SPECIFICATIONS

**INSTALLATION**

1. METAL REBAR CHAIRS REQUIRED TO HOLD REINFORCING AT PROPER DISTANCE (3" MIN) ABOVE SOIL
2. ANCHOR BOLTS MUST BE HELD LEVEL AND STRAIGHT DURING CONCRETE PLACEMENT. ADDITIONAL REBAR CAN BE INCLUDED TO SUPPORT ANCHOR BOLT END.
3. REINFORCING TO BE TIED TOGETHER AT ALL INTERSECTIONS

PROPRIETARY INFORMATION This drawing is the proprietary property of AMERISTAR, Tulsa, OK and must not be duplicated or used in whole or in part for the making of drawings, prints or parts to the detriment of, or harm to the owner. In accepting this drawing, the recipient agrees to keep the information contained confidential.			1555 N. Mingo Tulsa, OK 74116 1-888-333-3422 www.ameristarfence.com
	<b>TITLE: 8FT SENTINEL BASE AND DRAIN</b>		
	<b>DATE:</b>	<b>SCALE:</b>	<b>SHEET:</b> 1/1
	<b>DRN BY:</b>	<b>CHK BY:</b> xxxxxxxx	<b>REV:</b> a
<b>DRAWING NO:</b>			

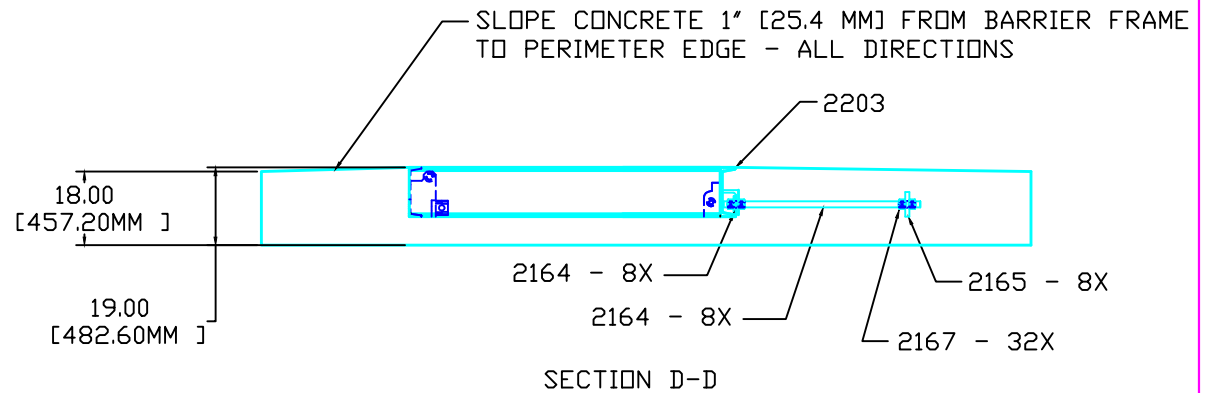
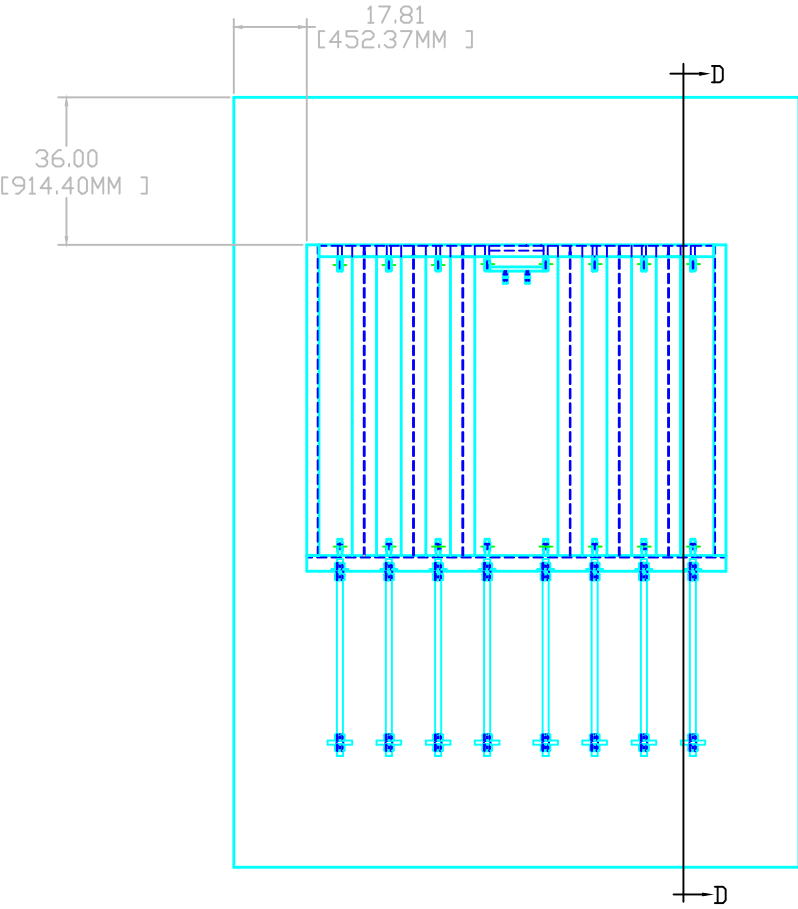


TOP LAYER AND SIDE BEAM REINFORCING  
 SEE SHEET 1 FOR BASE SLAB AND BOTTOM LAYER REINFORCING  
 SEE SHEET 3 FOR BARRIER AND ANCHOR BOLT PLACEMENT


PROPRIETARY INFORMATION  
 This drawing is the proprietary property of AMERISTAR, Tulsa, OK and must not be duplicated or used in whole or in part for the making of drawings, prints or parts to the detriment of, or harm to the owner. In accepting this drawing, the recipient agrees to keep the information contained confidential.

 **AMERISTAR®**  
 1555 N. Mingo  
 Tulsa, OK 74116  
 1-888-333-3422  
 www.ameristarfence.com

TITLE:		
DATE:	SCALE:	SHEET: I/1
DRN BY:	CHK BY: xxxxxxxx	REV: a
DRAWING NO:		



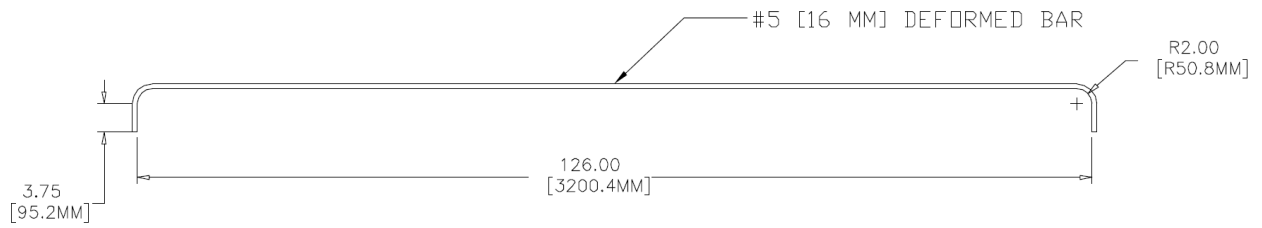
BARRIER AND ANCHOR BOLT PLACEMENT  
 SEE SHEET 1 FOR BASE SLAB AND BOTTOM LAYER REINFORCING  
 SEE SHEET 2 FOR TOP LAYER AND SIDE BEAM REINFORCING

<p><b>PROPRIETARY INFORMATION</b></p> <p>This drawing is the proprietary property of AMERISTAR, Tulsa, OK and must not be duplicated or used in whole or in part for the making of drawings, prints or parts to the detriment of, or harm to the owner. In accepting this drawing, the recipient agrees to keep the information contained confidential.</p>			1555 N. Mingo Tulsa, OK 74116 1-888-333-3422 <a href="http://www.ameristarfence.com">www.ameristarfence.com</a>
	TITLE:		
	DATE:	SCALE:	SHEET: 1/1
	DRN BY:	CHK BY: xxxxxxxx	REV: a
	DRAWING NO:		

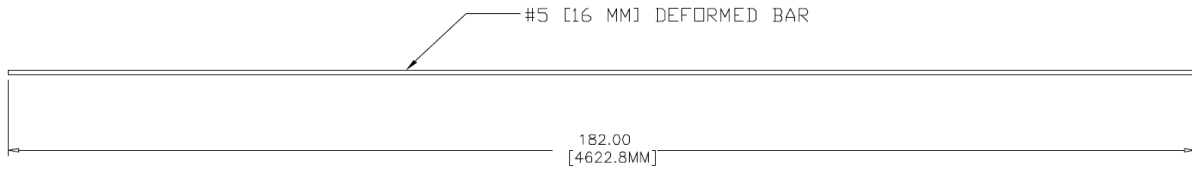
**8ft Sentinel Rebar**

Product	Part #	Quantity	Size
8ft Sent	2210	17	#5
8ft Sent	2214	9	#5
8ft Sent	2213	9	#5
8ft Sent	2211	16	#9
8ft Sent	2215	48	#4
8ft Sent	2212	9	#5
8ft Sent	2210	11	#5

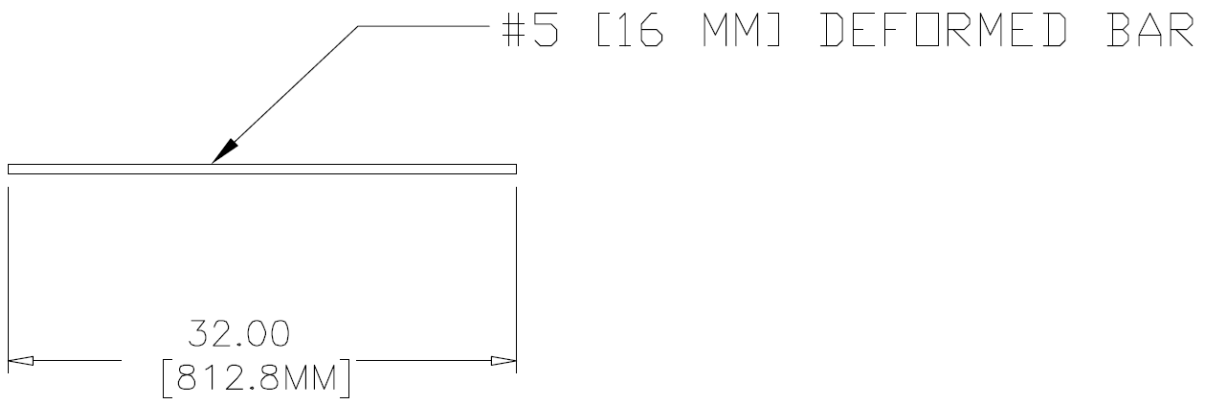
2210 – Quantity (17)



2214 – Quantity (9)

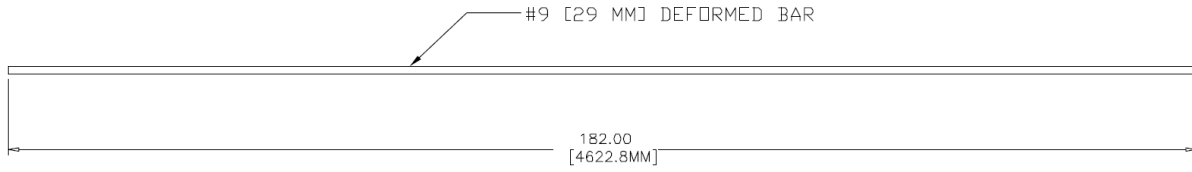


2213 – Quantity (9)

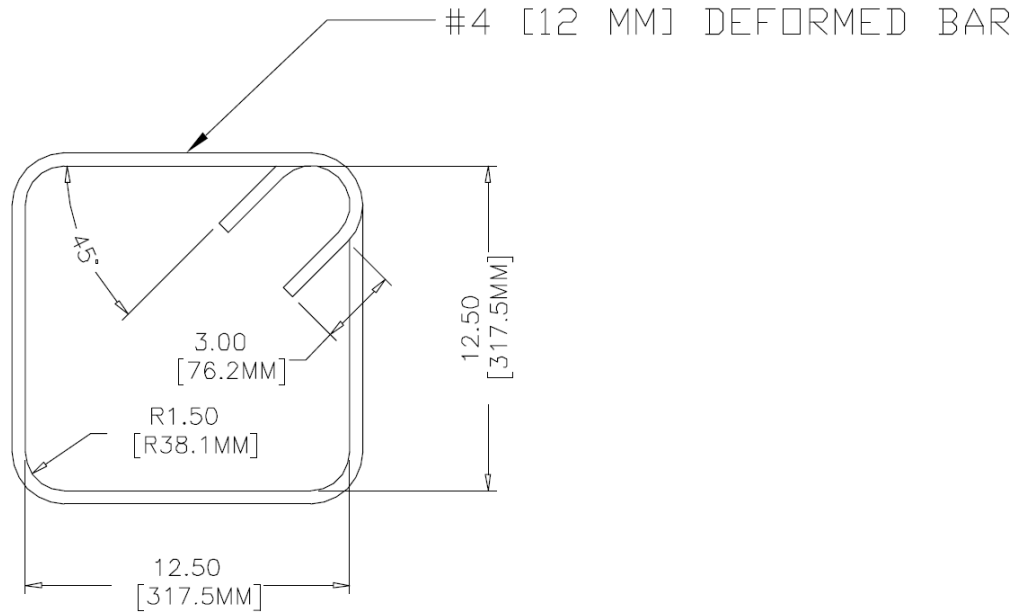




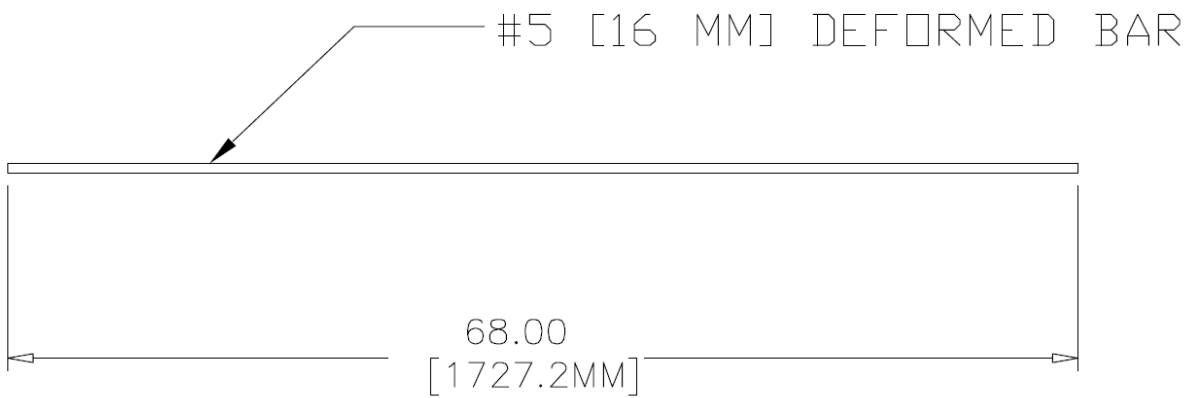
2211 – Quantity (16)



2215 – Quantity (48)



2212 – Quantity (9)



2210 – Quantity (11)

