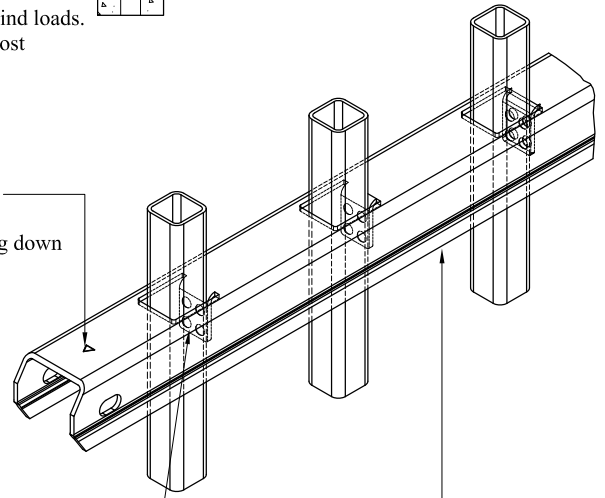


**NOTES:**

- 1.) Post size depends on fence height and wind loads. See *MONTAGE II™* specifications for post sizing chart and dimensions.
- 2.) Third & Fourth rail optional.
- 3.) Available in Flush Bottom.

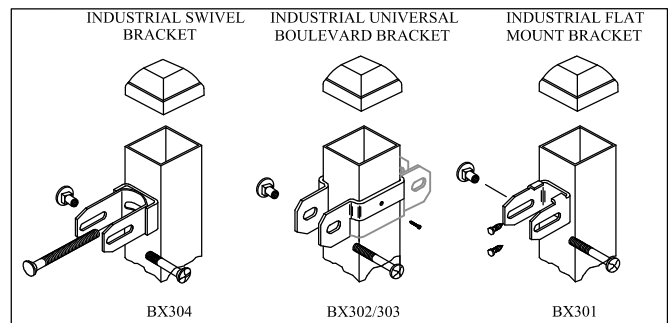
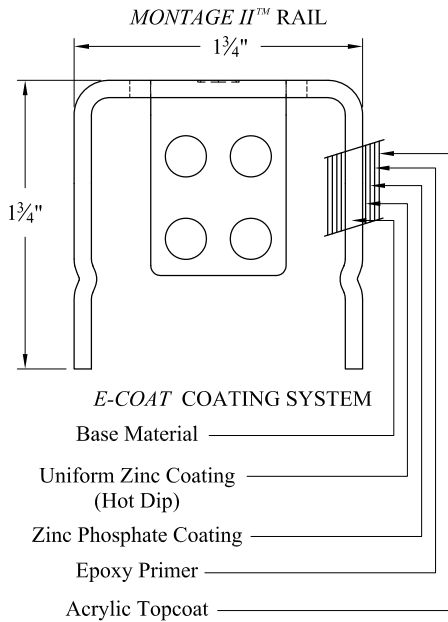
**RAKING DIRECTIONAL ARROW**  
 Welded panel can be raked 30" over 8' with arrow pointing down grade.



**PROFUSION™ WELDING PROCESS**

No exposed welds,  
 Good Neighbor profile - Same appearance on both sides

**MONTAGE II™ RAIL**  
 Specially formed high strength architectural shape.



Values shown are nominal and not to be used for installation purposes. See product specification for installation requirements.

**HEAVY INDUSTRIAL STRENGTH WELDED STEEL PANEL**  
**PRE-ASSEMBLED**

Title: <b>MONTAGE II MAJESTIC 2/3/4-RAIL</b>		
DR: RTM	SH . 1 of 1	SCALE: DO NOT SCALE
CK: ME	Date 6/28/10	REV: b



**AMERISTAR®**

1555 N. Mingo  
 Tulsa, OK 74116  
 1-888-333-3422  
 www.ameristarfence.com