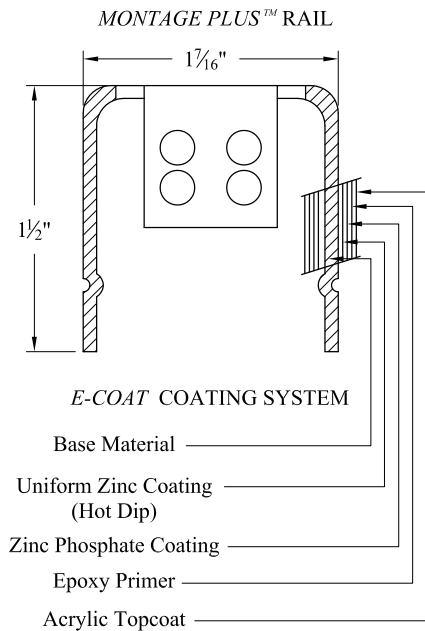


**NOTES:**

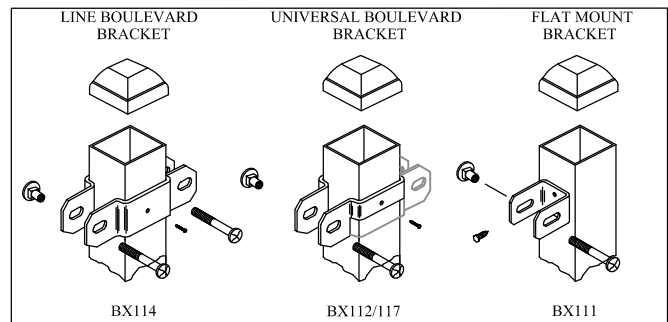
- 1.) Post size depends on fence height and wind loads. See MONTAGE PLUS™ specifications for post sizing chart.
- 2.) Forth rail optional.
- 3.) 7' - 8' Heights will require a 14ga Picket & 14ga Post.

**RAKING DIRECTIONAL ARROW**  
 Welded panel can be raked 30" over 8' with arrow pointing down grade.



**PROFUSION™ WELDING PROCESS**  
 No exposed welds,  
 Good Neighbor profile - Same appearance on both sides

MONTAGE PLUS™ RAIL  
 Specially formed high strength architectural shape.



**COMMERCIAL STRENGTH WELDED STEEL PANEL**  
**PRE-ASSEMBLED**

Values shown are nominal and not to be used for installation purposes. See product specification for installation requirements.

IRCIS07-8

Title: **MONTAGE COMMERCIAL CLASSIC 3/4-RAIL**

DR: NJB SH . 1 of 1 SCALE: DO NOT SCALE

CK: BS Date 09/21/11 REV: d



**AMERISTAR®**

1555 N. Mingo  
 Tulsa, OK 74116  
 1-888-333-3422  
 www.ameristarfence.com