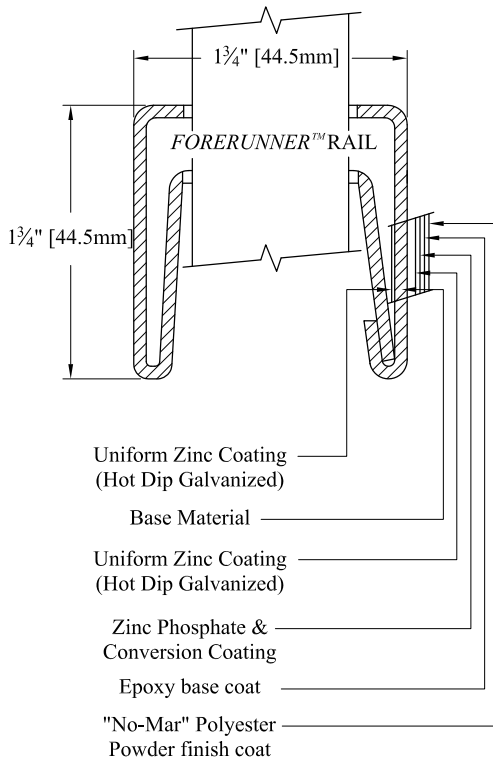


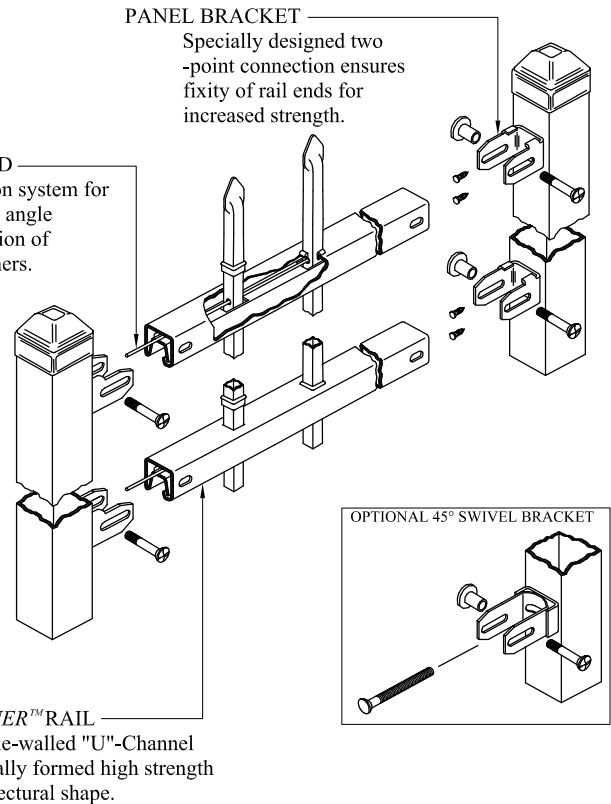
NOTES:

- 1.) Post size depends on fence height and wind loads. See AEGIS II™ post sizing chart.
- 2.) Panels also available for 6' [1828.8mm] on center post spacing
- 3.) Additional heights available on request
- 4.) Third rail optional.



INTERNAL RETAINING ROD

Variable pitch connection system for ease of installation, high angle bias ability and elimination of unsightly external fasteners.



Values shown are nominal and not to be used for installation purposes. See product specification for installation requirements.

INDUSTRIAL STRENGTH STEEL

Title: **AEGIS II CLASSIC 2/3-RAIL**

DR: KMc SH . 1 of 1 SCALE: DO NOT SCALE

CK: Date 04/14/2015 REV: d



AMERISTAR®

1555 N. Mingo
 Tulsa, OK 74116
 1-888-333-3422
 www.ameristarfence.com