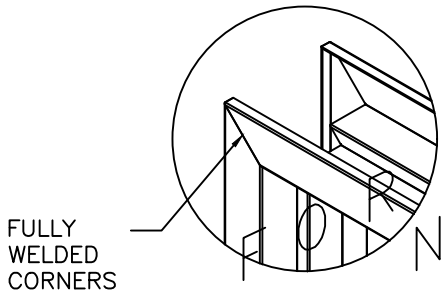
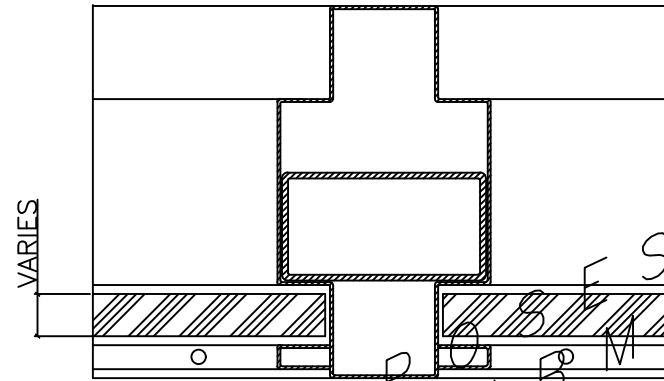


ELEVATION
1/2" = 1'-0"

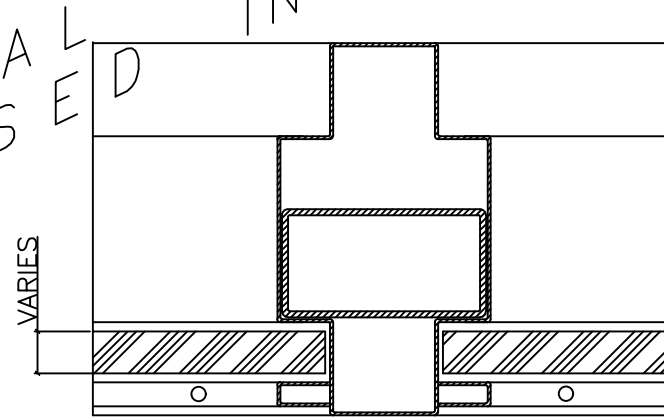
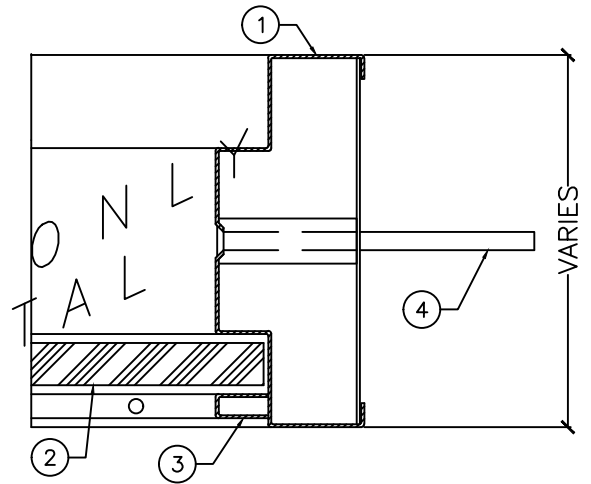


FULLY WELDED CORNERS

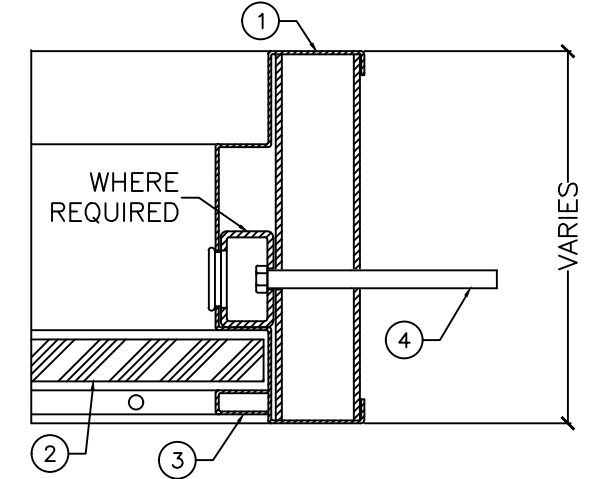
NOT INFORMATION UNLESS



LOW LEVEL BLAST FRAME DETAIL



MEDIUM - HIGH LEVEL BLAST FRAME DETAIL



DETAIL "A"
3" = 1'-0"

LEGEND:

- 1. BLAST RESISTANT STEEL FRAME
- 2. BLAST RESISTANT GLASS
- 3. REMOVABLE GLAZING BEADS
- 4. ANCHOR

NOTE:

- BLAST RESISTANT CAPABILITY IS DETERMINED BY SIZE AND PERFORMANCE REQUIREMENTS
- ARCHITECT/CONTRACTOR TO ENSURE WALL CAN RESIST POINT LOAD APPLIED BY FRAME ANCHORS
- QUANTITY AND TYPE OF ANCHORS DEPENDS ON WALL CONSTRUCTION AND PERFORMANCE REQUIREMENTS



DRAWING TITLE:

**TYPICAL BLAST RESISTANT BORROWED LITE
DOUBLE UNIT**

DATE: -

DRAWN BY: -

REVISION: