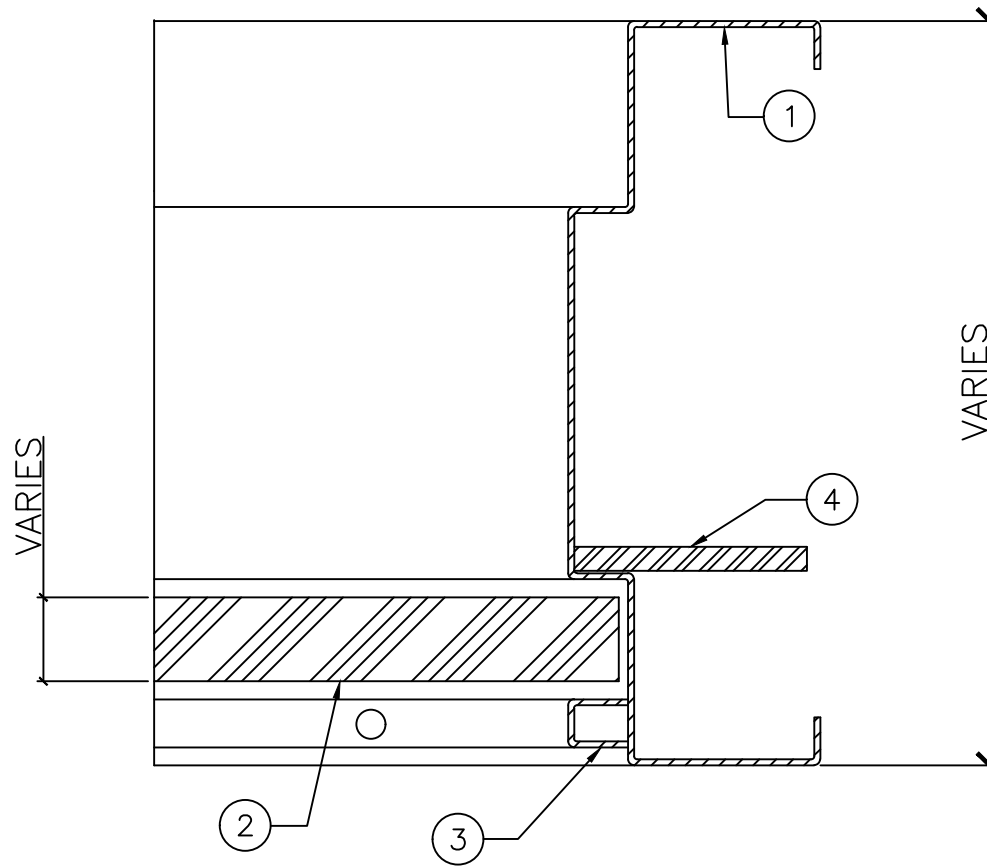


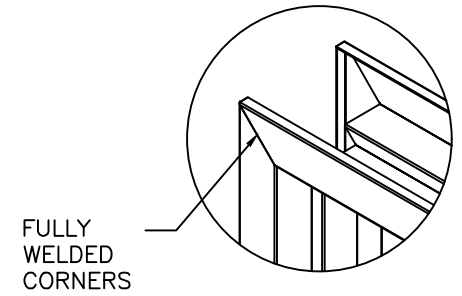
ELEVATION

3/4" = 1'-0"



DETAIL "A"

6"-0" = 1'-0"



LEGEND:

1. BULLET RESISTANT STEEL FRAME
2. BULLET RESISTANT GLASS
3. REMOVABLE GLAZING BEADS
4. ARMOUR PLATE AS REQUIRED

NOTE:

- GLASS THICKNESS CHANGES WITH BULLET RESISTANT PERFORMANCE RATING
- MAX GLASS SIZE - 60" X 120"



DRAWING TITLE:

**BULLET RESISTANT BORROWED LITE - UL752 LEVEL _____
SINGLE UNIT**

DATE: _____

DRAWN BY: _____

REVISION: _____