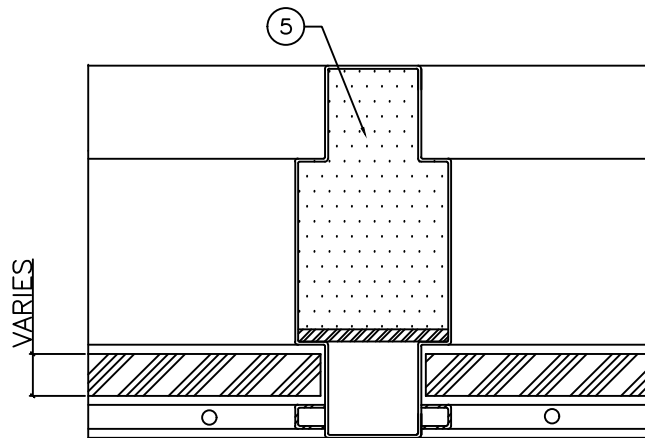
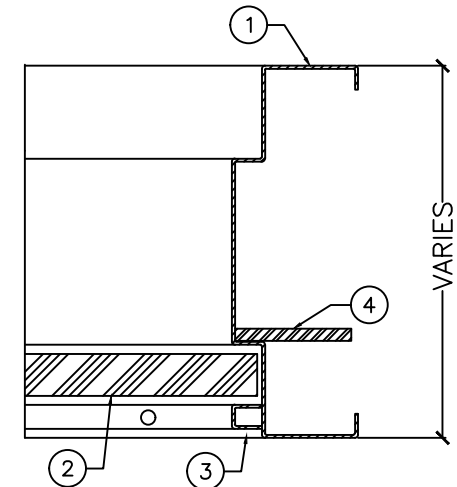


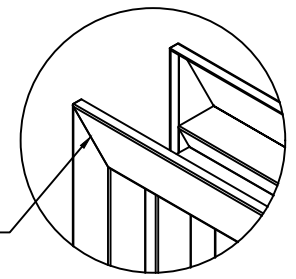
ELEVATION
 $1/2'' = 1'-0''$



DETAIL "A"
 $3''-0'' = 1'-0''$



FULLY WELDED CORNERS



LEGEND:

1. BULLET RESISTANT STEEL FRAME
2. BULLET RESISTANT GLASS
3. REMOVABLE GLAZING BEADS
4. ARMOUR PLATE AS REQUIRED
5. INSULATED FOR EXTERIOR APPLICATIONS

NOTE:

- GLASS THICKNESS CHANGES WITH BULLET RESISTANT PERFORMANCE RATING
- MAX GLASS SIZE - 60" X 120"



DRAWING TITLE:

BULLET RESISTANT BORROWED LITE - UL752 LEVEL _____
DOUBLE UNIT

DATE:	-
DRAWN BY:	-
REVISION:	