

January, 2019



DOOR WIDTH: 2'8" THROUGH 4'0"
DOOR HEIGHT: 6'8" THROUGH 8'0" SINGLES ONLY

1-3/4" THICK DOOR

STEEL TYPE CRS (STANDARD), A60
GALVANNEAL, G90
GALVANIZED

14 GA. (1.9) STANDARD
HINGE CHANNEL
12 GA. (2.6) ALTERNATE

HINGE HARDWARE: 4-1/2" X 4-1/2"
STANDARD WEIGHT MORTISED
BUTT HINGES; STEEL CONTINUOUS

16 GA. (1.4) FACE SKINS
BONDED TO CORE
14 GA. (1.9) ALTERNATE

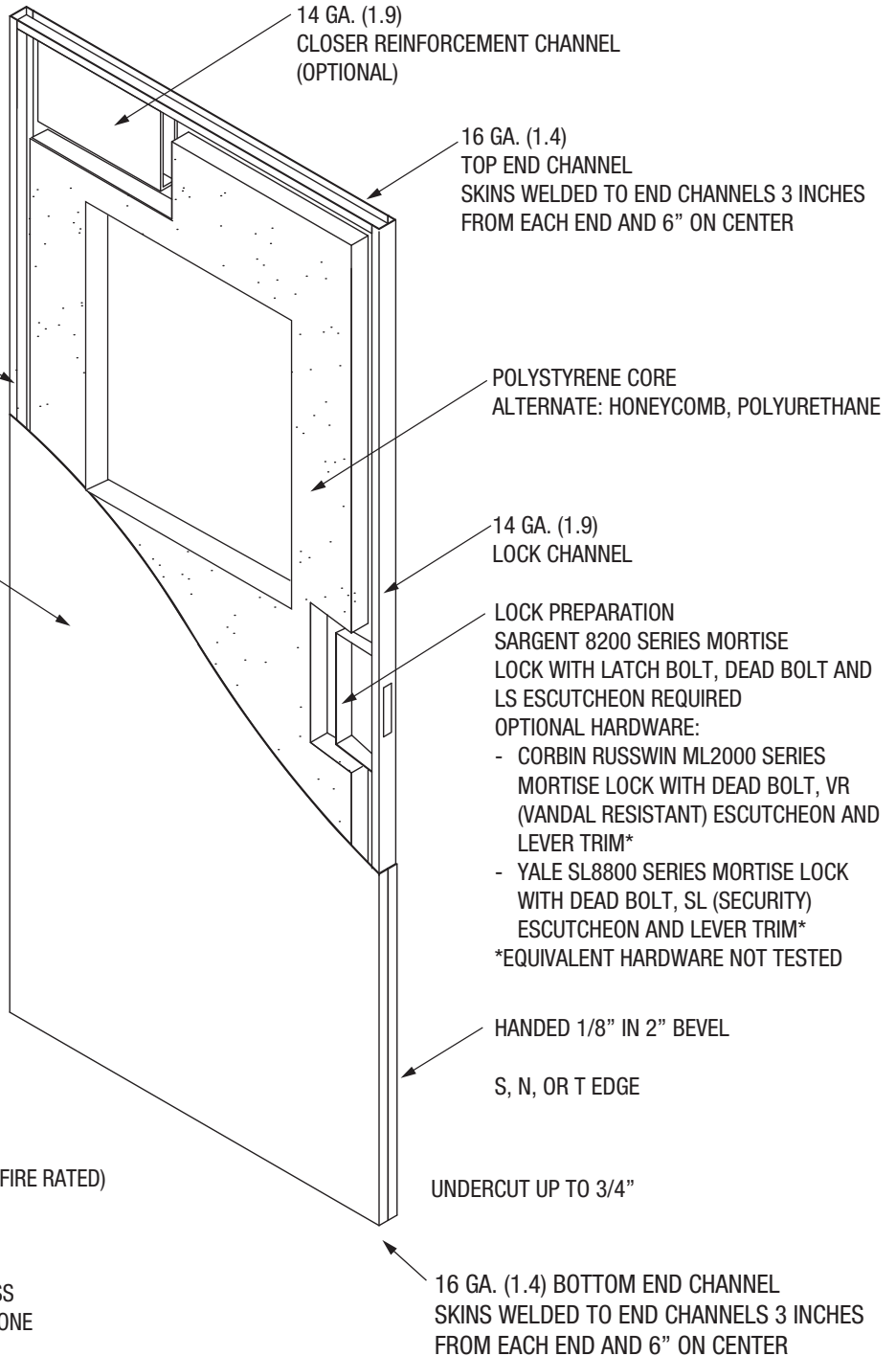
IN-SWING AND OUT-SWING
CONFIGURATIONS



TYPE 2 (5/8" POCKET)
20 GAUGE SURROUND CHANNEL
ALTERNATE: TYPE 10 (9/16" POCKET)
20 GA. SURROUND CHANNEL

TYPE 8 20-45 MINUTE: 1-3/8" POCKET
60 MINUTE: 1-1/2" POCKET
90 MINUTE: 2-1/16" POCKET

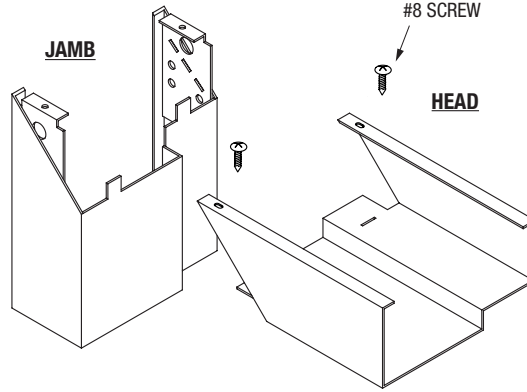
SCHOOL GUARD GLASS™ SG5™ (NON-FIRE RATED), SG5FR (FIRE RATED)
GLASS WIDTH: 3" MIN; 35-13/16" MAX.
GLASS HEIGHT: 10" MIN., 44" MAX.
6" MIN. STILE FROM EDGE OF DOOR TO VISIBLE GLASS
7-3/4" MIN. TOP RAIL FROM TOP OF DOOR TO VISIBLE GLASS
BEDDING MATERIAL DOW CORNING 995 STRUCTURAL SILICONE
GLAZING TAPE: TREMCO 440
CLOSED CELL FOAM



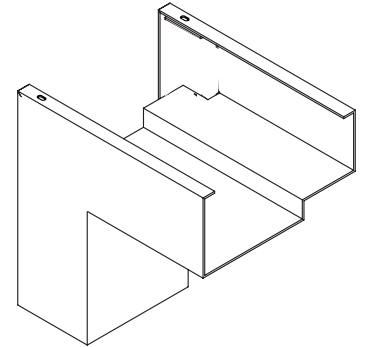
GLASS AND GLAZING:

- SCHOOL GUARD GLAZING™ SG5™ (NON-FIRE RATED), SG5FR™ (FIRE RATED)
 - GLASS AND GLAZING IS INCLUDED AND WILL BE SHIPPED LOOSE
- SIDELIGHT:**
 VISIBLE WIDTH 6"-47" X VISIBLE HEIGHT 10"-92-3/4"
 DOUBLE SIDELIGHTS AVAILABLE
 SIDELIGHTS CAN ALSO BE HALF SIDELIGHTS:
 VISIBLE WIDTH: 6" TO 24"
 VISIBLE HEIGHT: 10" TO 92-3/4"
BORROWED LIGHT: VISIBLE WIDTH
 3" - 24" X VISIBLE HEIGHT 10" X 92-3/4":
 ALTERNATE WIDTH MAXIMUM 35-13/16" WHEN
 MAXIMUM VISIBLE HEIGHT DOES NOT EXCEED 44"
 FIRE PROTECTION RATINGS AVAILABLE UP TO 90
 MINUTES FRAME AND GLASS SIZE MAY VARY BY FIRE
 RATING

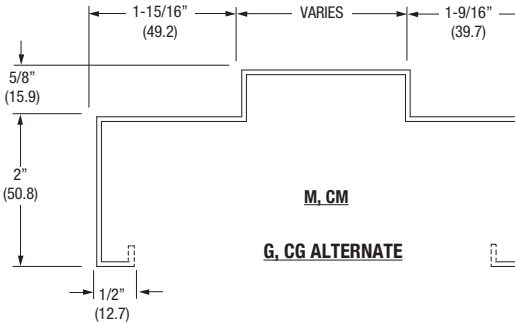
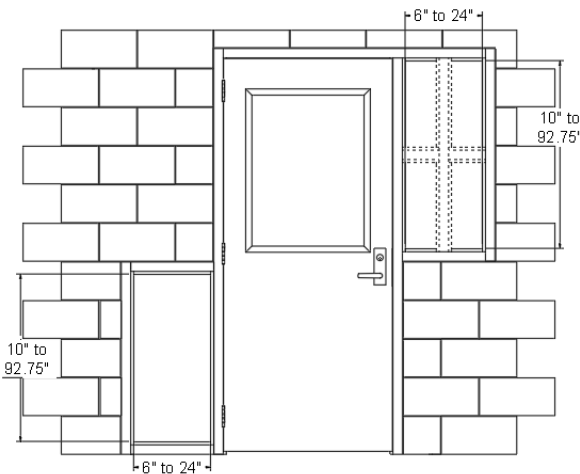
KD OR WELDED
 2" OR 4" FACE HEADS



WELD CORNER ASSEMBLY



Masonry KD 2" Face Flush Frame Unequal Rabbet



STRIKE PREPARATION: E1

HINGE PREPARATION:
 4-1/2" X 4-1/2" STANDARD WEIGHT
 MORTISED BUTT
 HINGES; STEEL CONTINUOUS

HINGE REQUIREMENTS:

- BUTT: THREE UP TO 90" HIGH, FOUR FOR HEIGHTS GREATER THAN 90"
- CONTINUOUS: STEEL SURFACE MOUNTED OR MORTISED

STEEL TYPE:

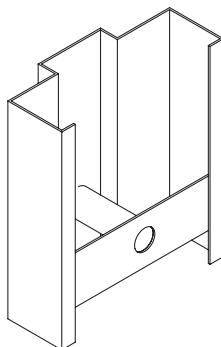
CRS (STANDARD),
 A60 GLAVANNEAL, G90 GALVANIZED

G, CG, CM PROFILE ALSO AVAILABLE

FIRE PROTECTION RATINGS AVAILABLE UP TO
 90 MINUTES FRAME AND GLASS SIZE MAY
 VARY BY FIRE RATING

KD "M" TYPE FLUSH
 GAUGE - 16 GA. (1.4), 14 GA. (1.9), 12 GA. (2.5)
 VARIABLE SOFFIT
 JAMB DEPTH 5-3/4" (146.1) THRU 14" (355.6) (1/8" (3.2)
 INCREMENTS)
 AVAILABLE WITH 4" (101.6) FACE HEADS
NOTE: 5-3/4" (146.1) JAMB DEPTH STANDARD WITH 7/16"
 (11.1) RETURNS
 TO PROVIDE 4-7/8" (123.8) THROAT OPENING

Pipe Spacer Anchor

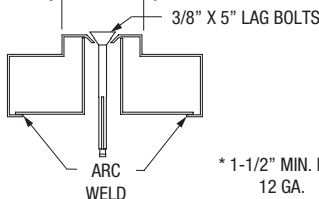


3/4" I.D.
 (19.1)

1"
 (25.4)

DIAMETER 3/8" (9.5) X 1-3/4" (44.5) EMBEDMENT
 LENGTH OR STEEL
 EXPANSION SHELL OR 3/8" (9.5)
 FLATHEAD BOLT

1-1/4" (31.7)
 GAUGE: 16 (DEFAULT)
 14, 12 (ALTERNATE)



* 1-1/2" MIN. FOR
 12 GA.

ANCHOR PART NUMBER: P0044
 ORDER CODE LOOSE: PS
 ORDER CODE WELDED: WPS

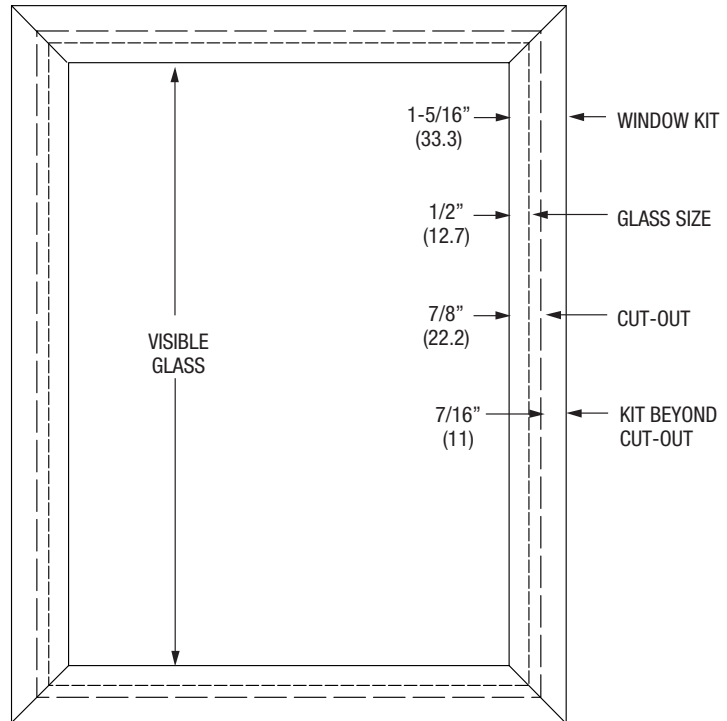
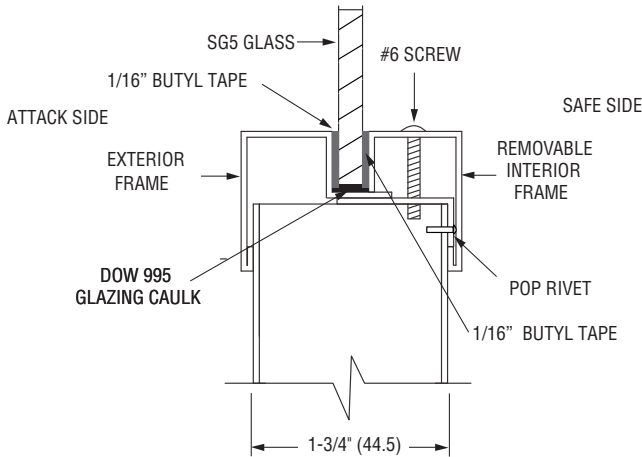
ALTERNATE ANCHORS:
 - ADJUSTABLE MASONRY
 - WOOD STUD
 - STEEL STUD
 - EXPANSION SHELL
 - MASONRY T

FIRE PROTECTION RATINGS AVAILABLE UP
 TO 90 MINUTES FRAME AND GLASS SIZE
 MAY VARY BY FIRE RATING

August, 2018



Attack Resistant Retrofit Kit Type 2 for Existing Hollow Metal Doors



| TYPE 2 HM DOOR | VISIBLE GLASS SIZE | CUTOUT SIZE | PART NUMBER |
|--|--------------------|------------------|-------------|
| ARKMV | 10 X 10 | 11-3/4 x 11-3/4 | CD149692 |
| ARKMV1212 | 12 X 12 | 13-3/4 x 13-3/4 | CD150402 |
| ARKMNV616 | 6 X 16 | 7-3/4 x 17-3/4 | CD151232 |
| ARKMNV636 | 6 X 36 | 7-3/4 x 37-3/4 | CD152062 |
| ARKMNV333 | 3 X 33 | 4-3/4 x 34-3/4 | CD154462 |
| ARKMNV424 | 4 X 24 | 5-3/4 x 25-3/4 | CD155292 |
| ARKMNV520 | 5 X 20 | 6-3/4 x 21-3/4 | CD156022 |
| ARKMNV624 | 6 X 24 | 7-3/4 x 25-3/4 | CD156852 |
| ARKMNV630 | 6 X 30 | 7-3/4 x 31-3/4 | CD157682 |
| ARKMNV425 | 4 X 25 | 5-3/4 x 26-3/4 | CD158422 |
| ARKMHG (3068) | 23 13/16 X 28 | 25-9/16 x 29-3/4 | CD159252 |
| ARKMHG (3070) | 23 13/16 X 32 | 25-9/16 X 33-3/4 | CD160062 |
| ARKMHG (3072) | 23 13/16 X 34 | 25-9/16 X 35-3/4 | CD160892 |
| ARKMC Custom Size Retro-Fit kits are priced per Sq. Ft. of visible glass (3 sq ft min.) | | | |

ATTACK RESISTANT RETROFIT KIT INCLUDES:
 - TYPE 2 LIGHT KIT FOR EXISTING METAL DOORS
 - SCHOOL GUARD GLASS SG5 ATTACK RESISTANT GALSS*
 - DOW 995 SILICONE GLAZING COMPOUND*
 - TREMCO 440 BUTYL TAPE TO BE APPLIED TO THE GLASS KIT INTERIOR AND EXTERIOR SIDES*

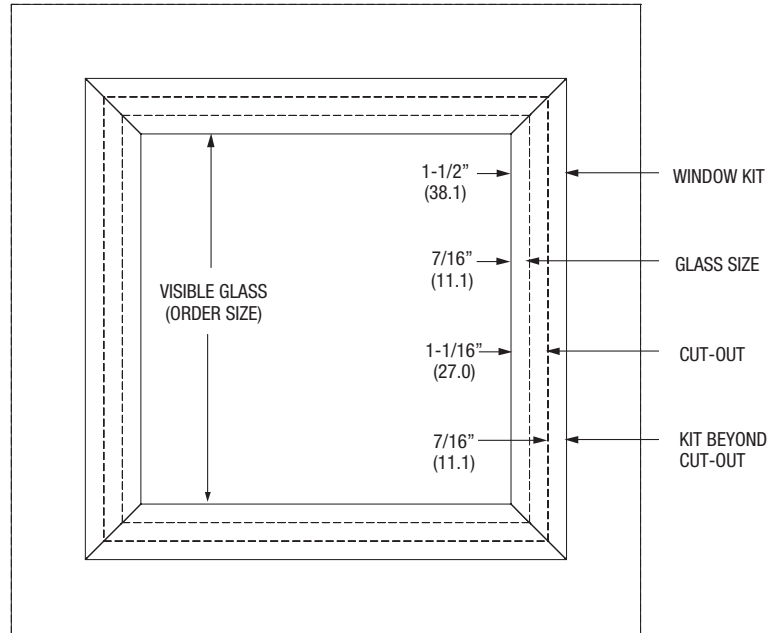
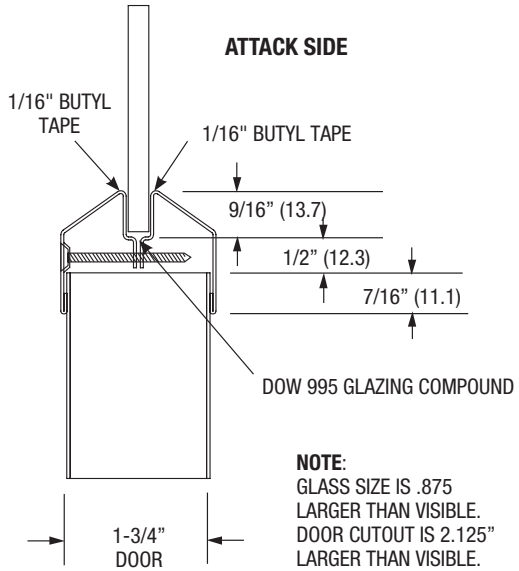
* GLASS AND GLAZING SHIPS FROM A SEPARATE LOCATION

ATTACK RESISTANT RETROFIT KITS MUST BE USED WITH THE ATTACK RESISTANT COMPONENT MATERIALS AS SUPPLIED: CURRIES DOOR KITS, SGG5 GLASS, APPROVED AND TESTED INSTALLATION COMPONENTS ONLY - NO SUBSTITUTIONS.

CURRIES AND SCHOOL GUARD GLASS ARE COMMITTED TO PROVIDING THE SAFEST AND MOST ROBUST MEANS AND METHODS FOR ATTACHMENT INTO COMPLETE FACTORY INSTALLED OEM ATTACK RESISTANT ASSEMBLIES AS WELL AS THE REPAIR, PARTIAL REPLACEMENT OR ENHANCEMENT OF EXISTING DOORS AND FRAMES. WE HAVE INDEPENDENT TESTING PARTIES REGULARLY TEST OUR INSTALLATION PROCEDURES AND PRODUCTS AS WELL AS THE FRAMES AND GLASS IT IS INSTALLED INTO. HOWEVER, PLEASE BE ADVISED THAT IT IS POSSIBLE THAT NOT ALL EXISTING DOORS, FRAMES, OR HARDWARE ON YOUR PROJECT HAVE BEEN TESTED TO OUR STANDARDS. FURTHERMORE, IF DOORS, WINDOWS OR HARDWARE ARE OLD, OF INFERIOR QUALITY, BROKEN OR PARTIALLY BROKEN, THEN THEY MAY NOT MEET THE TESTING OUTCOMES THAT NEW MATERIALS MEET. OUR PRODUCTS WILL NOT CAUSE YOUR EXISTING PRODUCTS TO BE LESS SECURE, BUT EXISTING PRODUCTS THAT ARE DEFECTIVE MAY REDUCE THE ABILITY OF OUR PRODUCTS TO MEET THEIR FULL POTENTIAL.

Experience a safer
and more open world

**Attack Resistant Retrofit Kit Type 10
 for Existing Wood Doors**



| TYPE 10 WOOD DOOR | VISIBLE GLASS SIZE | CUTOUT SIZE | PART NUMBER |
|--|--------------------|------------------|-------------|
| ARKWV | 10 X 10 | 12-1/8 x 12-1/8 | CD137632 |
| ARKWV1212 | 12 X 12 | 14-1/8 x 14-1/8 | CD138472 |
| ARKWNV616 | 6 X 16 | 8-1/8 x 18-1/8 | CD139202 |
| ARKWNV636 | 6 X 36 | 8-1/8 x 38-1/8 | CD140012 |
| ARKWNV333 | 3 X 33 | 5-1/8 x 35-1/8 | CD142412 |
| ARKWNV424 | 4 X 24 | 6-1/8 x 26-1/8 | CD143242 |
| ARKWNV520 | 5 X 20 | 7-1/8 x 22-1/8 | CD144072 |
| ARKWNV624 | 6 X 24 | 8-1/8 x 26-1/8 | CD144802 |
| ARKWNV630 | 6 X 30 | 8-1/8 x 32-1/8 | CD145632 |
| ARKWNV425 | 4 X 25 | 6-1/8 x 27-1/8 | CD146472 |
| ARKWHG (3068) | 23 5/16 X 27-1/4 | 25-7/16 x 29-3/8 | CD147202 |
| ARKWHG (3070) | 23 5/16 X 31-1/4 | 25-7/16 x 33-3/8 | CD148032 |
| ARKWHG (3072) | 23 5/16 X 33-1/4 | 25-7/16 x 35-3/8 | CD148862 |
| ARKWC Custom Size Retro-Fit kits are priced per Sq. Ft. of visible glass (3 sq ft min.) | | | |

- ATTACK RESISTANT RETROFIT KIT INCLUDES:
- TYPE 10 LIGHT KIT FOR EXISTING WOOD DOORS
 - SCHOOL GUARD GLASS SG5 ATTACK RESISTANT GLASS*
 - DOW 995 SILICONE GLAZING COMPOUND*
 - TREMCO 440 BUTYL TAPE TO BE APPLIED TO THE GLASS KIT INTERIOR AND EXTERIOR SIDES*

* GLASS AND GLAZING SHIPS FROM A SEPARATE LOCATION

ATTACK RESISTANT RETROFIT KITS MUST BE USED WITH THE ATTACK RESISTANT COMPONENT MATERIALS AS SUPPLIED: CURRIES DOOR KITS, SGG5 GLASS, APPROVED AND TESTED INSTALLATION COMPONENTS ONLY - NO SUBSTITUTIONS.

CURRIES AND SCHOOL GUARD GLASS ARE COMMITTED TO PROVIDING THE SAFEST AND MOST ROBUST MEANS AND METHODS FOR ATTACHMENT INTO COMPLETE FACTORY INSTALLED OEM ATTACK RESISTANT ASSEMBLIES AS WELL AS THE REPAIR, PARTIAL REPLACEMENT OR ENHANCEMENT OF EXISTING DOORS AND FRAMES. WE HAVE INDEPENDENT TESTING PARTIES REGULARLY TEST OUR INSTALLATION PROCEDURES AND PRODUCTS AS WELL AS THE FRAMES AND GLASS IT IS INSTALLED INTO. HOWEVER, PLEASE BE ADVISED THAT IT IS POSSIBLE THAT NOT ALL EXISTING DOORS, FRAMES, OR HARDWARE ON YOUR PROJECT HAVE BEEN TESTED TO OUR STANDARDS. FURTHERMORE, IF DOORS, WINDOWS OR HARDWARE ARE OLD, OF INFERIOR QUALITY, BROKEN OR PARTIALLY BROKEN, THEN THEY MAY NOT MEET THE TESTING OUTCOMES THAT NEW MATERIALS MEET. OUR PRODUCTS WILL NOT CAUSE YOUR EXISTING PRODUCTS TO BE LESS SECURE, BUT EXISTING PRODUCTS THAT ARE DEFECTIVE MAY REDUCE THE ABILITY OF OUR PRODUCTS TO MEET THEIR FULL POTENTIAL.

January, 2019



ATTACK RESISTANT SG5 GLASS FOR EXISTING SIDELIGHTS AND BORROWED LIGHTS INCLUDES:

- SCHOOL GUARD GLASS SG5 ATTACK RESISTANT GLASS*
- DOW 995 SILICONE GLAZING COMPOUND AND TREMCO 440 BUTYL TAPE SHIPPED WITH THE GLASS

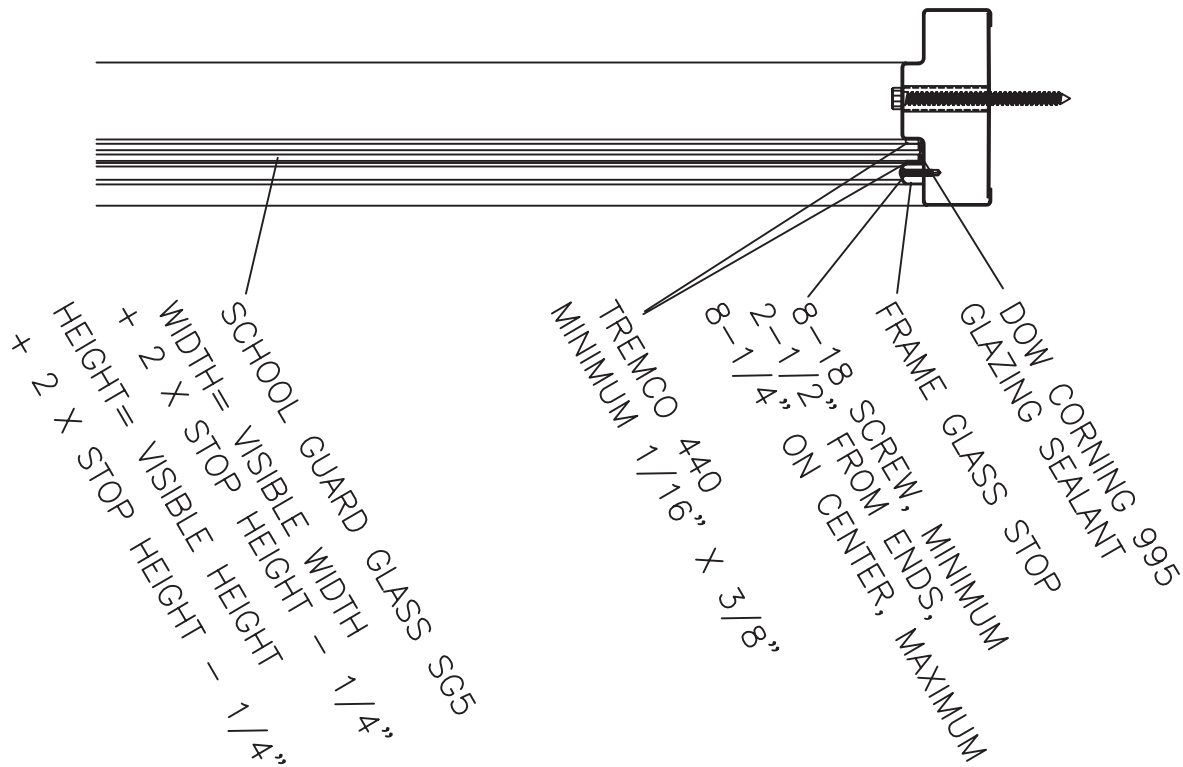
SIDLIGHT GLASS SIZE:

- 6" X 10" - 24" X 92.75"

BORROWED LIGHT GLASS SIZE:

- 3" X 10" - 24" X 92-3/4" GLASS HORIZONTAL ORIENTED
- 3" X 10" - 35-13/16" X 44" GLASS VERTICAL ORIENTED

CUSTOM SIZES AVAILABLE (3 SQ. FT. MIN.)



ATTACK RESISTANT RETROFIT KITS MUST BE USED WITH THE ATTACK RESISTANT COMPONENT MATERIALS AS SUPPLIED: CURRIES DOOR KITS, SGG5 GLASS, APPROVED AND TESTED INSTALLATION COMPONENTS ONLY - NO SUBSTITUTIONS.

CURRIES AND SCHOOL GUARD GLASS ARE COMMITTED TO PROVIDING THE SAFEST AND MOST ROBUST MEANS AND METHODS FOR ATTACHMENT INTO COMPLETE FACTORY INSTALLED OEM ATTACK RESISTANT ASSEMBLIES AS WELL AS THE REPAIR, PARTIAL REPLACEMENT OR ENHANCEMENT OF EXISTING DOORS AND FRAMES. WE HAVE INDEPENDENT TESTING PARTIES REGULARLY TEST OUR INSTALLATION PROCEDURES AND PRODUCTS AS WELL AS THE FRAMES AND GLASS IT IS INSTALLED INTO. HOWEVER, PLEASE BE ADVISED THAT IT IS POSSIBLE THAT NOT ALL EXISTING DOORS, FRAMES, OR HARDWARE ON YOUR PROJECT HAVE BEEN TESTED TO OUR STANDARDS. FURTHERMORE, IF DOORS, WINDOWS OR HARDWARE ARE OLD, OF INFERIOR QUALITY, BROKEN OR PARTIALLY BROKEN, THEN THEY MAY NOT MEET THE TESTING OUTCOMES THAT NEW MATERIALS MEET. OUR PRODUCTS WILL NOT CAUSE YOUR EXISTING PRODUCTS TO BE LESS SECURE, BUT EXISTING PRODUCTS THAT ARE DEFECTIVE MAY REDUCE THE ABILITY OF OUR PRODUCTS TO MEET THEIR FULL POTENTIAL.