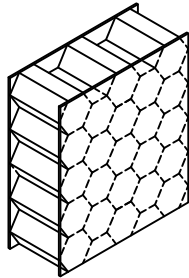


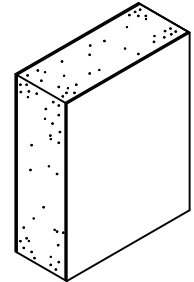
ASSA ABLOY

**1-3/4" ATTACK RESISTANT REGENT,
LEGION or IMPERIAL NON-FIRE RATED DOORS**

Passed 3rd party testing at H.P.White Laboratory Inc. Tested to 5aa10 - certification standards for reinforcing & testing of standard wood & hollow metal doors, frames & hardware for 4 minute attack.



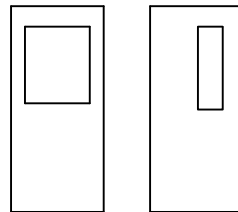
GLAZED STEEL DOORS ONLY
BEVELED LOCK EDGE , HANDED - INSWING OR OUTSWING



*Suggested Use: Interior or Exterior ...
Classrooms K-12, Executive Office, Guard Houses,
Control Rooms, Mission Critical Buildings, University,
Healthcare, Government & Municipality.*

DOOR DESIGNS

*Regent with fiber honeycomb core,
bonded to the inside of both
face sheets with a water
resistant, contact adhesive.*



*Legion with polystyrene slab,
bonded to the inside of both face
sheets with a waterproof, contact
adhesive or Imperial with foamed-
in-place polyurethane chemically
bonded to interior surfaces.*

(see glass limits below)

SCHOOL GUARD NON-FIRE RATED GLASS SG5™
IS A SCRATCH RESISTANT LAMINATED
PRODUCT CONSISTING OF GLASS WITH A
CUSTOM SECURITY HEAT STRENGTHENED,
CHEMICALLY BONDED CORE.



GLASS WEIGHT = 4.6 LBS PER SQ. FT.

GLASS COMPLIES WITH:
ASTM C1036
ASTM C1172
ANSI Z97.1
UL 972

- Attack resistant laminated glass to be factory installed in doors.
- Surface mounted closers only when closer is attached to door.
- 4881 flush kit only in Regent & Legion doors & Type 2 kit in Imperial doors.
- 16 gage doors only, with minimum 16 gage SU, SQ, SR, BU, BR & BQ frames only.
- Frame depths 5-3/4" thru 14". KD or welded 3 sided frames.
- Welded sidelite and borrowed lite frames.
- Min. 4-1/2" x 4-1/2" mortised butt hinges and Steel continuous hinges are optional.
- Min. glass width 3", max width 35-13/16" in doors. Min. stile width 6" to visible glass.
- Min. glass height 10", max height 44" in doors. 7-3/4" top rail to visible glass.
- Door opening sizes 2'8" x 6'8" thru 4'0" x 8'0"
- Tested with Sargent 8200 series mortise lock with latch bolt, dead bolt function, LS escutcheon & lever trim. Limited to functions 8224, 8225, 8226, 8227, 8235, 8239, 8240, 8241, 8243, 8245, 8246, 8247, 8248, 8248, 8249, 8250, 8251, 8252, 8266 & 8268.
- *Corbin Russwin ML2000 series mortise lock with latchbolt, deadbolt function & VR escutcheon & lever trim. Limited to functions ML2020, ML2022, ML2024, ML2029, ML2030, ML2048, ML2065, ML2067, ML2072, ML2073, ML2075, ML2082 & ML2092.
- *Yale 8800 series mortise lock with latch bolt, dead bolt function, SL escutcheon & lever trim. Limited to functions SL8802, SL8811, SL8812, SL8817, SL8818, SL8822, SL8823, SL8827, SL8830, SL8831, SL8832, SL8840, SL8847, SL8860 & SL8861.
- Door position switches, electric hinges, overhead concealed closers/holders in frames, hold opens (magnetic holders, not magnetic locks) may be used.
- 18 gage minimum top & bottom caps are optional.

*Equivalent hardware not tested

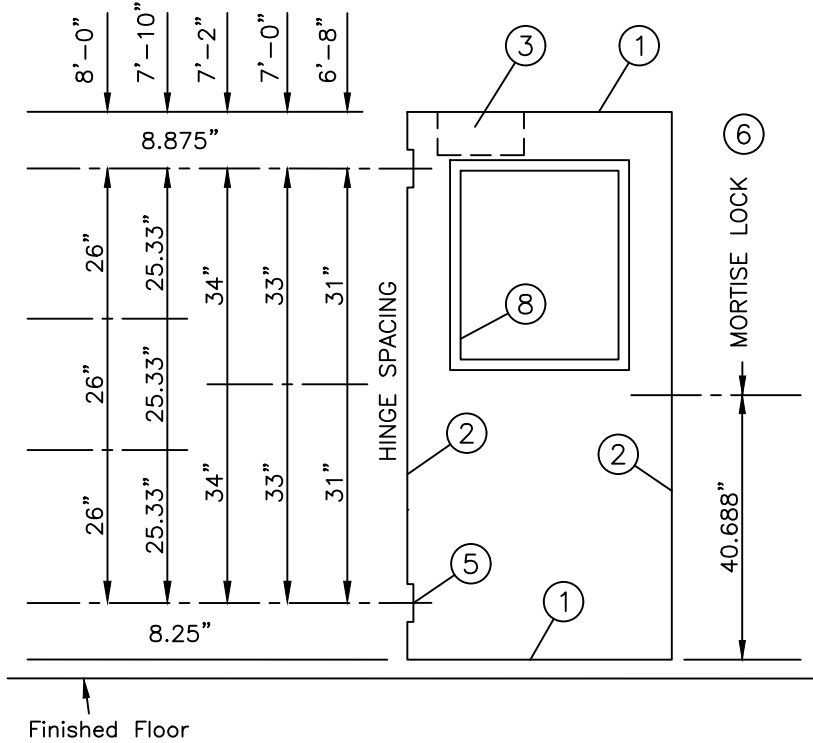
**NOTE: SEE PAGES D24-7 THRU D24-12 FOR FIRE
RATED ATTACK RESISTANT DOORS AND FRAMES.**

D24-1

10/17/19

D24-2

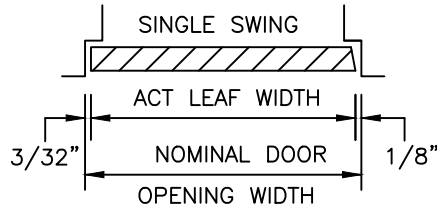
Hardware locations shown match Ceco standard frames.



DOOR ELEVATION

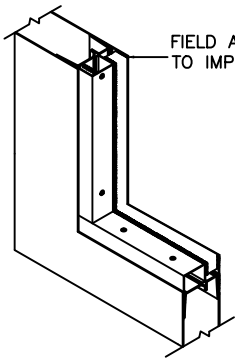


VERTICAL SECTION



HORIZONTAL SECTION

(Conversion: 1" = 25.4 mm, e.g., 1-3/4" = 44.45 mm)



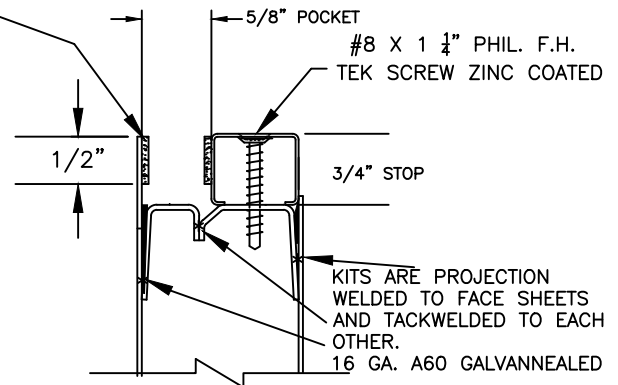
FIELD APPLIED CAULK IS RECOMMENDED ON THIS SEAM TO IMPROVE ESTHETICS AND RESIST WATER INTRUSION.



NON-FIRE RATED SG5™

GLASS SURFACE IS SCRATCH RESISTANT.
GLASS COMPLIES WITH: UL 972,
ASTM C1036, ASTM C1172 & ANSI Z97.1
ATTACK RESISTANT GLASS IS INSTALLED
AT THE FACTORY.

⑧ 4881
FLUSH KIT
FOR REGENT &
LEGION DOORS



10/17/19



ASSA ABLOY

Experience a safer
and more open world

TECH-DATA

NON-FIRE RATED ATTACK RESISTANT

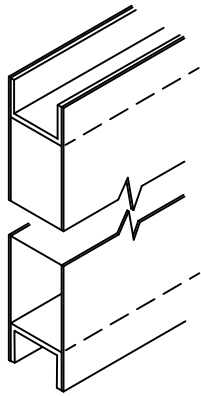
D24-3

16 GAGE STEEL END CHANNELS

WELDED TO BOTH FACE SHEETS

INVERTED TOP AND BOTTOM

OPTIONAL TOP AND BOTTOM CAPS ARE AVAILABLE

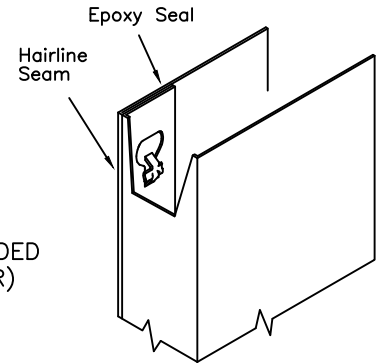


①

VERTICAL EDGES

MECHANICALLY INTERLOCKED HEMMED EDGES

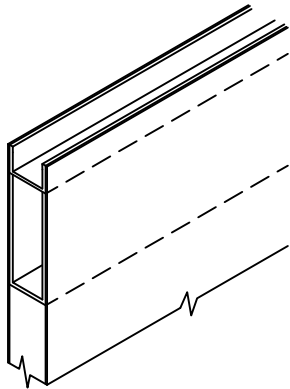
ALSO AVAILABLE SEAMLESS (WELDED OR BODY FILLER)



②

CLOSER REINFORCEMENT (OPTIONAL)

14 GAGE STEEL CHANNEL 20" LONG

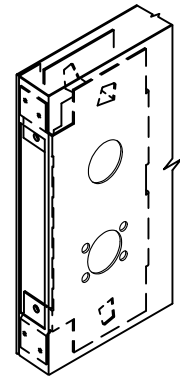


③

LOCK EDGE IS BEVELED 1/8" in 2" (1:16)

LOCK PREPARATION ANSI/BHMA A115.1 MORTISE TYPE

(LM2) 2-3/4" BACKSET FOR SARGENT 8200 SERIES WITH LATCH BOLT, DEAD BOLT & LS ESCUTCHEON



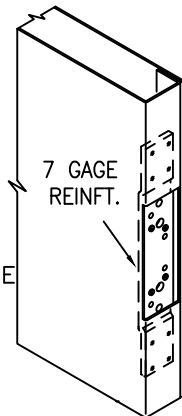
⑥

HINGE PREPARATION

4-1/2 OR 5 IN. HIGH, STANDARD OR HEAVY WEIGHT, FULL MORTISE HINGES

OPTIONAL: STEEL CONTINUOUS HINGE

HINGE EDGE IS HANDED AND NOT BEVELED.

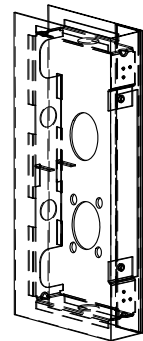


ANSI A156.7 TEMPLATE

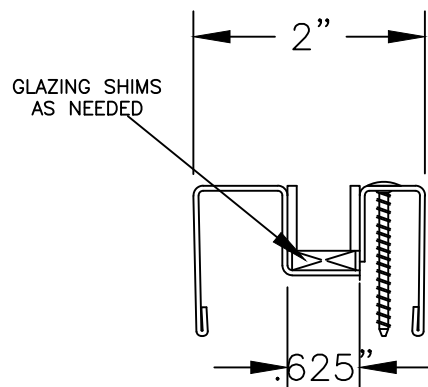
⑤

(LM2) 2-3/4" BACKSET FOR SARGENT 8200 SERIES WITH LATCH BOLT, DEAD BOLT & LS ESCUTCHEON

LOCK FUNCTION HOLES ARE PREPARED AT THE FACTORY.



NOTE: EITHER OF THE LOCK REINFORCEMENTS/GUARDS SHOWN MAY BE INSTALLED WITH ANY MORTISE LOCK PREPARATION.

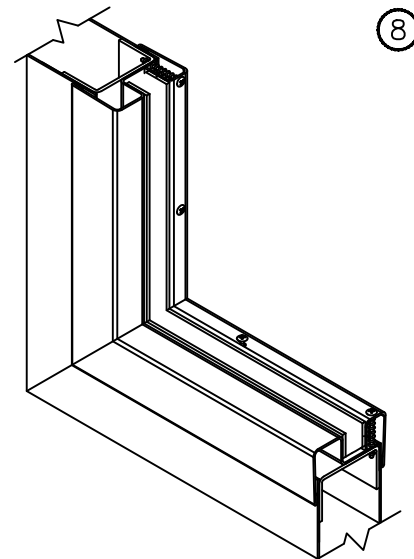


- 18 GA. (.043) MIN. TYPE 2 VISION LIGHT KIT
- FOR USE IN IMPERIAL DOORS



NON-FIRE RATED SG5™

GLASS SURFACE IS SCRATCH RESISTANT.
GLASS COMPLIES WITH: UL 972, ASTM C1036, ASTM C1172 & ANSI Z97.1
ATTACK RESISTANT GLASS IS INSTALLED AT THE FACTORY.



⑧

10/17/19

CecoDoor

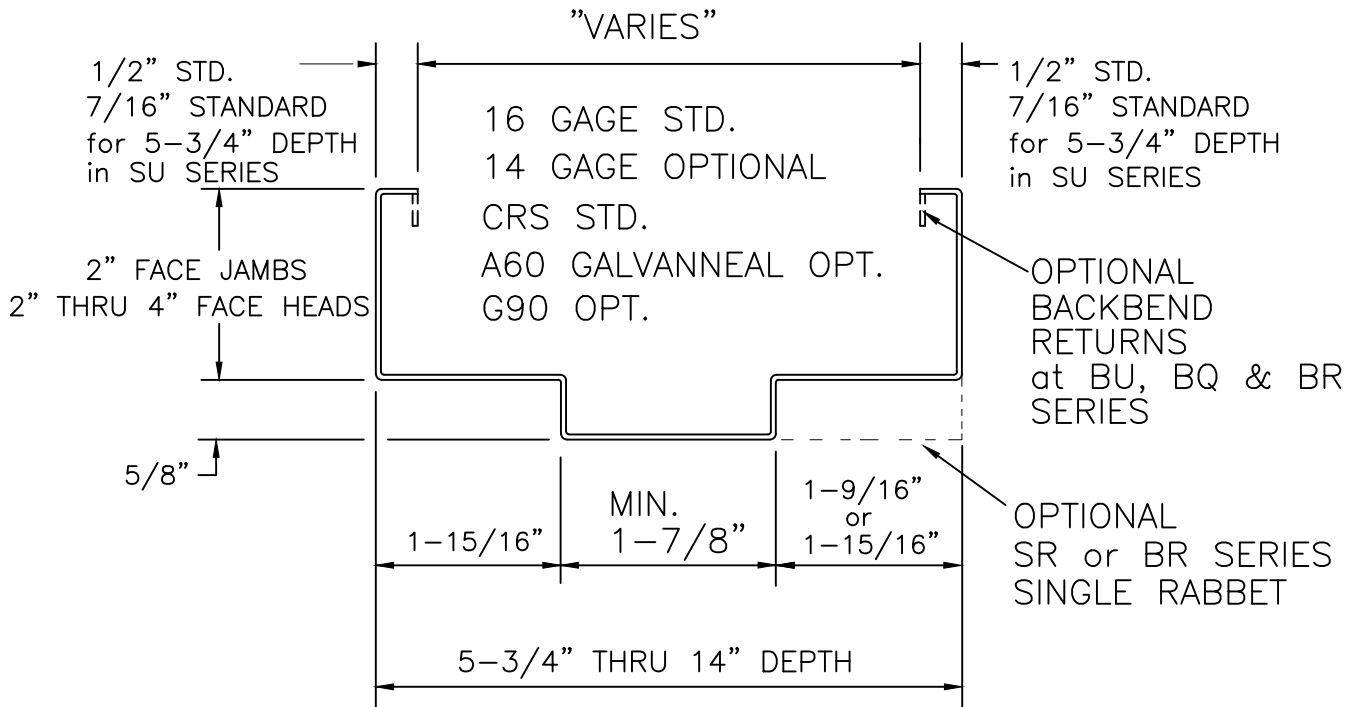
ASSA ABLOY

Experience a safer and more open world

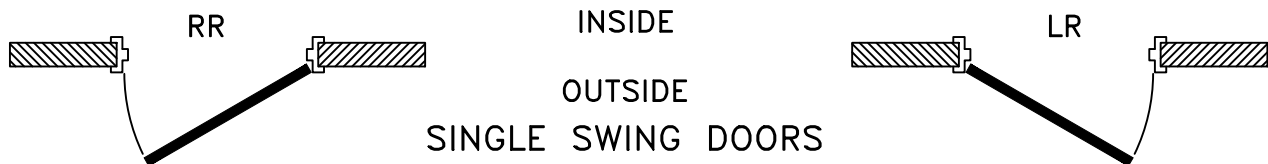
(Conversion: 1" = 25.4 mm, e.g., 1-3/4" = 44.45 mm)

SERIES SU, SQ, SR, BU, BQ & BR STEEL FRAMES

FOR 1-3/4" THICK DOORS
STANDARD WALL APPLICATION, HANDED
INSWING OR OUTSWING

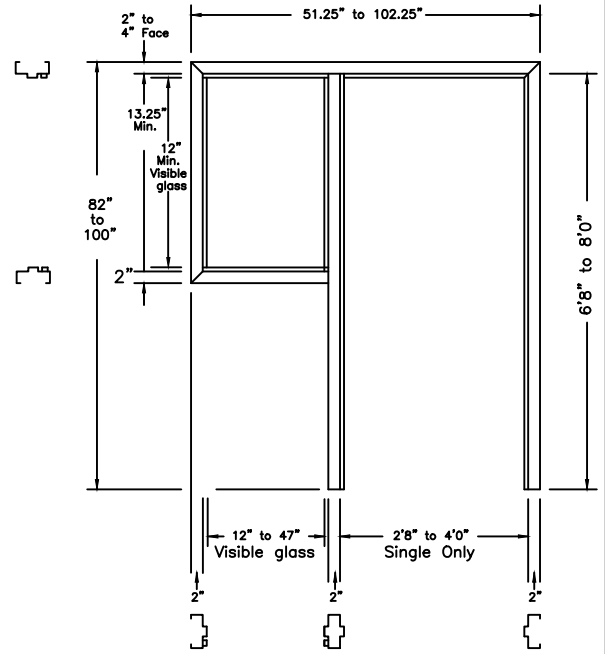
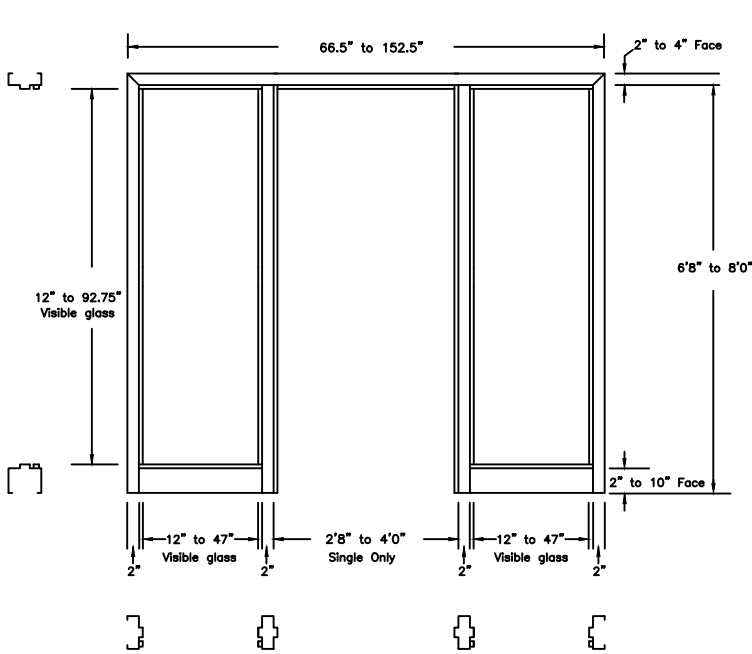


- KD or WELDED CORNERS 3 SIDED DOOR FRAMES, WELDED SIDELITES & BORROWED LITES.
- 4-1/2" X 4-1/2" OR 5" STANDARD OR HEAVY WEIGHT MORTISED BUTT HINGES
- STEEL CONTINUOUS HINGES ARE OPTIONAL
- STD. ANSI 4-7/8" STRIKE ONLY.
- HOSPITAL STOPS NOT AVAILABLE
- WELDED WOOD STUD, STEEL STUD, EXISTING OPENING, YOKE & STRAP and FLOOR ANCHORS ARE AVAILABLE AS ANCHOR OPTIONS.
- DOOR POSITION SWITCHES, ELECTRIC HINGES, OVERHEAD CONCEALED HOLDERS/CLOSERS, AND HOLD OPENS ARE OPTIONAL.
- SURFACE MOUNTED CLOSERS ALLOWED WHEN CLOSER BODY IS ATTACHED TO DOOR.
- MAG LOCKS AND ELECTRIC STRIKES ARE NOT AVAILABLE.
- TRANSOM OR COMBINATION OF SIDELITE AND TRANSOM FRAMES ARE NOT AVAILABLE.



ASSA ABLOY

D24-5



SIDELITE FRAMES:

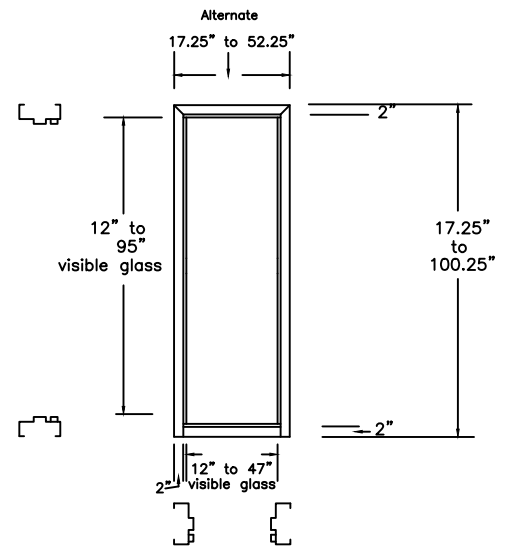
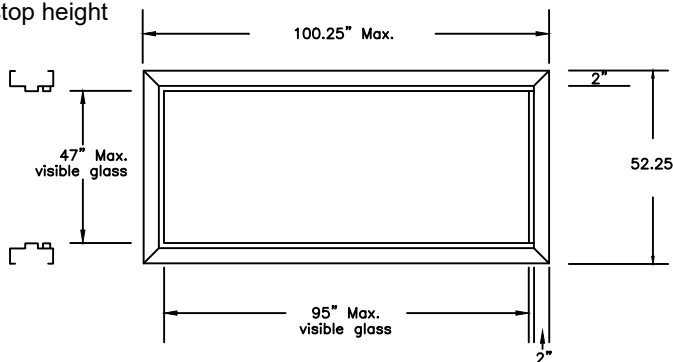
- Welded units only available in SQ, SU, SR, BQ, BU or BR frame profiles.
- Frame depths range from 5-3/4" minimum to 14" maximum
- Minimum overall width of a single door & double sidelite is 66-1/2"
- 2" face horizontal and/or vertical mullions are optional.
- 5/8" minimum stop height
- 12 gage x 2" sill bracing strap to be applied to sills on faces greater than 4" and sill is longer than 24". Located 24" on center max.
- (2) 12 gage x 2" bracing straps to be applied to sills on faces greater than 9" and sill is longer than 24". Located 24" on center max.



NON-FIRE RATED SG5™

BORROWED LITE FRAMES:

- Welded units only available in SQ, SU, SR, BQ, BU or BR frame profiles.
- Frame depths range from 5-3/4" minimum to 14" maximum
- Visible glass width of 95" max. available when visible glass height does not exceed 47".
- 2" face horizontal and/or vertical mullions are optional.
- 5/8" minimum stop height



GLASS AND GLAZING NOTES:

- School Guard non-fire rated 1/2" nominal thick SG5™ scratch resistant laminated glass consisting of glass with a custom security heat strengthened, chemically bonded core is shipped loose for field installation by others.
- Tremco 440 glazing tape, Dow Corning 995 silicone glazing caulk, 1/16" or 1/8" foam tape and installation instructions will be shipped with SG5™ glass.
- Setting blocks and cap bead caulk are provided by glass installer.
- Removable glass stop to be installed on attack side of frames.
- Glass complies with: ASTM C1036, ASTM C1172, ANSI Z97.1 & UL 972
- Glass weight = 4.6 lbs. per sq.foot

10/17/19

ASSA ABLOY

D24-6

**STANDARD SIZES
NOMINAL DOOR OPENING**

WIDTH	HEIGHT
SINGLE	
2'-8"	6'-8" 7'-0" 7'-2" 7'-10" 8'-0"
2'-10"	
3'-0"	
3'-4"	
3'-6"	
3'-8"	
3'-10"	
4'-0"	

PAIRS

NOT AVAILABLE

FIRE DOORS

SEE PAGES D24-7 THRU D24-12 FOR FIRE RATED DOORS AND FRAMES

PRODUCT SPECIFICATIONS:

1-3/4" Thick steel doors and frames shall be as manufactured by Ceco Door Products. Doors and frames shall conform to the Steel Door Institute guide specification, ANSI A250.8; see chart below for performance classifications.

NON-FIRE RATED ATTACK RESISTANT doors are made full-flush or (optional) seamless style. Face sheets are commercial quality cold rolled steel conforming to ASTM A1008 ...or (optional) hot-dipped galvanized or galvanized steel conforming to ASTM A924 and A653 -- see chart below. Doors have mechanically interlocked, hemmed, hairline seams on vertical edges and have no visible seams on faces. Doors specified "seamless" have no visible seams on faces or vertical edges (S.D.I. Model 2).

A one piece, kraft honeycomb or polystyrene core is securely bonded to both face sheets under pressure with contact adhesive. Foamed-in-place polyurethane chemically bonded to interior surfaces is also available. The top and bottom door edges are closed with 16 gage steel channels welded to both face sheets.

Doors are provided with factory installed non-fire rated attack resistant glass. Attack resistant School Guard Glass SG5™ is a scratch resistant laminated product consisting of glass with a custom security heat strengthened, chemically bonded core. Complies with ASTM C1036, ASTM C1172, ANSI Z97.1 & UL 972.

NON-FIRE RATED ATTACK RESISTANT frames for 1-3/4" doors & borrowed lite frames are formed from commercial quality cold rolled steel conforming to ASTM A1008...or (optional) hot-dipped galvanized steel conforming to ASTM A924 and A653 – see chart below. 3 sided door frames are knocked down (K.D.) field assembled type or welded type. Head and jamb members of K.D. frames have diecut mitered corners that interlock rigidly when field assembled. Welded-in jamb anchors are required. Sidelite and borrowed lite frames have welded construction. Attack resistant laminated SG5™ glass, Tremco 440 glazing tape and Dow Corning 995 silicone glazing compound is shipped loose for field installation in frame.

Hardware Provisions: Hinge preparations are handed. Door hinge edges are mortised for 4-1/2" or 5" high, standard and heavy weight hinges (specify which). 7 gage steel hinge reinforcements are welded inside the door edge and frame jamb and are drilled and tapped for fasteners in accordance with ANSI A156.7. The lock edge has a standard bevel (1:16) and is prepared for a Sargent 8200 series mortise lock with latch bolt, dead bolt function and LS escutcheon or Corbin Russwin series mortise lock with latch bolt, deadbolt function and VR escutcheon or Yale 8800 series mortise lock with latch bolt, deadbolt function and SL escutcheon. Optional surface mounted closer reinforcement is 14 gage steel inside door and frame head. Plaster guards are provided at frame hinge and strike preps. The strike jamb is prepared for 4-7/8" universal strike in accordance with ANSI A115.1.

Paint: 1-3/4" steel doors and frames shall be provided with one coat of oven-cured neutral color primer paint. Primer coat shall conform with ANSI A250.10. The primer coat is a preparatory base for necessary finish

MATERIAL

DOOR FACE SHEETS	LEVEL	C.R.	GALV		RECOMMENDED DOOR FRAME MATERIAL
			A60	G90	
16 Gage Steel	Extra Heavy Duty	STD	OPT	OPT	16 or 14 Gage Steel
DOOR FRAME MATERIAL	LEVEL				
16 Gage Steel	Extra Heavy Duty	STD	OPT	OPT	
14 Gage Steel	Maximum Duty	STD	OPT	OPT	

PERFORMANCE

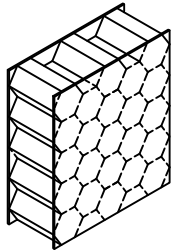
Physical Endurance /Level:	Meets ANSI A250.4 Performance Test, 16 Gage Doors, 16 & 14 Gage Frames: Level A (1,000,000 Cycles)
----------------------------	--

10/17/19

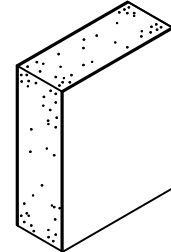
ASSA ABLOY

1-3/4" WARNOCK HERSEY FIRE RATED ATTACK RESISTANT POLYSTYRENE, HONEYCOMB OR POLYURETHANE SLAB CORE DOORS

Passed 3rd party testing at H.P.White Laboratory Inc. Tested to 5aa10 - certification standards for reinforcing & testing of standard wood & hollow metal doors, frames & hardware for 4 minute attack.

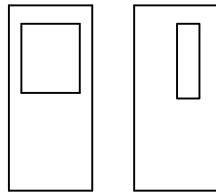


**GLAZED STEEL DOORS ONLY
BEVELED LOCK EDGE , HANDED - INSWING OR OUTSWING**



*Suggested Use: Interior or Exterior ...
Classrooms K-12, Executive Office, Guard Houses,
Control Rooms, Mission Critical Buildings, University,
Healthcare, Government & Municipality.*

DOOR DESIGNS



(see glass limits below)

*Polystyrene, Honeycomb or Polyurethane slab,
bonded to the inside of both face sheets with a
waterproof, contact adhesive.*



SCHOOL GUARD SG5FR FIRE RATED GLASS

20 MIN. - 45 MIN. GLASS WEIGHT: 1.25" thick = 13.82 lbs. per sq. ft.	GLASS COMPLIES WITH:
60 MIN. - GLASS WEIGHT: 1.41" thick = 15.46 lbs. per sq. ft.	ANSI Z97.1
90 MIN. - GLASS WEIGHT: 1.96" thick = 22.21 lbs. per sq. ft.	UL 972
	UL10C, UL10B & UL9

- Fire Rated Attack resistant laminated glass to be factory installed in doors.
- Surface mounted closers only when closer is attached to door.
- Type 8 glass lite kit
- 16 gage doors (14 gage optional), with minimum 16 gage SU, SQ, SR, BU, BR & BQ frames only.
- Frame depths 5-3/4" thru 14". KD or welded 3 sided frames.
- Welded sidelite and borrowed lite frames.
- Min. 4-1/2" x 4-1/2" mortised butt hinges and Steel continuous hinges are optional.
- Min. glass width 3", max width 35-13/16" in doors. Min. stile width 6" to visible glass.
- Min. glass height 10", max height 44" in doors. Min. 7-3/4" top rail to visible glass.
- Door opening sizes 2'8" x 6'8" thru 4'0" x 8'0" singles only
- Tested with Sargent 8200 series mortise lock with latch bolt, dead bolt function, LS escutcheon & lever trim. Limited to functions 8224, 8225, 8226, 8227, 8235, 8239, 8240, 8241, 8243, 8245, 8246, 8247, 8248, 8248, 8249, 8250, 8251, 8252, 8266 & 8268.
- *Corbin Russwin ML2000 series mortise lock with latchbolt, deadbolt function & VR escutcheon & lever trim. Limited to functions ML2020, ML2022, ML2024, ML2029, ML2030, ML2048, ML2065, ML2067, ML2072, ML2073, ML2075, ML2082 & ML2092.
- *Yale 8800 series mortise lock with latch bolt, dead bolt function, SL escutcheon & lever trim. Limited to functions SL8802, SL8811, SL8812, SL8817, SL8818, SL8822, SL8823, SL8827, SL8830, SL8831, SL8832, SL8840, SL8847, SL8860 & SL8861.
- Door position switches, electric hinges, overhead concealed closers/holders in frames, hold opens (magnetic holders, not magnetic locks) may be used.
- 18 gage minimum top & bottom caps are optional.

*Equivalent hardware not tested

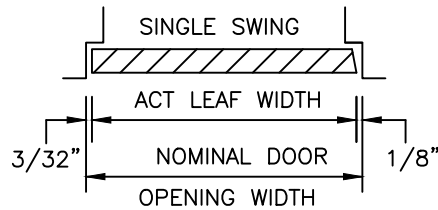
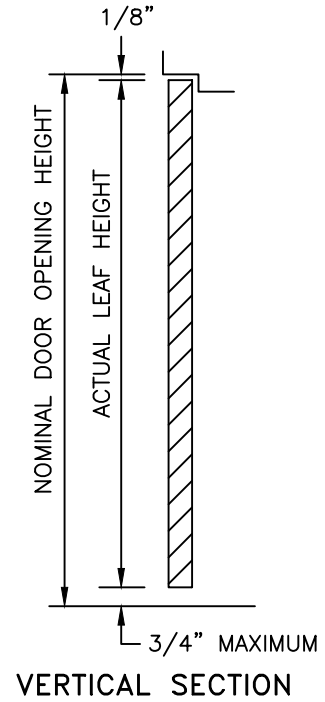
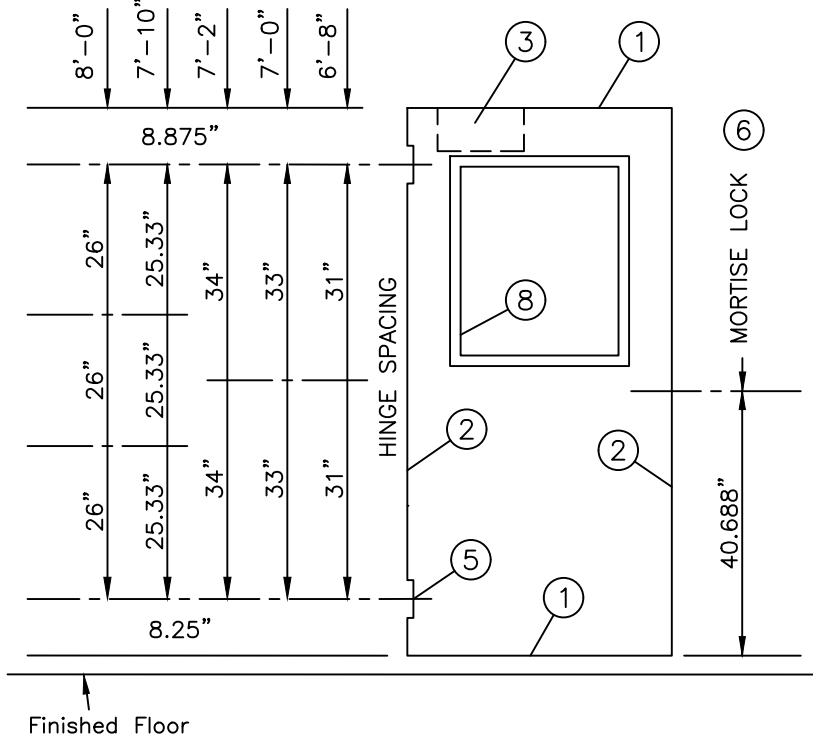
NOTE: SEE PAGES D24-7 THRU D24-11 FOR FIRE RATED ATTACK RESISTANT DOORS AND FRAMES.

D24-7

10/17/19

D24-8

Hardware locations shown match Ceco standard frames.



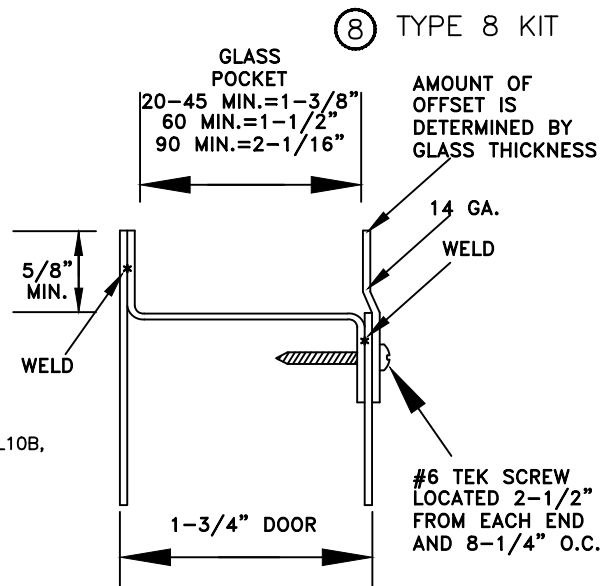
(Conversion: 1" = 25.4 mm, e.g., 1-3/4" = 44.45 mm)



FIRE RATED SG5FR GLASS

GLASS COMPLIES WITH: UL 972, UL10C & UL10B, ANSI Z97.1

FIRE RATED ATTACK RESISTANT GLASS IS INSTALLED AT THE FACTORY.



10/17/19



ASSA ABLOY

TECH-DATA

WARNOCK HERSEY FIRE RATED ATTACK RESISTANT

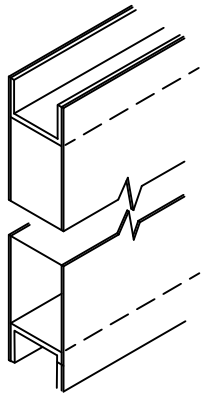
D24-9

16 GAGE STEEL END CHANNELS

WELDED TO BOTH FACE SHEETS 3" FROM EACH END & 6" ON CENTER

INVERTED TOP AND BOTTOM CHANNELS

OPTIONAL 18 GA. MIN. TOP & BOTTOM CAPS ARE AVAILABLE



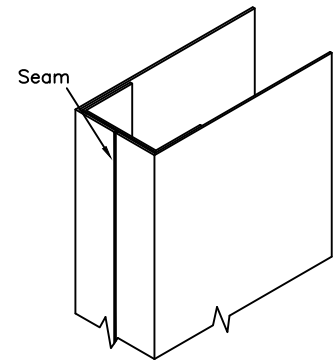
①

VERTICAL EDGES

VISIBLE EDGE SEAM WITH INTERMITTENT SPOT WELDS.

SPOT WELDS ARE FILLED AND GROUND SMOOTH.

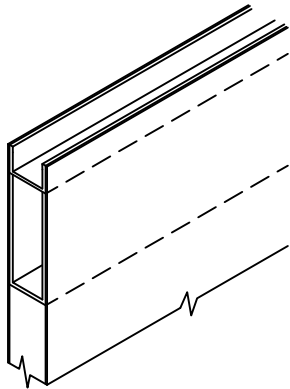
OPTIONAL SEAMLESS EDGES AVAILABLE



②

CLOSER REINFORCEMENT (OPTIONAL)

14 GAGE STEEL CHANNEL WELDED TO END CHANNEL



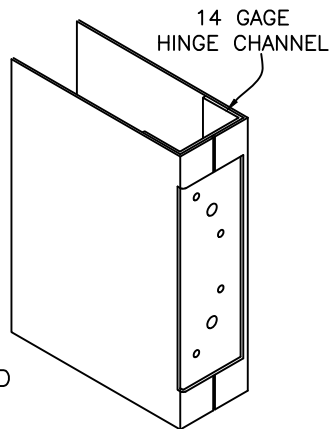
③

HINGE PREPARATION

4-1/2 OR 5 IN. HIGH, STANDARD OR HEAVY WEIGHT, FULL MORTISE HINGES

ANSI A156.7 TEMPLATE

HINGE EDGE IS HANDED AND NOT BEVELED.



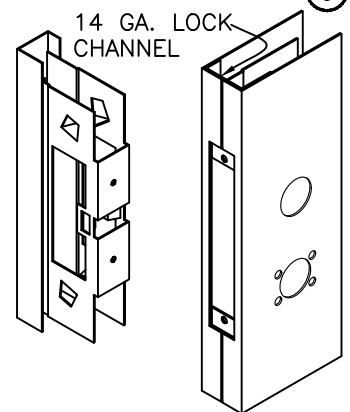
⑤

LOCK PREPARATION MORTISE TYPE

(LM2)

(ANSI/BHMA A115.1)
2-3/4" BACKSET FOR LOCKS SHOWN ON PAGE D24-7.

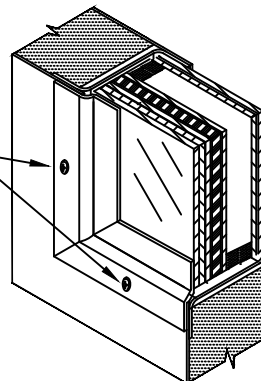
LOCK EDGE IS BEVELED
1/8" in 2" (1:16)



⑥

TYPE 8 GLAZING KIT

#6 x 1-1/4" TEK SCREWS



20-45 MIN.: 1-3/8" WIDE GLAZING POCKET

60 MIN.: 1-1/2" WIDE GLAZING POCKET

90 MIN.: 2-1/16" WIDE GLAZING POCKET

⑧

10/17/19

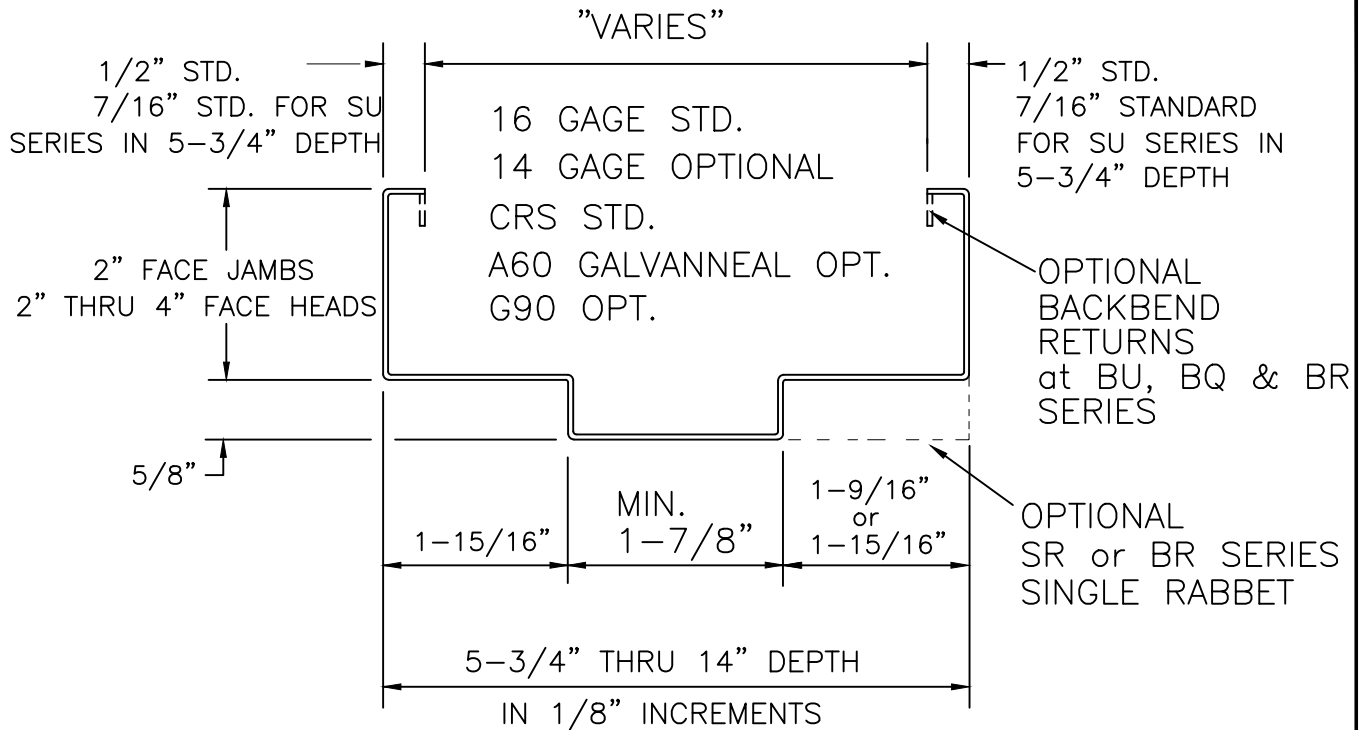


Experience a safer and more open world

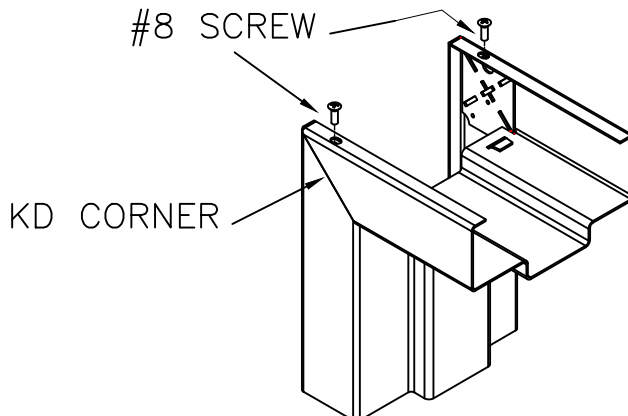
(Conversion: 1" = 25.4 mm, e.g., 1-3/4" = 44.45 mm)

SERIES SU, SQ, SR, BU, BQ & BR STEEL FRAMES

FOR 1-3/4" THICK DOORS
STANDARD WALL APPLICATION, HANDED



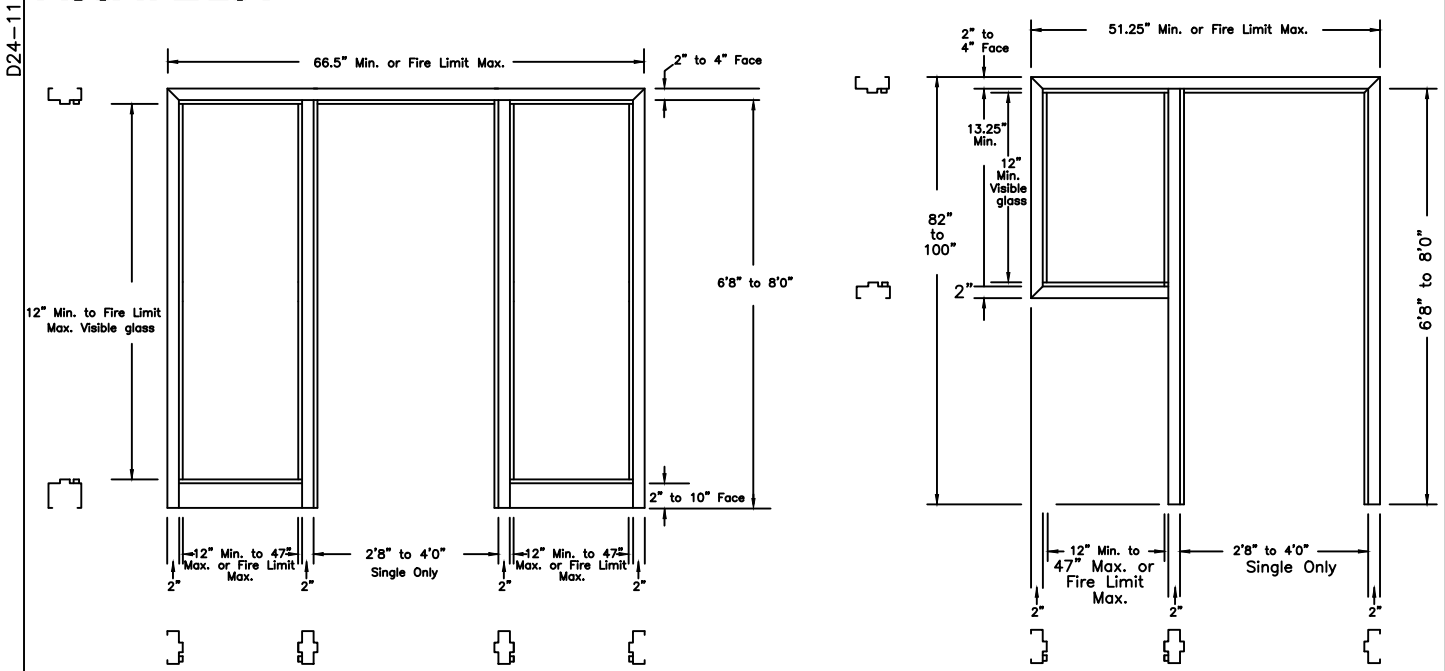
- WARNOCK HERSEY FIRE RATINGS AVAILABLE FROM 20 MIN. THRU 90 MIN.
- KD or WELDED CORNERS 3 SIDED DOOR FRAMES, WELDED SIDELITES & BORROWED LITES.
- 4-1/2" X 4-1/2" OR 5" STANDARD OR HEAVY WEIGHT MORTISED BUTT HINGES
- STEEL CONTINUOUS HINGES ARE OPTIONAL
- STD. ANSI 4-7/8" STRIKE ONLY.
- HOSPITAL STOPS NOT AVAILABLE
- WELDED WOOD STUD, STEEL STUD, EXISTING OPENING, YOKE & STRAP, MASONRY T and FLOOR ANCHORS ARE AVAILABLE AS ANCHOR OPTIONS.
- DOOR POSITION SWITCHES, ELECTRIC HINGES, OVERHEAD CONCEALED HOLDERS/CLOSERS, AND HOLD OPENS ARE OPTIONAL.
- SURFACE MOUNTED CLOSERS ALLOWED WHEN CLOSER BODY IS ATTACHED TO DOOR.
- MAG LOCKS AND ELECTRIC STRIKES ARE NOT AVAILABLE.
- TRANSOM OR COMBINATION OF SIDELITE AND TRANSOM FRAMES ARE NOT AVAILABLE.



D24-10

10/17/19

ASSA ABLOY



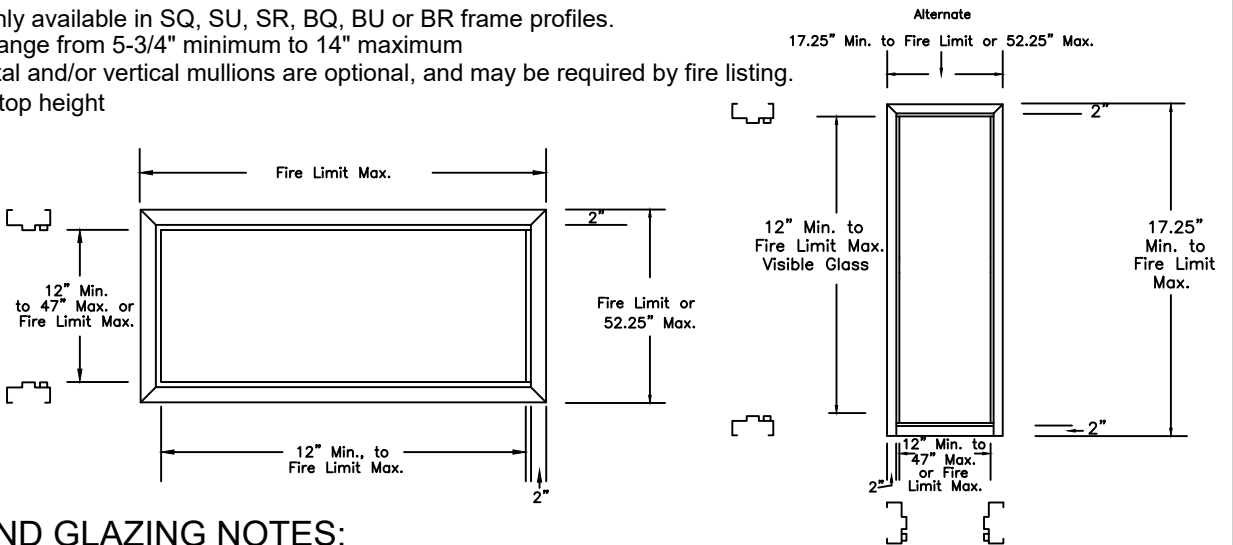
SIDELITE FRAMES: 20 MIN. THRU 90 MIN. FIRE PROTECTIVE



- Welded units only available in SQ, SU, SR, BQ, BU or BR frame profiles.
- Frame depths range from 5-3/4" minimum to 14" maximum
- 2" face horizontal and/or vertical mullions are optional, and may be required by fire listing.
- 5/8" minimum stop height

BORROWED LITE FRAMES: 20 MIN. THRU 90 MIN. FIRE PROTECTIVE

- Welded units only available in SQ, SU, SR, BQ, BU or BR frame profiles.
- Frame depths range from 5-3/4" minimum to 14" maximum
- 2" face horizontal and/or vertical mullions are optional, and may be required by fire listing.
- 5/8" minimum stop height



GLASS AND GLAZING NOTES:

- Warnock Hersey Fire Rated School Guard Glass SG5FR shipped loose for field installation by others.
- Tremco 440 glazing tape, Dow Corning 995 silicone glazing caulk, 1/16" or 1/8" foam tape and installation instructions will be shipped with SG5FR glass.
- Setting blocks and cap bead caulk are provided by glass installer.
- Removable glass stop to be installed on attack side of frames.
- Glass complies with: UL10C, UL10B, UL9 & ANSI Z97.1 & UL 972
- Glass weight: lbs. per sq.foot
 - 20-45 Min. - 1.25" thick = 13.82 lbs. per sq.foot
 - 60 Min. - 1.41" thick = 15.46 lbs. per sq.foot
 - 90 Min. - 1.96" thick = 22.21 lbs. per sq.foot

10/17/19

ASSA ABLOY

PRODUCT SPECIFICATIONS:

1-3/4" Thick steel doors and door frames shall be as provided by Ceco Door Products. Doors and frames shall conform to the Steel Door Institute guide specification, ANSI A250.8; see chart below for performance classifications.

**STANDARD SIZES
NOMINAL DOOR OPENING**

WIDTH	HEIGHT
SINGLE	
2'-8"	6'-8" 7'-0" 7'-2" 7'-10" 8'-0"
2'-10"	
3'-0"	
3'-4"	
3'-6"	
3'-8"	
3'-10"	
4'-0"	

ATTACK RESISTANT doors are made full-flush or (optional) seamless style. Face sheets are commercial quality cold rolled steel conforming to ASTM A1008 ...or (optional) hot-dipped galvanized or galvanized steel conforming to ASTM A924 and A653 -- see chart below. Doors are center edge seams with intermittent spot welds. Doors have hairline seams on vertical edges and have no visible seams on faces. Doors specified "seamless" have no visible seams on faces or vertical edges (S.D.I. Model 2).

A one piece, polystyrene core is securely bonded to both face sheets under pressure with contact adhesive. The top and bottom door edges are closed with 16 gage steel channels welded to both face sheets.

Doors are provided with factory installed fire rated SG5FR attack resistant glass and applied type 8 glass kit.

PAIRS

NOT AVAILABLE

ATTACK RESISTANT frames for 1-3/4" doors are formed from commercial quality cold rolled steel conforming to ASTM A1008...or (optional) hot-dipped galvanized steel conforming to ASTM A924 and A653 – see chart below. (3) sided door frames are knocked down (K.D.) field assembled type or welded type. Head and jamb members of K.D. frames have diecut mitered corners that interlock rigidly when field assembled. Welded-in jamb anchors are required. Sidelite and borrowed lite frames have welded construction. Fire rated attack resistant laminated SG5FR glass, Tremco 440 glazing tape and Dow Corning 995 silicone glazing compound is shipped loose for field installation in frame.

FIRE DOORS & FRAMES

<p>LABELLING AGENCY: ● WARNOCK HERSEY</p>
<p>TEST: UL10C, UL10B, UL9, & NFPA 252 ● RATING: 20 MIN. THRU 90 MIN.</p>
<p>NOT ALL RATINGS ARE AVAILABLE IN ALL SIZES, DESIGNS AND MATERIALS.</p>

Hardware Provisions: Hinge preparations are handed. Hinge edges are mortised for 4-1/2" or 5" high, standard or heavy weight hinges (specify which). 14 gage steel hinge channels are welded inside the door edge with extruded screw holes to provide thread depth equal to 10 gage plate. 7 gage steel hinge reinforcements are welded into frame jamb and are drilled and tapped for fasteners in accordance with ANSI A156.7. The lock edge has a standard bevel (1:16) and is prepared for one of the mortise locks shown on page D24-7. Optional surface mounted closer reinforcement is a 14 gage steel channel inside door and frame head. Plaster guards are provided at frame hinge and strike preps. The strike jamb is prepared for 4-7/8" universal strike in accordance with ANSI A115.1.

Paint: 1-3/4" steel doors and frames shall be provided with one coat of oven-cured neutral color primer paint. Primer coat shall conform with ANSI A250.10. The primer coat is a preparatory base for necessary finish painting. "Colorstyle" finish coat is also available for doors and KD frames from a selection of standard colors (optional). Colorstyle finish shall conform to ANSI A250.3. For accurate color selectors ask for a Ceco Colorstyle chart.

MATERIAL

DOOR FACE SHEETS	LEVEL	C.R.	GALV		RECOMMENDED DOOR FRAME MATERIAL
			A60	G90	
16 Gage Steel	Extra Heavy Duty	STD	OPT	OPT	16 or 14 Gage Steel
DOOR FRAME MATERIAL	LEVEL				
16 Gage Steel	Extra Heavy Duty	STD	OPT	OPT	
14 Gage Steel	Maximum Duty	STD	OPT	OPT	

PERFORMANCE

Physical Endurance /Level:	Meets ANSI A250.4 Performance Test, 16 Gage Doors, 16 & 14 Gage Frames: Level A (1,000,000 Cycles)
----------------------------	--

D24-12

10/17/19