

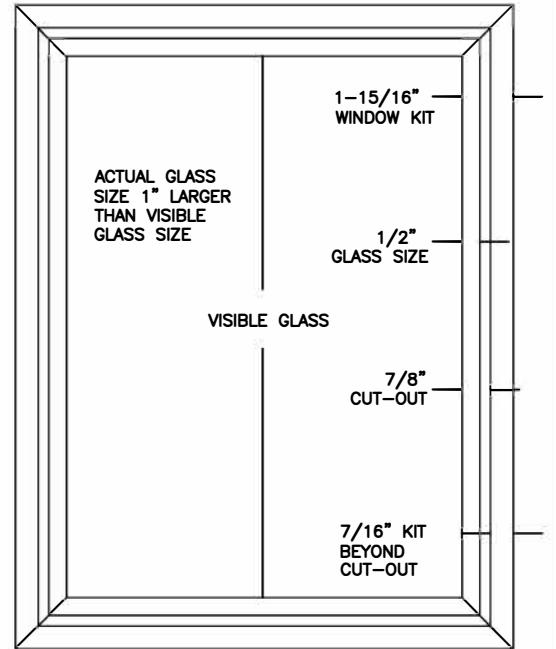
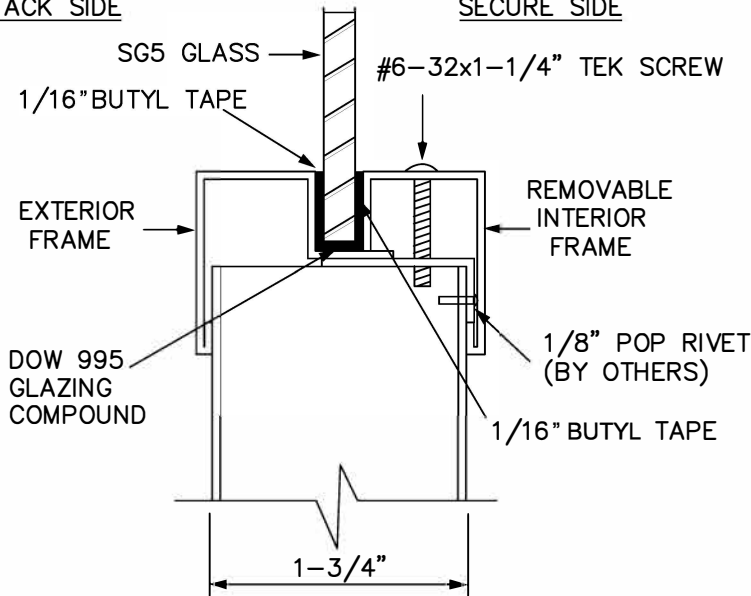
ASSA ABLOY

ATTACK RESISTANT RETRO-FIT TYPE 2 KIT FOR HOLLOW METAL DOORS

D24A-1

ATTACK SIDE

SECURE SIDE



- ATTACK RESISTANT RETROFIT KIT INCLUDES:
 - TYPE 2 LIGHT KIT FOR EXISTING HOLLOW METAL DOORS & SCHOOL GUARD GLASS SG5 ATTACK RESISTANT GLASS*
 - DOW 995 SILICONE GLAZING COMPOUND*
 - TREMCO 440 BUTYL TAPE TO BE APPLIED TO THE GLASS KIT INTERIOR & EXTERIOR SIDES*
- * GLASS & GLAZING SHIPS FROM A SEPARATE LOCATION.

TYPE 2 KIT	VISIBLE GLASS	CUTOUT SIZE	PART NUMBER
ARKMV	10" x 10"	11-3/4" x 1-3/4"	CD149692
ARKMV1212	12" x 12"	13-3/4" x 13-3/4"	CD150402
ARKMN616	6" x 16"	7-3/4" x 17-3/4"	CD151232
ARKMN636	6" x 36"	7-3/4" x 37-3/4"	CD152062
ARKMN333	3" x 33"	4-3/4" x 34-3/4"	CD154462
ARKMN424	4" x 24"	5-3/4" x 25-3/4"	CD155292
ARKMN520	5" x 20"	6-3/4" x 21-3/4"	CD156022
ARKMN624	6" x 24"	7-3/4" x 25-3/4"	CD156852
ARKMN630	6" x 30"	7-3/4" x 31-3/4"	CD157682
ARKMN425	4" x 25"	5-3/4" x 26-3/4"	CD158422
ARKMG (3'0" x 6'8")	23-13/16" x 28"	25-9/16" x 29-3/4"	CD159252
ARKMG (3'0" x 7'0")	23-13/16" x 32"	25-9/16" x 33-3/4"	CD160062
ARKMG (3'0" x 7'2")	23-13/16" x 34"	25-9/16" x 35-3/4"	CD160892
ARKMC	Custom Size Retro-Fit kits are available per Sq. Ft. of visible glass (3 sq ft min.)		

ATTACK RESISTANT RETRO-FIT KITS MUST BE USED WITH THE ATTACK RESISTANT COMPONENT MATERIALS AS SUPPLIED: CECO DOOR KITS, SG5 GLASS, APPROVED AND TESTED INSTALLATION COMPONENTS ONLY – NO SUBSTITUTIONS.

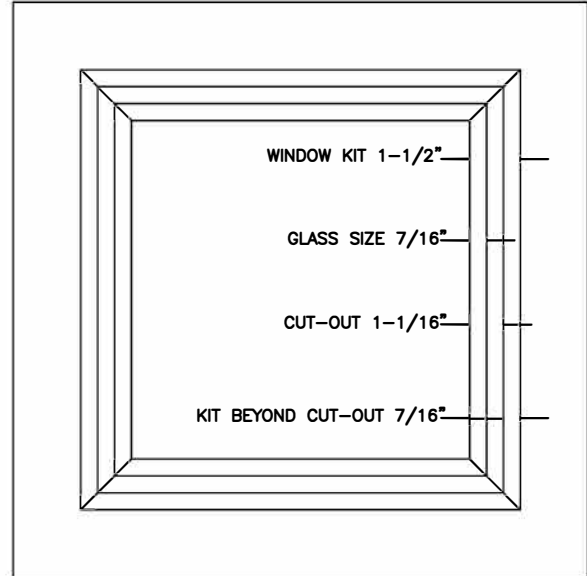
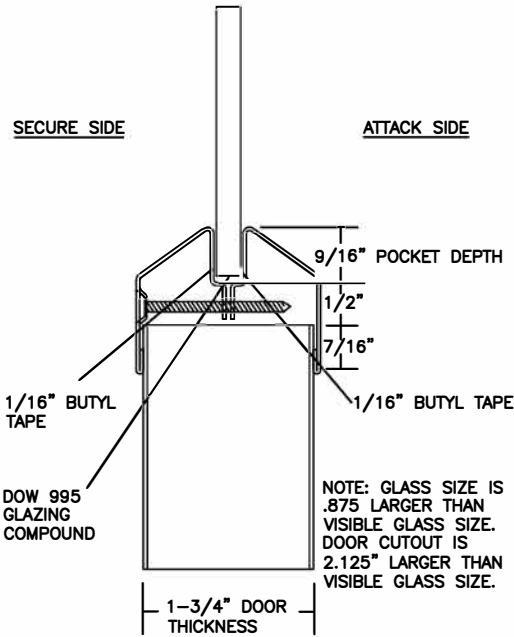
CECO AND SCHOOL GUARD GLASS ARE COMMITTED TO PROVIDING THE SAFEST AND MOST ROBUST MEANS AND METHODS FOR ATTACHMENT INTO COMPLETE FACTORY INSTALLED OEM ATTACK RESISTANT ASSEMBLIES AS WELL AS THE REPAIR, PARTIAL REPLACEMENT OR ENHANCEMENT OF EXISTING DOORS AND FRAMES. WE HAVE INDEPENDENT TESTING PARTIES REGULARLY TEST OUR INSTALLATION PROCEDURES AND PRODUCTS AS WELL AS THE FRAMES AND GLASS IT IS INSTALLED INTO. HOWEVER, PLEASE BE ADVISED THAT IT IS POSSIBLE THAT NOT ALL EXISTING DOORS, FRAMES, OR HARDWARE ON YOUR PROJECT HAVE BEEN TESTED TO OUR STANDARDS. FURTHERMORE, IF DOORS, WINDOWS OR HARDWARE ARE OLD, OF INFERIOR QUALITY, BROKEN OR PARTIALLY BROKEN, THEN THEY MAY NOT MEET THE TESTING OUTCOMES THAT NEW MATERIALS MEET. OUR PRODUCTS WILL NOT CAUSE YOUR EXISTING PRODUCTS TO BE LESS SECURE, BUT EXISTING PRODUCTS THAT ARE DEFECTIVE MAY REDUCE THE ABILITY OF OUR PRODUCTS TO MEET THEIR FULL POTENTIAL.

08/01/18

ASSA ABLOY

ATTACK RESISTANT RETRO-FIT TYPE 10 KIT FOR WOOD DOORS

D24A-2



- ATTACK RESISTANT RETROFIT KIT INCLUDES:**
- TYPE 10 LIGHT KIT FOR EXISTING WOOD DOORS & SCHOOL GUARD GLASS SG5 ATTACK RESISTANT GLASS*
 - DOW 995 SILICONE GLAZING COMPOUND*
 - TREMCO 440 BUTYL TAPE TO BE APPLIED TO THE GLASS KIT INTERIOR & EXTERIOR SIDES*
- * GLASS & GLAZING SHIPS FROM A SEPARATE LOCATION.

TYPE 10 KIT	VISIBLE GLASS	CUTOUT SIZE	PART NUMBER
ARKWV	10" x 10"	12-1/8" x 12-1/8"	CD137632
ARKWV1212	12" x 12"	14-1/8" x 14-1/8"	CD138472
ARKWN616	6" x 16"	8-1/8" x 18-1/8"	CD139202
ARKWN654	6" x 54"	8-1/8" x 56-1/8"	CD141672
ARKWN333	3" x 33"	5-1/8" x 35-1/8"	CD142412
ARKWN424	4" x 24"	6-1/8" x 26-1/8"	CD143242
ARKWN520	5" x 20"	7-1/8" x 22-1/8"	CD144072
ARKWN624	6" x 24"	8-1/8" x 26-1/8"	CD144802
ARKWN630	6" x 30"	8-1/8" x 32-1/8"	CD145632
ARKWN425	4" x 25"	6-1/8" x 27-1/8"	CD146472
ARKWG (3'0" x 6'8")	23-5/16" x 27-1/4"	25-7/16" x 29-3/8"	CD147202
ARKWG (3'0" x 7'0")	23-5/16" x 31-1/4"	25-7/16" x 33-3/8"	CD148032
ARKWG (3'0" x 7'2")	23-5/16" x 33-1/4"	25-7/16" x 35-3/8"	CD148862
ARKWC	Custom Size Retro-Fit kits are available per Sq. Ft. of visible glass (3 sq ft min.)		

ATTACK RESISTANT RETRO-FIT KITS MUST BE USED WITH THE ATTACK RESISTANT COMPONENT MATERIALS AS SUPPLIED: CECO DOOR KITS, SG5 GLASS, APPROVED AND TESTED INSTALLATION COMPONENTS ONLY - NO SUBSTITUTIONS.

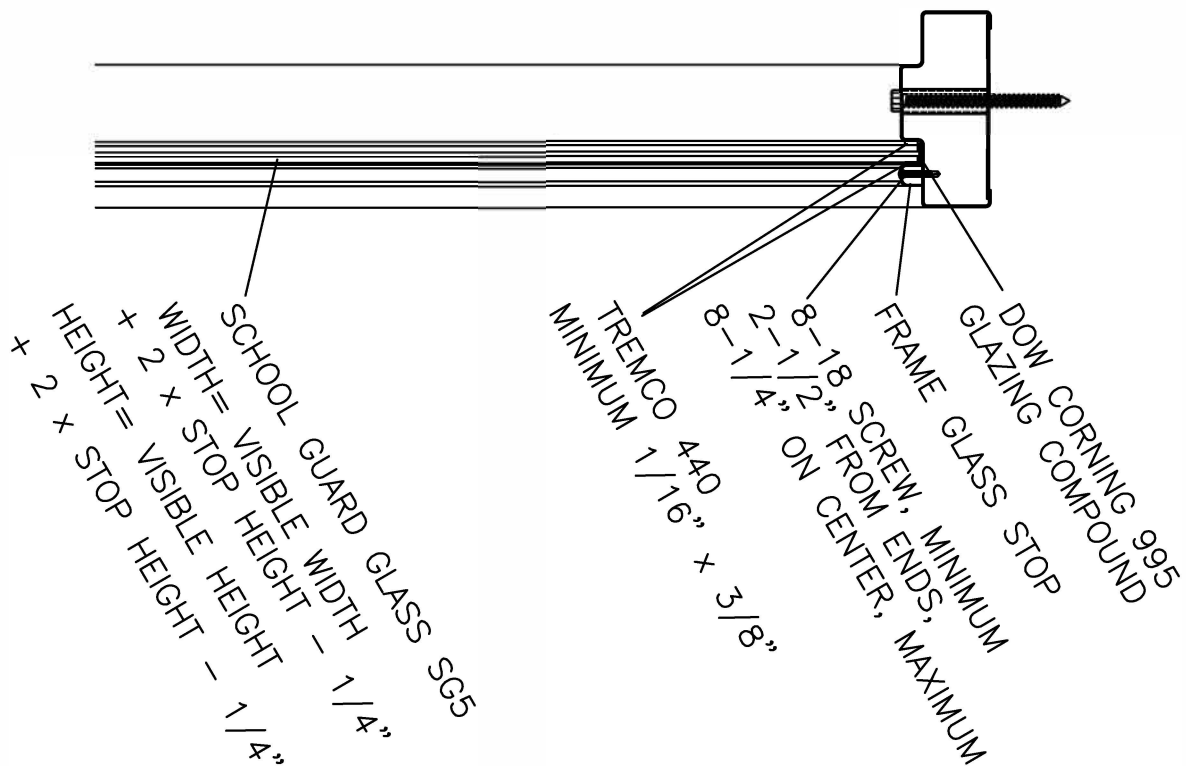
CECO AND SCHOOL GUARD GLASS ARE COMMITTED TO PROVIDING THE SAFEST AND MOST ROBUST MEANS AND METHODS FOR ATTACHMENT INTO COMPLETE FACTORY INSTALLED OEM ATTACK RESISTANT ASSEMBLIES AS WELL AS THE REPAIR, PARTIAL REPLACEMENT OR ENHANCEMENT OF EXISTING DOORS AND FRAMES. WE HAVE INDEPENDENT TESTING PARTIES REGULARLY TEST OUR INSTALLATION PROCEDURES AND PRODUCTS AS WELL AS THE FRAMES AND GLASS IT IS INSTALLED INTO. HOWEVER, PLEASE BE ADVISED THAT IT IS POSSIBLE THAT NOT ALL EXISTING DOORS, FRAMES, OR HARDWARE ON YOUR PROJECT HAVE BEEN TESTED TO OUR STANDARDS. FURTHERMORE, IF DOORS, WINDOWS OR HARDWARE ARE OLD, OF INFERIOR QUALITY, BROKEN OR PARTIALLY BROKEN, THEN THEY MAY NOT MEET THE TESTING OUTCOMES THAT NEW MATERIALS MEET. OUR PRODUCTS WILL NOT CAUSE YOUR EXISTING PRODUCTS TO BE LESS SECURE, BUT EXISTING PRODUCTS THAT ARE DEFECTIVE MAY REDUCE THE ABILITY OF OUR PRODUCTS TO MEET THEIR FULL POTENTIAL.

08/02/18

ATTACK RESISTANT RETRO-FIT SIDELIGHT & BORROWED LIGHT DETAILS

D24A-3

- **ATTACK RESISTANT SG5 GLASS FOR EXISTING SIDELIGHTS AND BORROWED LIGHTS**
- **DOW 995 SILICONE GLAZING COMPOUND AND TREMCO 440 BUTYL TAPE SHIPPED WITH THE GLASS**
- **SIDELIGHT GLASS SIZE**
- **6" X 10" - 47" X 92.75"**
- **BORROWED LIGHT GLASS SIZE**
- **3" X 10" - 95" X 47" GLASS HORIZONTAL ORIENTED**
- **3" X 10" - 47" X 95" GLASS VERTICAL ORIENTED**
- **CUSTOM SIZES AVAILABLE (3 SQ. FT. MIN.)**



ATTACK RESISTANT RETRO-FIT GLASS MUST BE USED WITH THE ATTACK RESISTANT COMPONENT MATERIALS AS SUPPLIED: SG5 GLASS, APPROVED AND TESTED INSTALLATION COMPONENTS ONLY - NO SUBSTITUTIONS.

CECO AND SCHOOL GUARD GLASS ARE COMMITTED TO PROVIDING THE SAFEST AND MOST ROBUST MEANS AND METHODS FOR ATTACHMENT INTO COMPLETE FACTORY INSTALLED OEM ATTACK RESISTANT ASSEMBLIES AS WELL AS THE REPAIR, PARTIAL REPLACEMENT OR ENHANCEMENT OF EXISTING DOORS AND FRAMES. WE HAVE INDEPENDENT TESTING PARTIES REGULARLY TEST OUR INSTALLATION PROCEDURES AND PRODUCTS AS WELL AS THE FRAMES AND GLASS IT IS INSTALLED INTO. HOWEVER, PLEASE BE ADVISED THAT IT IS POSSIBLE THAT NOT ALL EXISTING DOORS, FRAMES, OR HARDWARE ON YOUR PROJECT HAVE BEEN TESTED TO OUR STANDARDS. FURTHERMORE, IF DOORS, WINDOWS OR HARDWARE ARE OLD, OF INFERIOR QUALITY, BROKEN OR PARTIALLY BROKEN, THEN THEY MAY NOT MEET THE TESTING OUTCOMES THAT NEW MATERIALS MEET. OUR PRODUCTS WILL NOT CAUSE YOUR EXISTING PRODUCTS TO BE LESS SECURE, BUT EXISTING PRODUCTS THAT ARE DEFECTIVE MAY REDUCE THE ABILITY OF OUR PRODUCTS TO MEET THEIR FULL POTENTIAL.

08/01/18