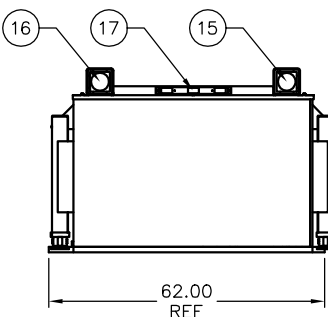
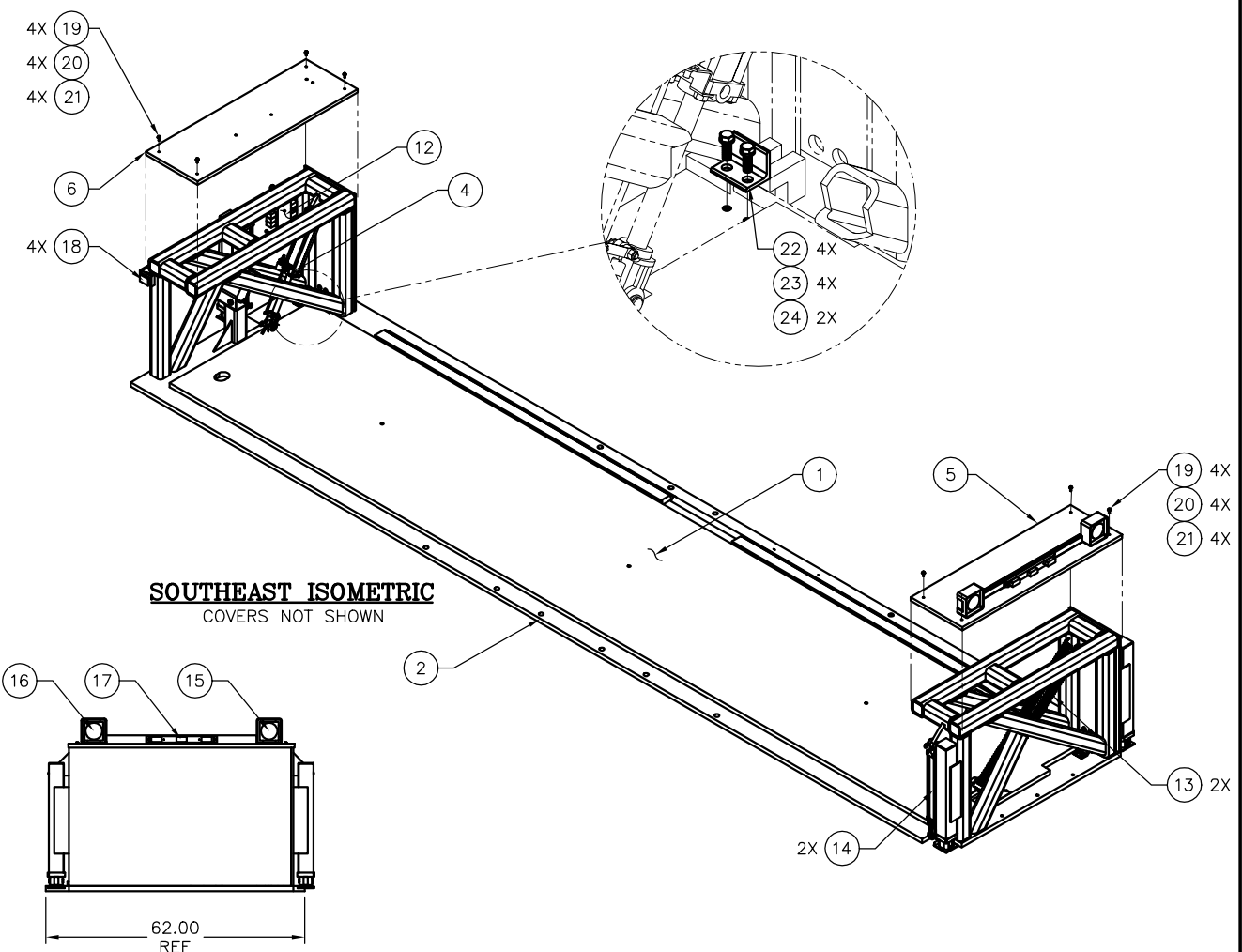


ITEM	REQ'D	DESCRIPTION/MATERIAL	CUT or SHEAR	W T EA	TOT WT	REF NO
1	1	MP5000 20' BARRIER PLATE WELDMENT	PART	4,512.9	4,512.9	13375
2	1	MP5000 20' ROAD PLATE WELDMENT	PART	8,721.6	8,721.6	13360
3	0	REMOVED	PART	-	-	-
4	1	3" TIE ROD CYLINDER, 10" STROKE, W/LIMIT SWITCH	PART	37.1	37.1	9056-XX
5	1	MP5000 REAR COVER, ASSEMBLY	PART	58.4	58.4	13134
6	1	MP5000 FRONT COVER, BUTTRESS	PART	42.1	42.1	9222-01
7	0	REMOVED	PART	-	-	-
8	0	REMOVED	PART	-	-	-
9	0	REMOVED	PART	-	-	-
10	0	REMOVED	PART	-	-	-
11	0	REMOVED	PART	-	-	-
12	1	HPU CONTROL VALVE, 3 SPOOL W/ DETENT	PART	15.0	15.0	MP5K-35
13	2	SPRING SPECIFICATIONS	PART	10.0	20.0	12255-7
14	2	2.5" BORE X 16" STROKE, TIE ROD CYLINDER CROSS	PART	35.0	70.0	MP5K-33
15	1	MP5000 CURB SIDE TAIL LIGHT	PART	2.0	2.0	MP5K-06
16	1	MP5000 ROAD SIDE TAIL LIGHT	PART	2.0	2.0	MP5K-07
17	1	MP5000 IDENTIFICATION LIGHT BAR	PART	2.0	2.0	MP5K-10
18	4	MP5000 AMBER CLEARANCE LIGHTS	PART	0.5	2.0	MP5K-09
19	8	1/4-20 X 1" LONG, HEX BOLT	PART	0.3	2.4	HHC14201
20	8	1/4", SPLIT LOCK WASHER	PART	0.3	2.4	WAS14SL
21	8	1/4", FLAT WASHER SAE	PART	0.3	2.4	WAS14SAE
22	4	1/2-13 X 1" LONG, HEX HEAD BOLT	PART	0.3	1.2	HHC12131
23	4	1/2", SPLIT LOCK WASHER SAE	PART	0.3	1.2	WAS12SAE
24	2	MP5000 BARRIER PLATE HINGE KEEPER	PART	0.8	1.6	9264
				TOTAL WEIGHT:	13,496.3	



E	ECO 2013-052	DCM		11/05/13
D	ECO 2012-080	M.C.	11/02/12	DCM 11/02/12
C	ECO 2011-129	M.C.	01/13/12	J.M. 01/24/12
B	ECO 2011-073	M.C.	4/29/11	
A	ECO 2011-041	J.M.	3/31/11	
REV.	DESCRIPTION	DRWN BY	DATE	APPVD BY DATE

<small>THIS DRAWING UNLESS OTHERWISE NOTED, REMAINS THE CONFIDENTIAL PROPERTY AND TRADE SECRET OF DELTA SCIENTIFIC CORPORATION. IT SHALL NOT BE DISCLOSED, REPRODUCED OR USED FOR MANUFACTURING, DESIGN OR CONSTRUCTION WITHOUT THE EXPRESS AUTHORIZATION OF DELTA SCIENTIFIC CORPORATION. THE RECIPIENT BY ACCEPTING THIS DRAWING, ASSUMES CUSTODY THEREOF AND UNDER THE ABOVE TERMS AGREES NOT TO ALLOW USE OF BY UNAUTHORIZED PERSONS.</small>		<small>UNLESS OTHERWISE NOTED DIMENSIONS ARE IN INCHES</small>	
<small>TOLERANCES .X = ±.060/FT .XX = ±.030/FT .XXX = ±.010/FT ANGLES = ±.5°</small>		<small>SURFACE FINISH 125</small>	
<small>REMOVE ALL BURRS &amp; BREAK SHARP EDGES .02 MAX</small>		<small>DELTA SCIENTIFIC CORPORATION 40355 DELTA LANE PALMDALE, CA 93551 U.S.A. (661) 575-1100 FAX (661) 575-1109</small>	
DRWN BY	DATE	DRAWING NO.	REV.
J. MANOR	2/28/11	13352	E
CHKD BY	DATE	SCALE:	SHEET
		1:22	1 OF 1