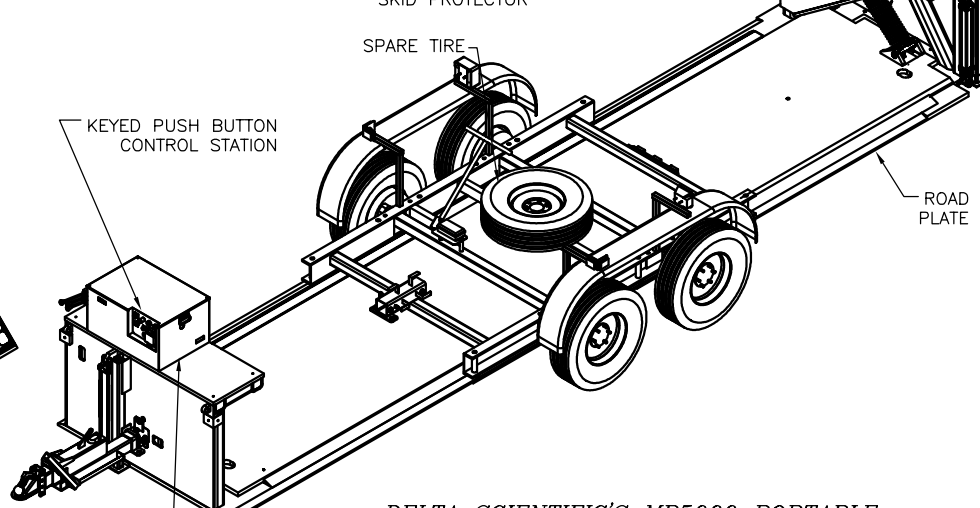
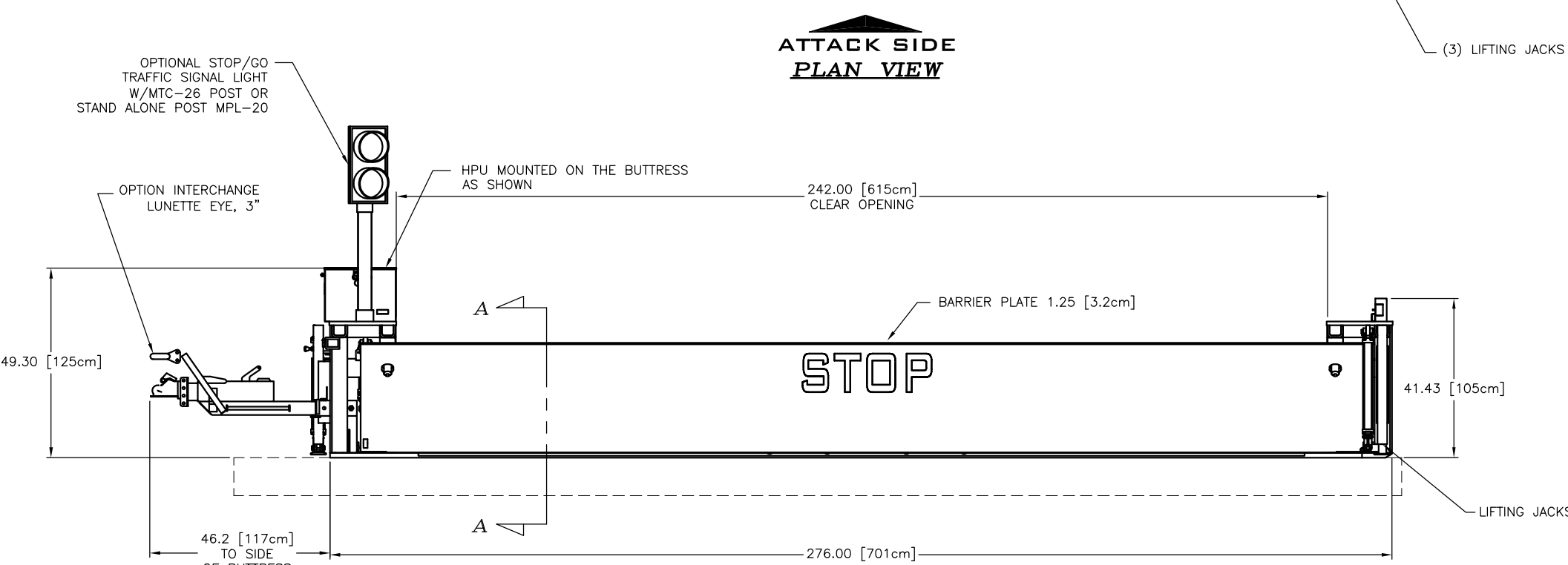
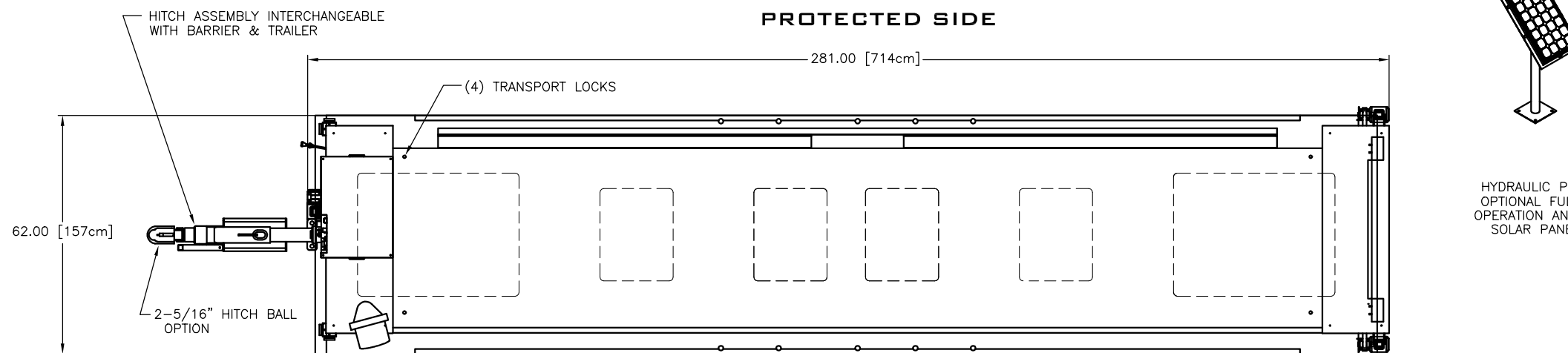
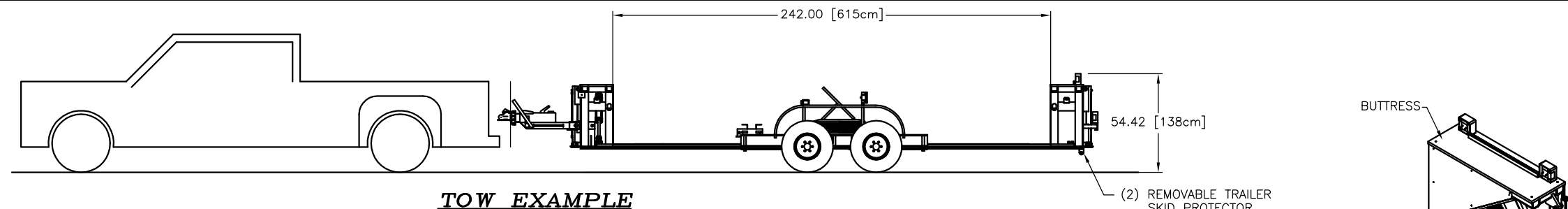


OPTIONS	PART NO.
HITCH BALL, 2-5/16"	2461-130
LUNETTE EYE, 3" (EU COMPLIANT)	2461-129
SOLAR PANEL ASSEMBLY	90593
CABLE KIT, 120 VOLTS, 60 Hz	9149-120
CABLE KIT, 220 VOLTS, 50 Hz	9149-220
TURN TABLE, BARRIER	9251
TURN TABLE ADAPTER	13520
REMOTE PUSH BUTTON STATION	MPL-4050-20'
TRAFFIC SIGNAL, DOWN L/S, MTC-26 (24")	B2050
FULLY DOWN LIMIT SWITCH (9056-3)	B2010
POST, SIGNAL LIGHT, 48" HIGH	MPL-20



OPTIONAL SOLAR PANEL CHARGER

KEYED PUSH BUTTON CONTROL STATION

HYDRAULIC POWER UNIT WITH OPTIONAL FULL REMOTE/LOCAL OPERATION AND INTEGRAL CHARGER SOLAR PANEL CONVERTER.

DELTA SCIENTIFIC'S MP5000 PORTABLE CRASH RATED BARRIER

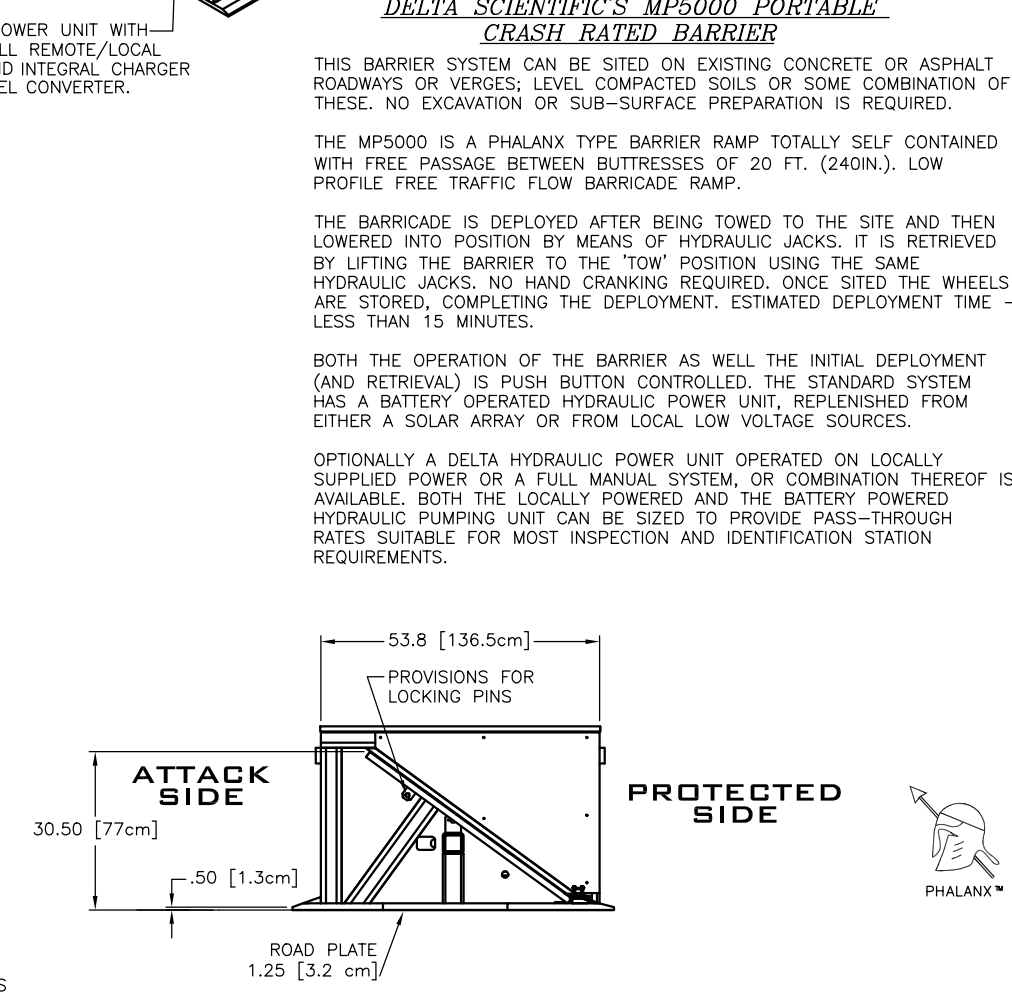
THIS BARRIER SYSTEM CAN BE SITED ON EXISTING CONCRETE OR ASPHALT ROADWAYS OR VERGES; LEVEL COMPACTED SOILS OR SOME COMBINATION OF THESE. NO EXCAVATION OR SUB-SURFACE PREPARATION IS REQUIRED.

THE MP5000 IS A PHALANX TYPE BARRIER RAMP TOTALLY SELF CONTAINED WITH FREE PASSAGE BETWEEN BUTTRESSES OF 20 FT. (240IN.). LOW PROFILE FREE TRAFFIC FLOW BARRICADE RAMP.

THE BARRICADE IS DEPLOYED AFTER BEING TOWED TO THE SITE AND THEN LOWERED INTO POSITION BY MEANS OF HYDRAULIC JACKS. IT IS RETRIEVED BY LIFTING THE BARRIER TO THE 'TOW' POSITION USING THE SAME HYDRAULIC JACKS. NO HAND CRANKING REQUIRED. ONCE SITED THE WHEELS ARE STORED, COMPLETING THE DEPLOYMENT. ESTIMATED DEPLOYMENT TIME - LESS THAN 15 MINUTES.

BOTH THE OPERATION OF THE BARRIER AS WELL THE INITIAL DEPLOYMENT (AND RETRIEVAL) IS PUSH BUTTON CONTROLLED. THE STANDARD SYSTEM HAS A BATTERY OPERATED HYDRAULIC POWER UNIT, REPLENISHED FROM EITHER A SOLAR ARRAY OR FROM LOCAL LOW VOLTAGE SOURCES.

OPTIONALLY A DELTA HYDRAULIC POWER UNIT OPERATED ON LOCALLY SUPPLIED POWER OR A FULL MANUAL SYSTEM, OR COMBINATION THEREOF IS AVAILABLE. BOTH THE LOCALLY POWERED AND THE BATTERY POWERED HYDRAULIC PUMPING UNIT CAN BE SIZED TO PROVIDE PASS-THROUGH RATES SUITABLE FOR MOST INSPECTION AND IDENTIFICATION STATION REQUIREMENTS.



DESCRIPTION	WEIGHTS	
BARRIER ONLY	12,811 lbs	5,811 kg
TRAILER ONLY	1,410 lbs	640 kg
BARRIER W/TRAILER	14,221 lbs	6,451 kg

THIS DRAWING UNLESS OTHERWISE NOTED, REMAINS THE CONFIDENTIAL PROPERTY AND TRADE SECRET OF DELTA SCIENTIFIC CORPORATION. IT SHALL NOT BE DISCLOSED, REPRODUCED OR USED FOR MANUFACTURE, DESIGN OR CONSTRUCTION WITHOUT THE EXPRESS AUTHORIZATION OF DELTA SCIENTIFIC CORPORATION. THE ACQUIROR BY ACCEPTING THIS DRAWING, ASSUMES CUSTODY THEREOF AND UNDER THE ABOVE TERMS AGREES NOT TO ALLOW USE OF BY UNAUTHORIZED PERSONS.

UNLESS OTHERWISE NOTED DIMENSIONS ARE IN INCHES

TOLERANCES
.X = ±.250/FT
.XX = ±.125/FT
.XXX = ±.063/FT

DELTA SCIENTIFIC CORPORATION
40355 DELTA LANE
PALMDALE, CA 93551 U.S.A.
(661) 575-1100 FAX (661) 575-1109

DELTA

MP5000 20' PORTABLE ROADWAY BARRIER GENERAL ARRANGEMENT

DRWN BY J. MANOR	DATE 1/4/11	DRAWING NO. 90122	REV. -
CHKD BY	DATE	SCALE: N.T.S.	SHEET 1 OF 1
APPVD BY	DATE		

© 1996 ALL RIGHTS RESERVED

1. OPTION B2050 SELECT MTC-26, 24" HIGH BARRIER MOUNT OR MPL-20, 48" HIGH OFF BARRIER MOUNT.
NOTES: