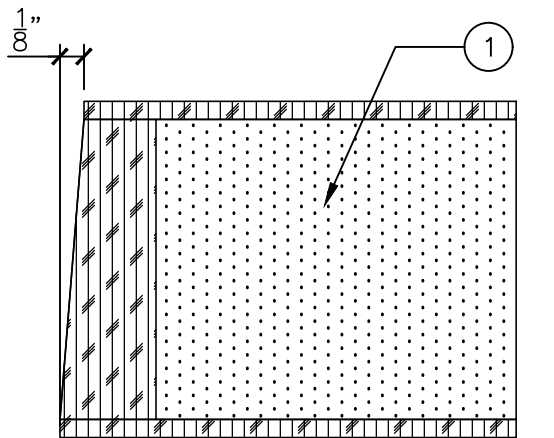
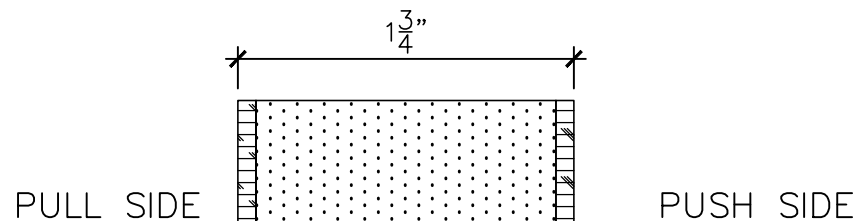
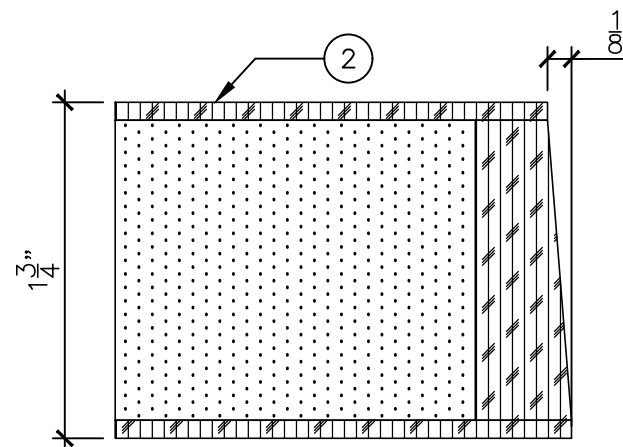


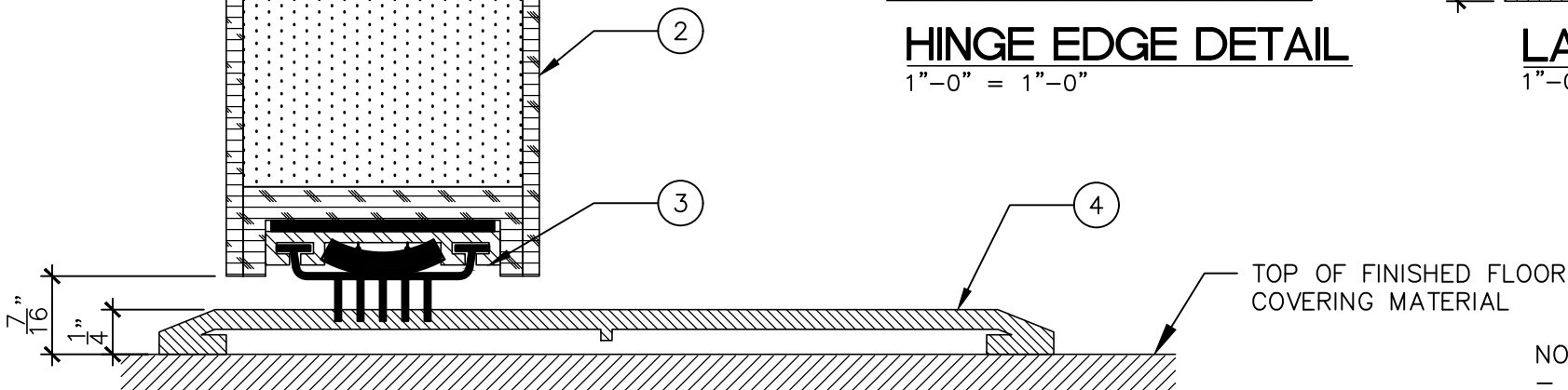
TOP DETAIL
1"-0" = 1"-0"



HINGE EDGE DETAIL
1"-0" = 1"-0"



LATCH EDGE DETAIL
1"-0" = 1"-0"



DOOR BOTTOM DETAIL
1"-0" = 1"-0"

- LEGEND:
1. FIRE RATED ACOUSTIC CORE.
 2. WOOD CLADDING/VENEER.
 3. ACOUSTIC DOOR BOTTOM SEAL.
 4. 1/4" HIGH X 5" WIDE ACOUSTIC THRESHOLD
INSTALLED AT TOP LEVEL OF FLOOR COVERING MATERIAL.
 5. ACOUSTIC BUMPER SEAL INSTALLED AT TOP OF THRESHOLD.

- NOTES:
- ALL DOORS INCLUDE FACTORY PRE-MACHINING FOR HARDWARE.
 - ALL DOORS INCLUDE FACTORY SEALING OF EDGES.
 - FACTORY PRE-FINISHING IS OPTIONAL.
 - SPECIFIED FACTORY FINISH TO BE: ____



DRAWING TITLE:
**WOOD CLAD ACOUSTIC DOOR - FIRE RATED
STC 30 TO STC 40**

DATE: 2022-09-23
DRAWN BY: GV
REVISION: 1