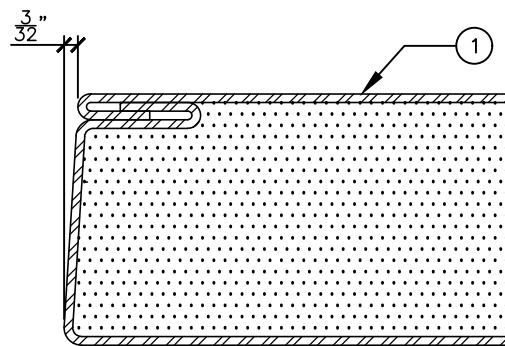


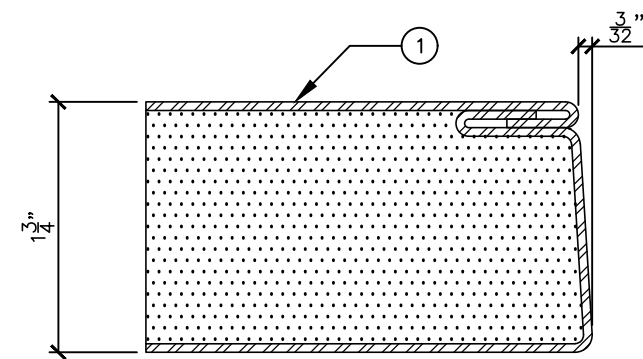
**TOP DETAIL**

3/4" = 1"



**HINGE EDGE DETAIL**

3/4" = 1"

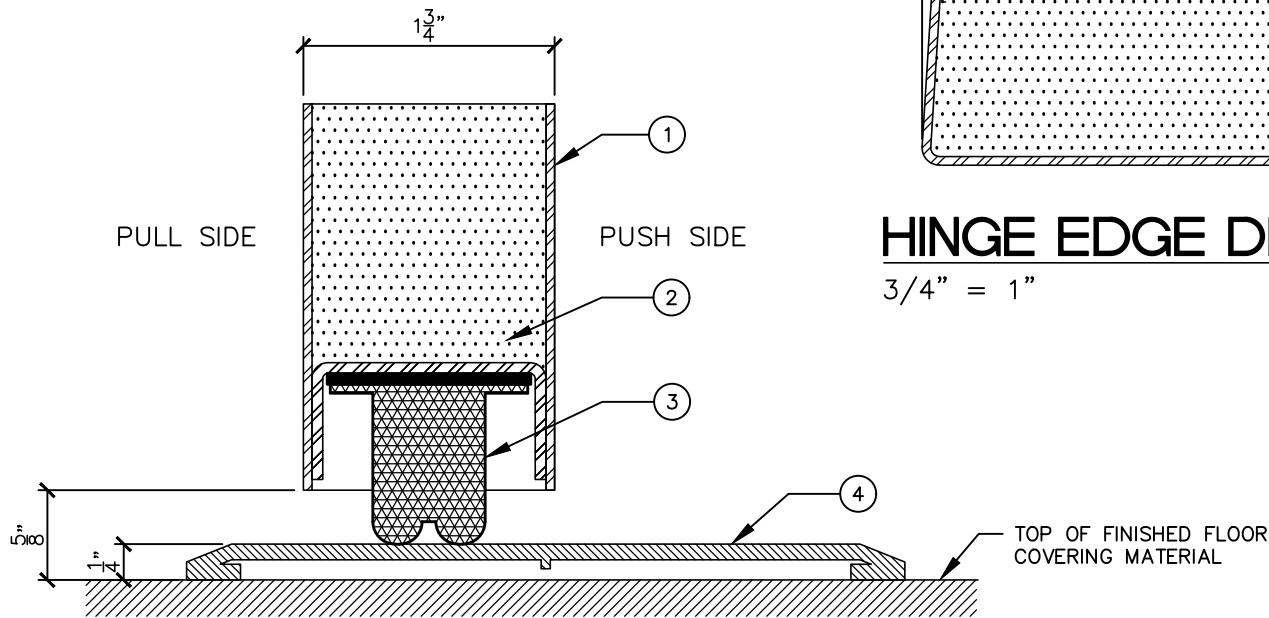


**LATCH EDGE DETAIL**

3/4" = 1"

**LEGEND:**

1. ACOUSTIC STEEL DOOR.
2. ACOUSTIC CORE.
3. MORTISED DROP DOOR BOTTOM SEAL.
4. 1/4" HIGH X 5" WIDE ACOUSTIC THRESHOLD TO BE INSTALLED AT TOP LEVEL OF FINISHED FLOOR COVERING MATERIAL.



**DOOR BOTTOM DETAIL**

3/4" = 1"



DRAWING TITLE:

ACOUSTIC STEEL DOOR AND DOOR BOTTOM  
FROM STC 30 TO STC 38

DATE: 2022-09-19

DRAWN BY: GV

REVISION: 1